



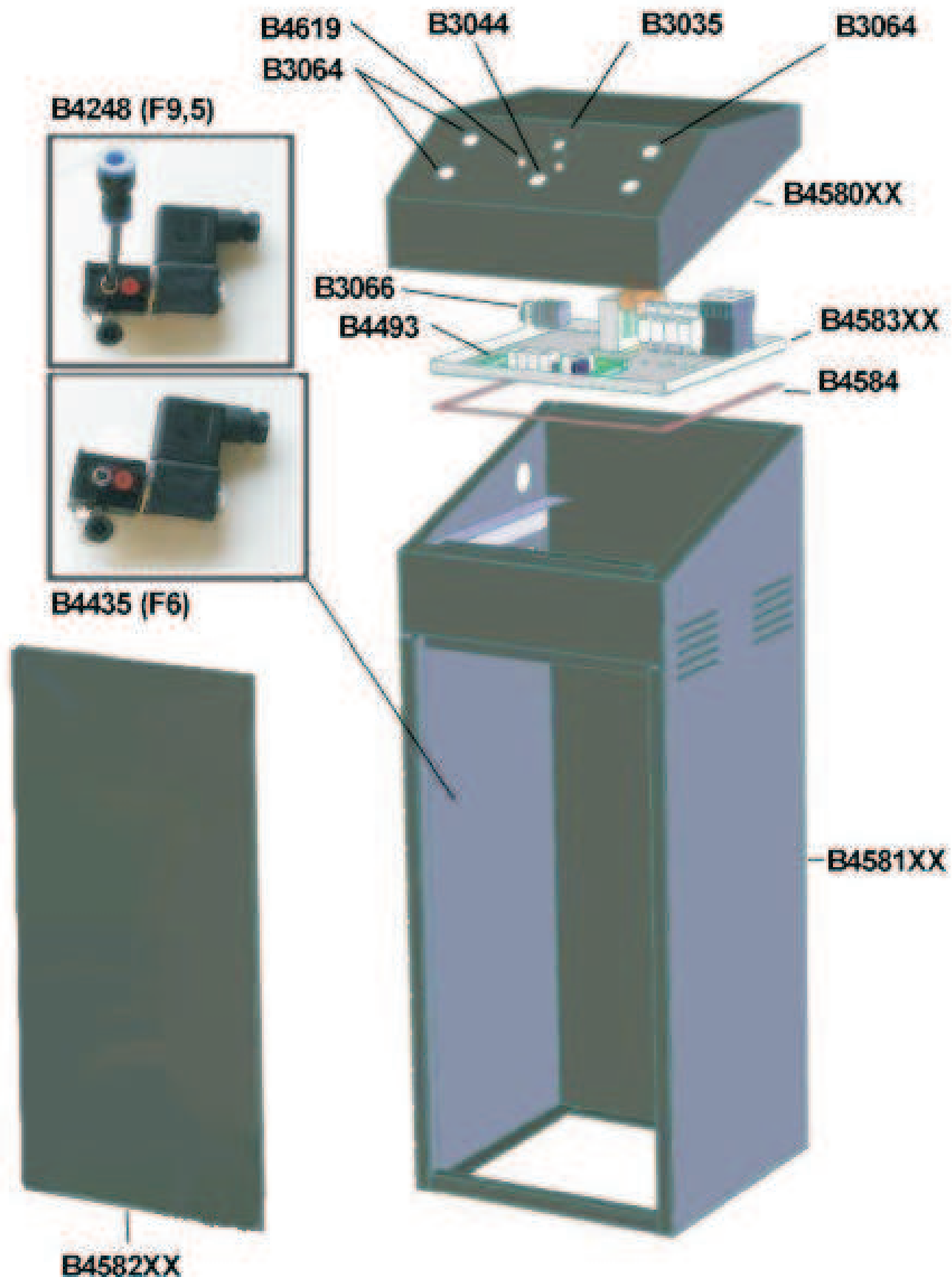
QUADRO DI COMANDO

CONTROL BOX

STEUERTAFEL

TABLEAU DE COMMANDE

PANEL DE MANDO



# CENTRALINA OLEODINAMICA

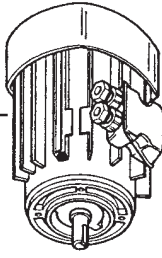
OLEODYNAMIC CONTROL UNIT

HYDRAULIKEINHEIT

CENTRALE HYDRAULIQUE

CENTRALITA HIDRAULICA

S6000 - 400/50TR  
B4424 - 230/50MN  
B4418 - 208/60MN



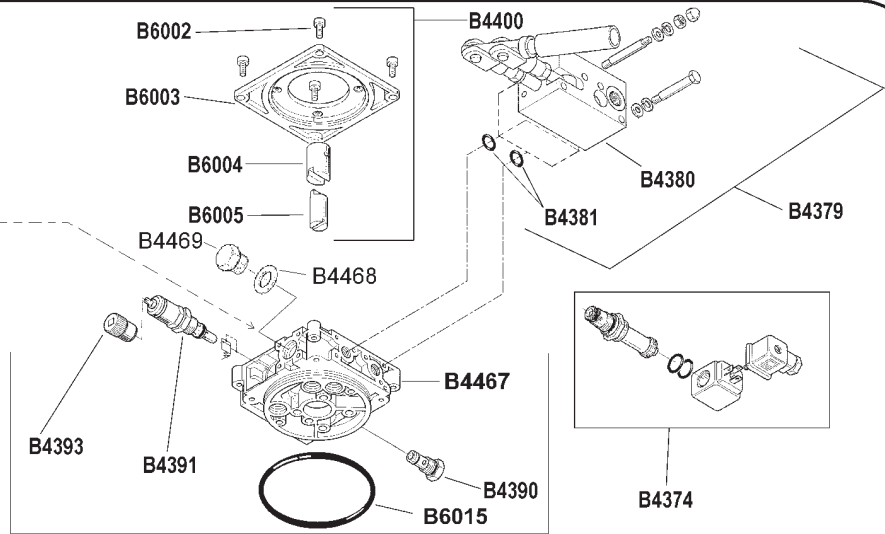
3 ton  
B4372 (F6)

3,6 ton  
B4230 (F9,5)



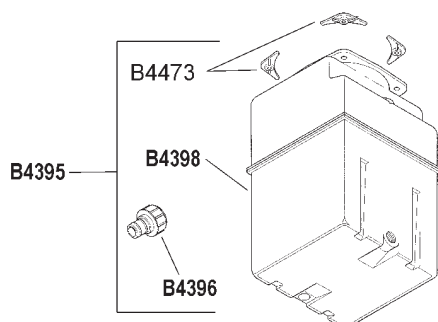
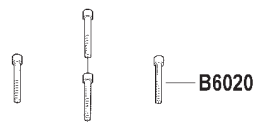
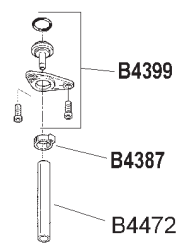
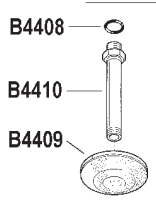
3 ton  
B4385 (F6)

3,6 ton  
B4384 (F9,5)



B4466

B6016



Part Code	Sugg	Descrizione	Description	Beschreibung	Description	Denominacion
A0231		DADO ALTO M10 6S UNI 5587 ZB	NUT M10	MUTTER M10	ECROU HAUT M10 6S UNI 5587 ZB	TUERCA ALTA M10 ZINCADA
A0418		GRANO M8X10	DOWEL M8X10 UNI 5927	SCHRAUBE STEI M8X10 UNI 5927	VIS SANS TÊTE M8X10 UNI 5927	GRANO M8X10
A0444		SEEGER E25 UNI 7435	SEEGER E25 UNI 7435	SEEGER E25 UNI 7435	ANNEAU ÉLASTIQUE ØE 25	ARO ELÁSTICO ØE 25
A0509		RACCORDO DIRITTO FEMMINA G 1/8 " - Ø4X2	FEMALE STRAIGHT FITTING G 1/8"Ø4/2	GERADER MUTTERANSCHLUSS G1/8"-Ø4X2	RACCORD DROIT FEMELLE G 1/8 " - Ø4X2	UNIÓN RECTA HEMBRA G 1/8 " - Ø4X2
A0511		TUBO RILSAN 4 L=30	RILSAN PIPE Ø4X2	RILSAN-SCHLAUCH Ø4X2	TUYAU RILSAN Ø4X2	TUBO RILSAN Ø4X2
A0527		RACCORDO RAPIDO DRITTO M 1/8"-Ø 4/2	STRAIGHT CONNECTION M1/8"-Ø4/2	SCHNELL GERADER ANSCHLUSS M1/8"-Ø4/2	RACCORD DROIT MÂLE G 1/8" - Ø4X2	UNIÓN RECTA MACHO G 1/8" - Ø4X2
A0723		VITE TCEI M8X20 UNI 5931	SCREW TCEI M8X20 UNI 5931	SCHRAUBE TCEI M8X20 UNI 5931	VIS TCHC M8X20 UNI 5931	TORNILLO TCEI M8X20 UNI 5931
A0802		RACCORDO A "T" INTERMEDIO Ø 4X2	"T" CONNECTION Ø4X2	MITTLERER T-ANSCHLUSS Ø4	RACCORD EN T INTERMÉDIAIRE Ø4	UNIÓN "T" INTERMEDIA Ø4
B0007		DADO M8 UNI 5587	NUT M8 UNI 5587	MUTTER M8 UNI 5587	ÉCROU M8 UNI 5587	TUERCA M8 UNI 5587
B0036		RONDELLA	WASHER	SCHEIBE	RONDELLE	ARANDELA
B0055		VITE TSPEI M10X25 UNI 5933	SCREW TSPEI M10X25 UNI5933	SECHSSCHRAUBE MIT INNENSECHSKANT M10X25 UNI 5933	VIS STHC M10X25 UNI 5933	TORNILLO TSPEI M10X25
B3021		BOCCOLA AUTOLUBR. 30X34X40	SELF-LUBRIFICATING BUSHING Ø30X34X40	SELBSTSCHMIERENDE BUCHSE D 30 X 34 X 40	DOUILLE AUTOLUBRIFIANTE Ø30X34X40	CASQUILLO AUTOLUBRIC. 30X34X40
B3035	*	INTERRUTTORE GENERALE	MAIN SWITCH	HAUPTSCHALTER	INTERRUPTEUR GÉNÉRAL	INTERRUPTOR GENERAL
B4374	*	ELETTROVALVOLA DISCESA COMPL.	DOWN ELECTRO-VALVE	ELEKTROMAGNETVENTIL „ ABSENKEN „	ELECTROVANNE DE DESCENTE	ELECTROVALVULA DE DESCENSO
B3044	*	LAMPADA PER SEGNALE LUMINOSO	PILOT LAMP	KONTROLLEUCHTE	LAMPE POUR VOYANT LUMINEUX	LAMPARA DE SEÑALIZACION
B3050	*	FUSIBILE DI LINEA 10X38 8A	LINE FUSE 10X36 8A AM	STEUERSICHERNUG	FUSIBLE D'ALIMENTATION	FUSIBILE DE LINEA
B3051	*	FUSIBILE PRIMARIO 10X38 1A	MAIN FUSE 10X36 0,5A GG	HAUPTSICHERUNG	FUSIBLE PRIMAIRE	FUSIBILE PRINCIPAL 500MA
B3054		PONTE RADDRIZZATORE	BRIDGE RECTIFIER	BRÜCKENGLEICHRICHTER	PONT REDRESSEUR	PUENTE ENDEREZADOR
B3055		RELÈ TEMPORIZZATORE	TIMER RELAY	ZEITRELAIS	RELAIS TEMPORISÉ	RELÉ TEMPORIZADOR
B3064	*	PULSANTE SALITA-DISCESA +CONTATTI	UP DOWN PUSH-BUTTON	DRUCKSCHALTER ANHEBEN ABSENKEN"	POUSSOIR DE MONTÉE - POUSSOIR DE DESCENTE	BOTON SUBIDA-DESCENSO
B3066	*	PULSANTE ESCLUSIONE FOTOCPELLULA	PHOTOCELL CUT OUT PUSH-BUTTON	SCHALTER FOTOZELLE UND UNTERER BEGRENZUNGSENDSCHALTER AUßE	POUSSOIR D'EXCLUSION CELLULE PHOTOÉLECTRIQUE ET F.C.	BOTON DE EXCLUSION FOTOCPELLULA
B3074	*	RIFRANGENTE	REFRACTING	REFLEKTOR FOTOZELLE	PLAQUETTE REFLECTORISÉE	REFLECTANTE
B3081		NIPPLO M-M 1/4 IDRAULICA	1/4" NIPPLES	DOPPEL GEWINDENIPPEL 1/4"	NIPPLE 1/4"	NIPLE M-M 1/4 HIDRAULICA
B3086		VALVOLA PARACADUTE	PARACHUTE VALVE	SICHERHEITSVENTIL	CLAPET PARACHUTE	VALVULA PARACAIDAS
B3095	*	SENSORE FINECORSA ALTO	SENSOR, HIGH POSITION	AUSGLEICHSENSOR OBERE POSITION ERREICHT	CAPTEUR FIN DECOURSE HAUT	SENSOR FINAL DE CARRERA DE ARRIBA
B3116	*	CILINDRO PNEUMATICO	PNEUMATIC CYLINDER	PNEUMATIK ZYLINDER	VÉRIN PNEUMATIQUE COMPLET	CILINDRO COMPLETO AIRE
B3118	*	TELERUTORE MOT.K07MG10 24V CC S/R	CONTACTOR	FERNSCHALTER	TÉLÉRUPTEUR	CONTACTO
B3527		CILINDRO P1 FREN.DI85 ST.R NEW	CYLINDER DI85	ZILINDER DI85	VERIN DI85	CILINDRO DI85
B3528		CILINDRO P2 DI.75 ST.R NEW	CYLINDER DI75	ZILINDER DI75	VERIN DI75	CILINDRO DI75

B3529	*	KIT GUARNIZIONI CILINDRO P1	GASKETS KIT	DICHTUNGSSATZ	JEU DE JOINTS	JUEGO DE JUNTAS
B3530	*	KIT GUARNIZIONI CILINDRO P2	GASKETS KIT	DICHTUNGSSATZ	JEU DE JOINTS	JUEGO DE JUNTAS
B4230		CENTRALINA IDRAULICA (F9,5)	HYDRAULIC UNIT (F9,5)	PUMPE MC2 (F9,5)	CENTRALE MC2 (F9,5)	CENTRALITA OLEODINÁMICA (F9,5)
B4248	*	KIT ELETTOVALVOLA COMPLETA 3/2S36	SOLENOID VALVE KIT	SET MAGNETVENTIL	KIT ÉLECTROVANNE	KIT ELECTROVALVULA
B4301XX		LEVA SUPERIORE INTERNA	UPPER INSIDE ARM	OBERER INNERER HEBEL	LEVIER SUPERIEUR INTERNE	PALANCA SUP. INT.
B4302XX		LEVA SUPERIORE ESTERNA	UPPER OUTSIDE ARM	OBERER AEUSSERER HEBEL	LEVIER SUPERIEUR EXTERNE	PALANCA SUP. EXT.
B4303XX		LEVA INFERIORE INTERNA	LOWER INSIDE ARM	UNTERER INNERER HEBEL	LEVIER INFERIEUR INTERNE	PALANCA INF. INT.
B4305XX		LEVA CORTA PRIMO DISTACCO	SHORT ARM	HEBEL	LEVIER COURTE	PALANCA CORTA
B4309		RUOTA ZB	WHEEL	STUETZROLLE	ROUE	RUEDA
B4310		RULLO SPINTA	ROLLER	ROLLE	ROULEAU	RODILLO EMPUJE
B4311		PERNO RULLO SPINTA	ROLLER PIN	BOLZEN ROLLE	AXE GALET POUSSOIR	PERNO RODILLO DE EMPUJE
B4312		PERNO STELO CILINDRO	ROD-CYLINDER PIN	BOLZEN FUER ZYLINDERSCHAFT	AXE TIGE-VERIN	PERNO VASTAGO-CILINDRO
B4313		PERNO INTERNO LEVE SUPERIORI	UPPER ARMS PIN	BOLZEN OBERER AEUSSERER HEBEL	AXE INTERNE BRAS CISEAUX	PERNO PALANCAS SUP.
B4314		PERNO INTERNO LEVE INFERIORI	DOWNER ARMS PIN	BOLZEN UNTERER INNERER HEBEL	AXE LEVIER INFERIEUR	PERNO PALANCAS
B4315		PERNO ESTR.LEVE INTERNE	INTERNAL ARMS PIN	BOLZEN INNERER HEBEL	AXE LEVIER INTERNE	PERNO PALANCAS INT.
B4316		PERNO ESTR.LEVE ESTERNE	EXTERNAL ARMS PIN	BOLZEN UNTERER HEBEL	AXE LEVIER EXTERNE	PERNO PALANCAS EXT.
B4317XX		PUNTONE SICUREZZA	MECHANICAL SAFETY DEVICE HOOK	MECHANISCHE SICHERHEITSKLINKE	CRÉMAILLÈRE MOBILE	POSTE DE SEGURIDAD
B4318XX		SICUREZZA CILINDRO DE100	SAFETY CYLINDER DE100	SICHERHEITS ZYLINDER DE100	SÉCURITÉS VERIN DE100	SEGURIDAD CILINDRO DE100
B4319XX		SICUREZZA CIL.DE90 STR.R	SAFETY CYLINDER DE90	SICHERHEITS ZYLINDER DE90	SÉCURITÉS VERIN DE90	SEGURIDAD CILINDRO DE90
B4320		PERNO LEVA INFERIORE INT-BAS. ZB	PIN FOR LOWER INSIDE ARM	BOLZEN HEBEL UNTERER	AXE LEVIER INFERIEUR INTERNE	PERNO PALANCA INF. INT.
B4321		PERNO LEVA SUPERIORE INT-PIA. ZB	PIN FOR UPPER INSIDE ARM	BOLZEN HEBEL AEUSSERER	AXE LEVIER SUPERIEUR INTERNE	PERNO PALANCA SUP. INT.
B4322		PERNO CILINDRO LEVA INF-INT. ZB	INTERNAL LOWER ARM CYLINDER PIN	BOLZEN ZILINDER	AXE VERIN LEVIER INF-INT.	PERNO CILINDRO PALANCA INF-INT.
B4327		PORTASENSORE	SENSOR SUPPORT	HALTER AUSGLEICHSSENSOR	SUPPORT CAPTEUR	SOPORTE SENSOR
B4328		SUPPORTO RACCORDO ARIA ST.R ZB	AIR FITTING SUPPORT	HALTER ABSTIEGSREGLER	SUPPORT RACCORD AIR	SOPORTE RACOR AIRE
B4329		SUPPORTO VITE REGISTRO SENSORE NERO	SENSOR ADJUSTING SCREW SUPPORT	HALTER SCRAUBE AUSGLEICHSSENSOR	SUPPORT VIS RÉGLAGE CAPTEUR	SOPORTE TORNILLO SENSOR
B4331		BOCCOLA AUTOLUBRIFICANTE 28X32X25	SELF-LUBRIFICATING BUSHING 28X32X25	SELBSTSCHMIERENDE BUCHSE 28X32X25	DOUILLE 28X32X25	CASQUILLO AUTOLUBRIC. DIAM. 28X32X25
B4332		BOCCOLA AUTOLUBRIFICANTE 25X28X25	SELF-LUBRIFICATING BUSHING 25X28X25	SELBSTSCHMIERENDE BUCHSE 25X28X25	DOUILLE 25X28X25	CASQUILLO AUTOLUBRIC. DIAM. 25X28X25
B4333		BOCCOLA AUTOLUBRIFICANTE 25X28X20	SELF-LUBRIFICATING BUSHING 25X28X20	SELBSTSCHMIERENDE BUCHSE 25X28X20	DOUILLE 25X28X20	CASQUILLO AUTOLUBRIC. DIAM. 25X28X20
B4337		RUBINETTO ALTA PRESSIONE	HIGH PRESSURE COCK	ABLAßHAHN	ROBINET HAUTE PRESSION	LLAVE ALTA PRESION
B4338		RACCORDO "T" F-F 1/4G.ID.	"T" CONNECTION	ANSCHLUSSKEGEL "T"	RACCORD "T"	CONEXION "T"
B4343		RACCORDO "L" M-F GIREVOLE 1/4	"L" CONNECTION M-F 1/4"	ANSCHLUSSKEGEL "L" M-F 1/4"	RACCORD "L" M-F 1/4"	CONEXION "L" M-F 1/4
B4344		TUBO RILSAN 4X2	RILSAN HOSE DI20	SCHLAUCH Ø4X2	TUYAU RILSAN Ø4X2	TUBO RILSAN 4X2
B4346		GHIERA AUTOBLOCCANTE M20X1X13	RING NUT	NUTMUTTE M20X1X13	BAGUE AUTOBLOQUANTE	VIROLA AUTOBLOQUEANTE
B4348		TAPPO M1/4G.ID.	PLUG M1/4	DECKEL M1/4	BOUCHON M1/4	TAPON M1/4

B4354		VITE TCCE M5X60 UNI 5931 ZB	SCREW TCCE M5X60	SCRAUBE M5X60	VIS TCCE M5X60	TORNILLO TCCE M5X60
B4372		CENTRALINA IDRAULICA (F6)	HYDRAULIC UNIT MC2	PUMPE MC2	CENTRALE MC2	CENTRALITA OLEODINÁMICA MC2
B4374	*	KIT ELETTROVALVOLA	SOLENOID VALVE KIT	SET MAGNETVENTIL	KIT ÉLECTROVANNE	KIT ELECTROVALVULA
B4379		KIT BLOCCHETTO 341 POMPA A MANO	HAND PUMP BLOCK 341 KIT	HANDPUMPE 341 IM SET	ENSEMBLE POMPE MANUELLE DE SECOURS	JUEGO BLOQUE BOMBA MANUAL 341
B4380		BLOCCHETTO 554 POMPA A MANO	HAND PUMP BLOCK 554	HANDPUMPE 541	CORPS POMPE MANUELLE DE SECOURS	BLOQUE BOMBA MANUAL 554
B4381		O'RING 14X1.78	O'RING	O'RING	JOINT TORIQUE	EMPAQUE
B4384		VALVOLA LT.9,5	VALVE LT.9,5	VENTIL LT.9,5	VANNE LT.9,5	VALVULA LT.9.5
B4385		VALVOLA LT.6	VALVE LT.6	VENTIL LT.6	VANNE LT.6	VALVULA LT 6
B4387		FASCETTA CLIC CC55090	CLIC CLAMP CC55090	SCHNAPPRING CC55090	COLLIER CC55090	ABRAZADERA CC55090
B4390	*	VALVOLA DI RITEGNO	CHECK VALVE	RUECKSCHLAGVENTIL	CLAPET ANTI-RETOUR	VALVULA DE NO RETROCESO
B4391	*	VALVOLA DI MASSIMA 150 BAR	MAX. PRESSURE VALVE 150 BAR	UEBERDRUCKVENTIL 150 BAR	CLAPET DE PRESSION MAX.150 BAR	VALVULA DE MAXIMA PRESION 150 BAR
B4393		TAPPO PROTEZIONE VALVOLA DI MASSIMA	MAX. PRESSURE VALVE PROTECTION PLUG	SCHUTZKAPPE FUER UEBERDRUCKVENTIL	COUVERCLE PROTECTION CLAPET PRESSION MAX	TAPON DE PROTECCION VALVULA DE MAX. PRESION
B4395		SERBATOIO COMPLETO LT.7 IN PLASTICA	COMPLETE PLASTIC TANK LT 7	BEÄHELTER	RESERVOIR COMPLET LT.7 EN PLASTIQUE	DEPOSITO DE PLASTICO COMPLETO LT 7
B4396		TAPPO SFIATO CON FILTRO	BLEED PLUG WITH FILTER	ENTLUEFTUNGSDECKEL MIT FILTER	BOUCHON RENIFLAR AVEC FILTRE	TAPON DE ESCAPE CON FILTRO
B4398		SERBATOIO LT.7 IN PLASTICA	TANK PVC	BEÄHELTER PVC	RESERVOIR PVC	DEPOSITO PVC
B4399		SEMIKIT CON RESCA X TUBO D.5X9	RUBBER RING HOLDER KIT FOR HOSE D. 5X9	SCHLAUCHHALTER D 5X9	ENSEMBLE RACCORDS POUR FLEXIBLE D.5X9	JUEGO PORTA-EMPAQUE DE GOMA P/ TUBOS D.5X9
B4400		KIT FISSAGGIO MOTORE	MOTOR FASTENING KIT	MOTOR-BEFESTIGUNGSSET	ENSEMBLE FIXATIONS MOTEUR	JUEGO SUJECION MOTOR
B4406		KIT SCARICO VALVOLA DI MAX	MAX. PRESSURE VALVE EXHAUST KIT	UEBERDRUCKVENTIL-ABLASS-SET	ENSEMBLE RETOUR CLAPET PRESSION MAX.	JUEGO DESCARGA VALVULA DE MAX. PRESION
B4407		KIT ASPIRAZIONE	SUCTION KIT	KOMPL. ANSAUGS-SATZ	ENSEMBLE ASPIRATION	JUEGO ASPIRACION
B4408		O'RING 18.77X1.78	O'RING	O'RING	JOINT TORIQUE	EMPAQUE
B4409		FILTRO PIATTO D.62 DA 3/8"	FLAT FILTER D.62 3/8"	FLACHFILTER D.62 3/8"	FILTRE PLAT	FILTRO PLANO
B4410		TUBO ASPIRAZIONE M/M G.3/8"	SUCTION PIPE	ANSAUGROHR	TUBE ASPIRATION	TUBO ASPIRACION
B4418	*	MOT.B14 208/60M 3KW G100	ELECTRIC MOTOR	ELEKTRO-MOTOR	MOTEUR ÉLECTRIQUE	MOTOR ELÉCTRICO
B4424	*	MOT.B14RID.230/50M 3KW G100 S3	ELECTRIC MOTOR	ELEKTRO-MOTOR	MOTEUR ÉLECTRIQUE	MOTOR ELÉCTRICO
B4435	*	KIT ELETTROVALVOLA COMPLETA 3/2 S R	SOLENOID VALVE KIT	SET MAGNETVENTIL	KIT ÉLECTROVANNE	KIT ELECTROVALVULA
B4436		KIT GRANO CIL.P1 FRENATO S.R				
B4451		BLOCCHETTO 2 FOTOCELLULE	PHOTOCELL	FOTOZELLE	PHOTOCELLULE	FOTOCELULA
B4452	*	MICROINTERRUTTORE SIC.FF4531-7DN	MICRO SWITCH	SICHERHEITS-MIKROSCHALTER	MICROINTERRUPTEUR DE SÉCURITÉ	MICROINTERRUPTOR DE SEGURIDAD
B4453		SUPPORTO MICRO	LIMIT SWITCHES SUPPORT	HALTER	SUPPORT	SOPORTE
B4455XX		BASE	BASE	GRUNDLAGE	CHÂSSIS	BASE
B4456		CAMMA AZIONAMENTO MICRO	CAM	NOCKE	CAME	EXCENTRICA
B4457XX		LEVA INFERIORE ESTERNA	LOWER OUTSIDE ARM	UNTERER AEUSSERER HEBEL	LEVIER INFERIEUR EXTERNE	PALANCA INF. EXT.

B4460XX		PEDANA SUPERIORE FTC	UPPER PLATFORM	AUFNAHMEPLATTFORM	PLATE-FORME SUPERIEURE	PLATAFORMA SUPERIOR
B4466		FLANGIA COMP."B"G1/4" 150/290B	COMPLETE FLANGE 150 BAR	KOMPL. FLANSCH 150 BAR	BRIDE COMPLETE 150 BAR	BRIDA COMPLETA 150 BAR
B4467		FLANGIA "B" MC G1/4"	FLANGE	FLANSCH	BRIDE	BRIDA
B4468		RONDELLA RAME 20X26X1,5	WASHER	SCHEIBE	RONDELLE	ARANDELA
B4469		TAPPO TEE M20X1,5 ACC.ZG	PLUG	DECKEL	BOUCHON	TAPÓN
B4471		TUBO SCARICO 3/8" L=270 POLIPR	EXHAUST PIPE 3/8" L=270 POLIPR	ABLASS-SCHLAUCH 3/8" L=270 POLIPR	TUYAU ÉVACUATION 3/8" L=270 POLIPR	TUBO DE DESCARGA 3/8" L=270 POLIPR
B4472		TUBO SCARICO ANTIBEN.5X8 L=380	EXHAUST PIPE 5X8 L=380	ABLASS-SCHLAUCH 5X8 L=380	TUYAU ÉVACUATION 5X8 L=380	TUBO DE DESCARGA 5X8 L=380
B4473		PIASTRINA SERRAGGIO SERB.PVC	TIGHTENING PLATE FOR TANK	TANKBEFESTIGUNGSPLATTE	PLAQUE FIXATION RESERVOIR	PLACA DE FIJACION DEL DEPOSITO
B4474		KIT ESCLUSIONE FOTOCELLULA X INCASSO	PHOTOCELL DISABLE MICROSITCH	MIKROSCHALTER FÜR DEN AUSSCHLUSS DER FOTOZELLE	MICRO-CONTACT EXCLUSION CELLULE PHOTOÉLECTRIQUE	MICRO EXCLUSIÓN FOTOCÉLULA
B4481XX		KIT RAMPA BASCULANTE DX	KIT BALANCE RAMP DX	AUFFAHR RAMPE DX	KIT RAMPE BASCULANTE DX	KIT RAMPA BASCULANTE DER
B4482XX		KIT RAMPA BASCULANTE SX	KIT BALANCE RAMP SX	AUFFAHR RAMPE SX	KIT RAMPE BASCULANTE SX	KIT RAMPA BASCULANTE SX
B4483XX		PUNTONE DX RAMPA	RIGHT STRUT	STREBE RS	POUSSARD DROITE	POSTE DE SEGURIDAD
B4484XX		PUNTONE SX RAMPA	LEFT STRUT	STREBE LS	POUSSARD GAUCHE	POSTE DE SEGURIDAD
B4485XX		RAMPA BASCULANTE DX	RAMP DX	RAMPE DX	RAMPE DX	RAMPA DX
B4486XX		RAMPA BASCULANTE SX	RAMP SX	RAMPE SX	RAMPE SX	RAMPA SX
B4487		PERNO X RAMPA	PIN	STIFT	AXE	PERNO
B4489		TUBO "A" -2006	PIPE "A"-2006	HOCHDRUCKSCHLAUCH "A"-2006	FLEXIBLE "A"-2006	TUBO "A"-2006
B4490		TUBO "B"-2006	PIPE "B"-2006	HOCHDRUCKSCHLAUCH "B"-2006	FLEXIBLE "B"-2006	TUBO "B"-2006
B4491		TUBO "C"-2006	PIPE "C"-2006	HOCHDRUCKSCHLAUCH "C"-2006	FLEXIBLE "C"-2006	TUBO "C"-2006
B4492		TUBO "D"-2006	PIPE "D"-2006	HOCHDRUCKSCHLAUCH "D"-2006	FLEXIBLE "D"-2006	TUBO "D"-2006
B4493	*	SCHEDA ELETTRONICA STR.R 2FTC/06	ELECTRIC BOARD	ELEKTRONIK STEUERKARTE	PLATINE ÉLECTROMÉCANIQUE COMPLÈTE	PLACA ELECTRONICA COMPLETA
B4508		CARTER INFERIORE SX PASSAGGIO TUBI	LOWER GUARD SX	UNTERE GEHÄUSE SX	CARTER INFÉRIEUR SX	CÁRTER INFERIOR SX
B4509		CARTER CENTRALE PASSAGGIO TUBI	LOWER GUARD	UNTERE GEHÄUSE	CARTER INFÉRIEUR	CÁRTER INFERIOR
B4510		CARTER INFERIORE DX PASSAGGIO TUBI	LOWER GUARD DX	UNTERE GEHÄUSE DX	CARTER INFÉRIEUR DX	CÁRTER INFERIOR DX
B4530		RULLO RAMPA STRATOS SR ZB	BALANCE RAMP ROLLER	FFUEHRUNGSBUCHSE	ROULEAU RAMPE BASCULANTE	RODILLO RAMPA BASCULANTE
B4570		CARTER SUPERIORE PAVIMENTO	UPPER CASING	OBERES GEHÄU	CARTER SUPÉRIEUR	PROTECCION SUPERIOR
B4572		COPRITUBO LATERALE PAVIMENTO	LATERAL PIPE COVER	SEITLICHE ROHR-ABDECKUNG	COUVERTURE LATÉRALE DE PIPE	CUBIERTA LATERAL DE LA PIPA
B4580XX		PLANCIA COMANDO ELETTRICI	DASHBOARD	EL. STEUERTAFEL	TABLEAU DE COMMANDE EL	TABLERO MANDO EL.
B4581XX		ARMADIETTO CENTRALINA	CABINET	SCHRANK	ARMOIRE	CAJÓN
B4582XX		SPORTELLO ANTERIORE ARMADIO	CABINET FRONT DOOR	VORDERE SCHRANKTÜR	PANNEAU ANTÉRIEUR	PUERTA ANTERIOR ARMARIO
B4583XX		SUPPORTO COMPONENTI ELETTRICI	SUPPORT	HALTER	SUPPORT	SOPORTE
B4584		GUARNIZIONE ARMADIO CENTRALINA	GASKET	DICHTUNG	JOINT	JUNTA
B4619		LED VERDE	GREEN LED	GRÜNE LED	LED VERTE	LED VERDE
B6002		VITE TCEI M8X28 + RONDELLA INCORPORATA	SCREW TCEI M8X28 + INCORPORATED WASHER	SCHRAUBE TCEI M8X28 +EINGEBAUTER UNTERLEGSCHLEIBE	VIS CHC M8X28 + RONDELLE INCORPORÉE	TORNILLO TCEI M8X28 + ARANDELA INCORPORADA

B6003		FLANGIA PER MOTORE ELETTRICO "N"	"N" ELECTRIC MOTOR FLANGE	FLANSCH FÜR E-MOTOR "N"	BRIDE POUR MOTEUR ÉLECTRIQUE TYPE "N"	PLATO PARA MOTOR ELÉCTRICO "N"
B6004		GIUNTO A PENNA "LM"	"LM" CONNECTING COUPLING	FEDERANSCHLUSS "LM"	ACCOUPLLEMENT "LM"	ACOPLAMIENTO DE OREJA "LM"
B6005		GIUNTO A PENNA "LP"	"LP" CONNECTING COUPLING	FEDERANSCHLUSS "LP"	ACCOUPLLEMENT	ACOPLAMIENTO DE OREJA "LP"
B6015		O'RING 6437 110,72X3,53	O'RING	O'RING	JOINT TORIQUE	EMPAQUE
B6016		KIT POMPA "P" PHC 1-4,3 CM³/G	PUMP "P" PHC 1-4,3 CM³/G KIT	PUMPENSET "P" PHC 1-4,3 CM³/G	KIT POMPE "P" PHC 1-4,3 CM3/TR	KIT BOMBA "P" PHC 1-4,3 CM3/G
B6020		VITE TCEI M6X40 UNI 5931	SCREW TCEI M6X40 UNI 5931	SCHRAUBE TCEI M6X40 UNI 5931	VIS CHC M6 X 40 UNI 5931	TORNILLO TCEI M6X40 UNI 5931
B6581	*	AVVISATORE ACUSTICO	SIREN	SIRENE	SIRÈNE	ALARMA ACUSTICA
B6595	*	TRASFORMATORE 0-230-400 0-24V 50VA	TRANSFORMER 0-230-400 0-24V 50VA	TRANSFORMATOR 0-230-400 0-24V 50VA	TRANSFORMATEUR 0-230-400 0-24V 50VA	TRANSFORMADOR 0-230-400 0-24V 50VA
C0043		VITE TE M6X10 UNI 5739	SCREW TE M6X10 UNI 5739	SECHSKANTSCHRAUBE M6X10 UNI 5739	VIS TH M6X10 UNI 5739	TORNILLO TE M6X10 ZINCADO
C0098		VITE TE M8X20 UNI 5739	SCREW M8X20 UNI 5739	SECHSKANTSCHRAUBE M8X20 UNI 5739	VIS TH M8X20 UNI 5739	TORNILLO TE M8X20 ZINCADO
C0100		RONDELLA Ø8,4X17 UNI 6592	WASHER Ø8,4X17 UNI 6592	SCHEIBE Ø8,4X17 UNI 6592	RONDELLE Ø8,4X17 UNI 6592	ARANDELA Ø8 ZINCADA
C0617		RONDELLA Ø6,4X12,5 UNI 6592	WASHER Ø6,4X12,5 UNI 6592	SCHEIBE Ø6,4X12,5 UNI 6592	RONDELLE Ø6,4X12,5 UNI 6592	ARANDELA Ø6,4X12,5 UNI6592
C0630		RONDELLA IN RAME Ø14X20	COPPER WASHER Ø14X20	MUTTER M10 UNI 5588	ECROU M10 UNI 5588	TUERCA
G120182		RONDELLA GROVER D 10 GAMMA	WASHER D10	SCHEIBE D10	RONDELLE D10	ARANDELA D10
G120197		SEEGER D 19 GAMMA	SEEGER D19	SEEGER D19	BAGUE D19	SEEGER D19
R0068		SEEGER E30 UNI 7435	SNAP RING E30 UNI 7435	SEEGER E30 UNI 7435	ANNEAU DE FIXAGE E30 UNI 7435	SEEGER E30 UNI 7435
R0132		RONDELLA RAME 3/8"	WASHER 3/8" UNI 7989	KUPFERSCHEIBE 3/8"	RONDELLE 3/8" UNI 7989	ARANDELA DE COBRE 3/8"
R1194		SEEGER E11 UNI 7435	SEEGER RING E11 UNI 7435	SEEGER E11 UNI 7435	BAGUE E11 UNI 7435	SEEGER E11 UNI 7435
R1195		VITE TE M10X100 PF UNI 5737 ZB	SCREW TE M10X100 PF UNI 5737 ZB	SECHSKANTSCHRAUBE M10X100 PF UNI 5737 ZB	VIS TH M10X100 PF UNI 5737 ZB	TORNILLO M10X100 PF UNI 5737 ZB
R3034		RACCORDO "L" M/M 1/4"	"L" CONNECTION M/M 1/4"	"L"-ANSCHLUSS	RACCORD "L" M/M 1/4"	CONEXION "L" M/M 1/4"
S4010		PERNO ACCOPPIAM.BRACCI TORRETT	PIN	STIFT	AXE	PERNO
S4504		NIPPLO 3/8"-1/4"	3/8"-1/4" NIPPLES	DOPPEL – GEWINDENIPPEL 3/8"- 1/4"	MANCHON RÉDUCTEUR 3/8"-1/4"	NIPLE 3/8"-1/4"
S6000	*	MOTORE TRIFASE 230-400V/50HZ 3 KW	MOTOR THREE-PHASE 230-400V/50HZ 3 KW	MOTOR DREHSTROM 230-400V/50HZ 3KW	MOTEUR TRIPHASÉ 230-400V/50HZ 3KW	MOTOR TRIFASICO 230-400V/50HZ 3 KW
Z_RICAMBI		* = RICAMBI CONSIGLIATI	* = RECOMMENDED SPARE PARTS	* = EMPFOHLENE E-TEILE	* = PIECES DE RECHANGE CONSEILLEES	* = REPUESTOS ACONSEJAOS