

ESPLOSO SOLLEVATORE

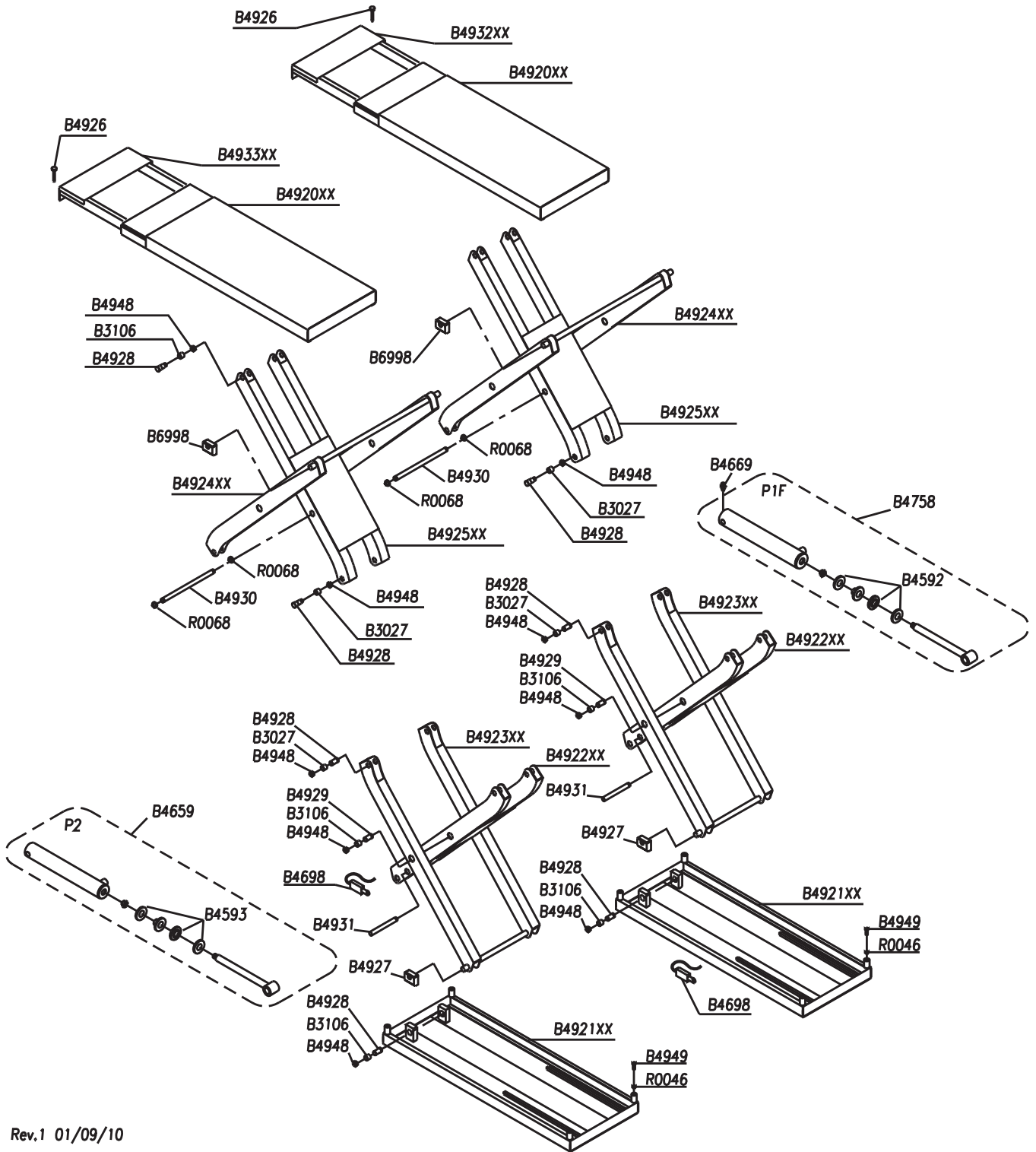
EXPLODED VIEW OF THE LIFT

EXPLOSIONSZEICHNUNG HEBEBÜHNNE

VUE ÉCLATÉE - ÉLÉVATEUR

DESPIECE ELEVADOR

(C)2011 Werther Polska
do użytku wewnętrznego
nieautoryzowane użycie prawnie zabronione



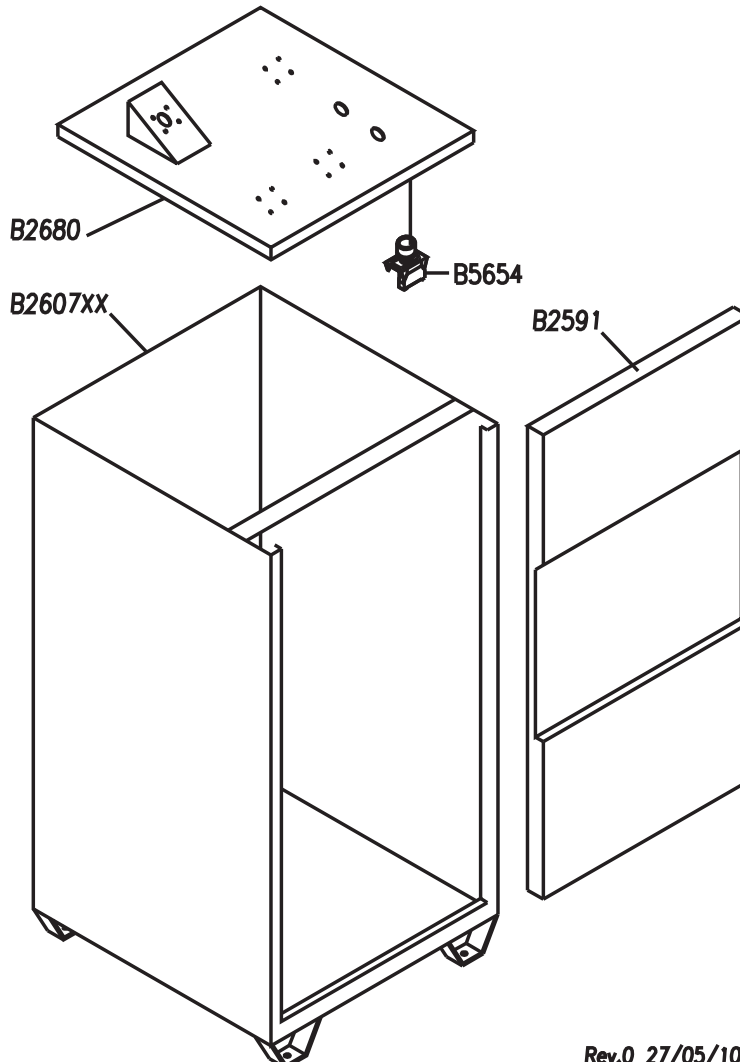
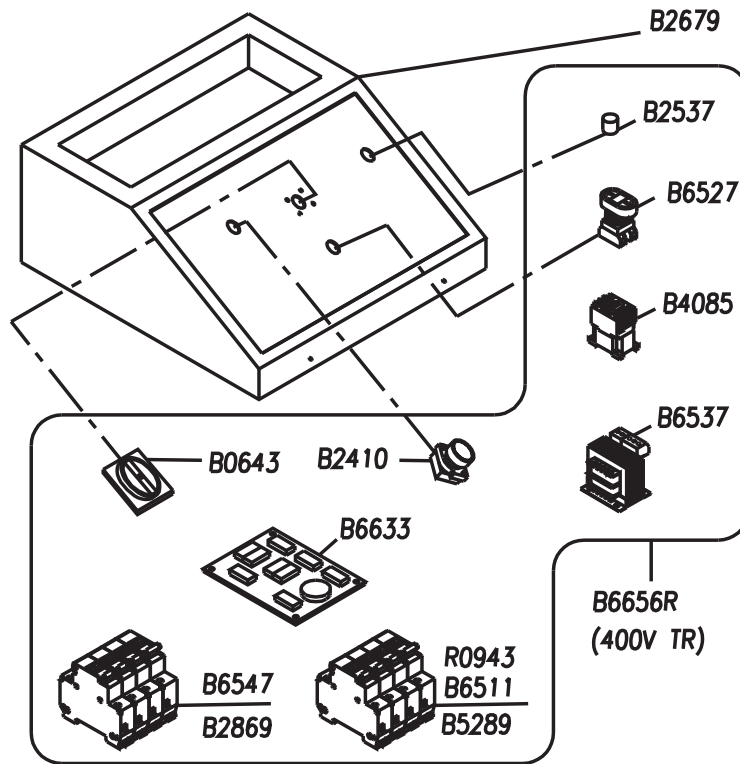
QUADRO DI COMANDO

CONTROL BOX

STEUERTAFEL

TABLEAU DE COMMANDE

PANEL DE MANDO



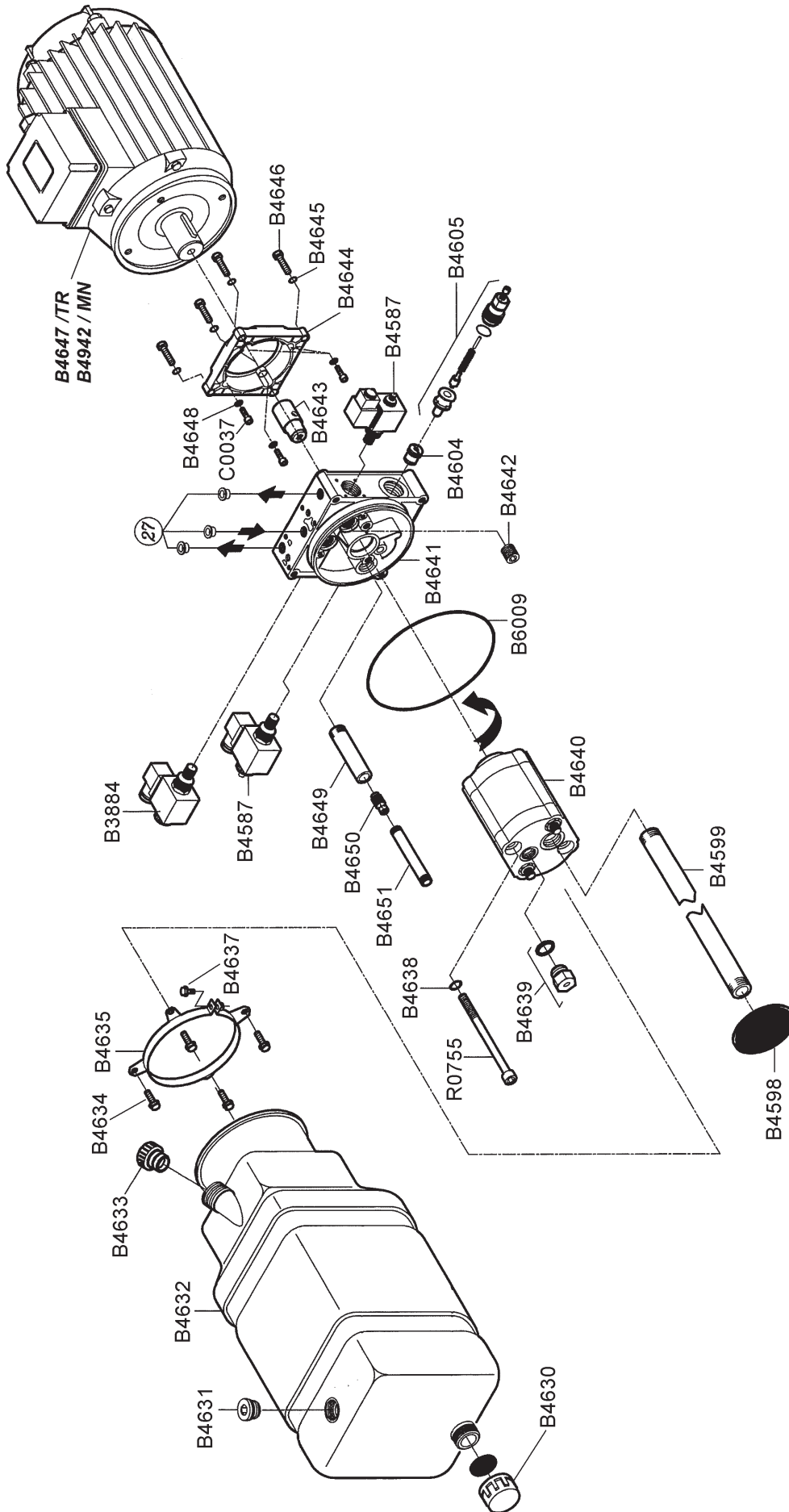
CENTRALINA OLEODINAMICA

OLEODYNAMIC CONTROL UNIT

HYDRAULIKEINHEIT

CENTRALE HYDRAULIQUE

CENTRALITA HIDRAULICA



Part Code	Sugg	Descrizione	Description	Beschreibung	Description	Denominacion
A0322		RACCORDO A "T" G1/8" TUBO D.8	T CONNECTION G1/8" TUBE D.8	"T" ANSCHLUSSKEGEL G1/8" ROHR D.8	RACCORD EN T G1/8" POUR TUYAU D.8	UNIÓN "T" G 1/8" - TUBO Ø8
B0643	*	INTERRUTTORE GENERALE 230/400	MASTER SWITCH 230/400	SCHALTER 230/400	INTERRUPTEUR GÉNÉRAL	INTERRUPTOR GENERAL
B2410	*	LAMPADA BIANCA 24V MM25	WHITE LAMP 24V	KONTROLLEUCHE 24V	LAMPE POUR VOYANT LUMINEUX 24V	LAMPARA DE SEÑALIZACION 24V
B2537		BUZER 24VAC	BUZER 24VAC	BUZER 24VAC	BUZER 24VAC	BUZER 24VAC
B2591		SPORTELLA ANTERIORE ARMADIO	CABINET FRONT DOOR	VORDERE SCHRANKTÜR	VOLET ANTERIEUR ARMOIRE	PUERTA ANTERIOR ARMARIO
B2607XX		ARMADIETTO	CABINET	SCHRANK	ARMOIRE	CAJÓN
B2679		PLANCIA COMANDO CENTRALINE '10	CONTROL PANEL	INSTRUMENTENTAFEL	PANNEAU FRONTAL	TABLERO DE MANDOS
B2680		SUPPORTO COMP.ELETT.R.CENTR.'10	SUPPORT ELECTRICAL COMPONENTS	UNTERSTÜTZUNG ELEKTRISCHEN KOMPONENTEN	SOUTIEN COMPOSANTS ÉLECTRIQUES	APOYO COMPONENTES ELÉCTRICOS
B2869	*	FUSIBILE 10X38 10A	FUSE 10X38 10A	SCHMELZSICHERUNG 10X38 10A	FUSIBLE 10X38 10A	FUSIBLE
B3027		BOCCOLA AUTOLUBR.30X34X40	SELF-LUBRIFICATING BUSHING Ø30X34X40	SELBSTSCHMIERENDE BUCHSE D 30X34X40	DOUILLE AUTOLUBRIFIANTE Ø30X34X40	CASQUILLO AUTOLUBRIC. DIAM. 30X34X40
B3081		NIPPLO M-M 1/4 IDRAULICA	1/4" NIPPLES	DOPPEL GEWINDENIPPEL 1/4"	NIPPLE 1/4"	NIPLE M-M 1/4 HIDRAULICA
B3106		BOCCOLA AUTOLUBR.30X34X30	SELF-LUBRIFICATING BUSHING Ø30X34X30	SELBSTSCHMIERENDE BUCHSE D 30X34X30	DOUILLE AUTOLUBRIFIANTE Ø30X34X30	CASQUILLO AUTOLUBRIC. DIAM. 30X34X30
B3290		PRULUNGA MF 1/4"	EXTENSION MF 1/4	VERLÄNGERUNG MF 1/4"	PROLONGATION MF 1/4"	EXTENSIÓN MF 1/4"
B3884	*	ELETTROVALVOLA DOPPIA TENUTA PG	ELECTRO-VALVE	ELEKTROVENTIL	ELECTROVANNE	ELECTROVÁLVULA
B4085		TELERUTTORE NO-4KW 24VCC MIG SAT45	CONTACTOR	FERNSCHALTER	TÉLÉRUPTEUR	CONTACTO
B4544		OCCHIO 1/4-FILETTO M 1/4 SR	FITTING M1/4	AUF/ABSTIEGSREGLER M1/4	RACCORD M1/4	CONEXION M1/4
B4545		TAPPO F OGIVA 1/4 SR	PLUG M1/4	DECKEL M1/4	BOUCHON M1/4	TAPON M1/4
B4587	*	ELETTROVALVOLA NC DISCESA 24VDC	DOWN ELECTRO-VALVE	ELEKTROMAGNETVENTIL „ ABSSENKEN „	ELECTROVANNE DE DESCENTE	ELECTROVALVULA DE DESCENSO
B4592	*	KIT GUARNIZIONI CILINDRO P1	GASKETS KIT	DICHTUNGSSATZ	JEU DE JOINTS	JUEGO DE JUNTAS
B4593	*	KIT GUARNIZIONI CILINDRO P2	GASKETS KIT	DICHTUNGSSATZ	JEU DE JOINTS	JUEGO DE JUNTAS
B4598		FILTRO A CAMPANA D80 3/8" 90MC	FILTER	FLACHFILTER	FILTRE	FILTRO
B4599		TUBO POLIPROPILENE L=185 3/8"	PIPE	HOCHDRUCKSCHLAUCH	FLEXIBLE	TUBO
B4604	*	VALVOLA DI RITEGNO A SFERA 3/8	CHECK VALVE	RUECKSCHLAGVENTIL	CLAPET ANTI-RETOUR	VALVULA DE NO RETROCESO
B4605	*	VALVOLA MAX 280BAR	MAX. PRESSURE VALVE 280 BAR	UEBERDRUCKVENTIL 280 BAR	CLAPET DE PRESSION MAX.280 BAR	VALVULA DE MAXIMA PRESION 280 BAR
B4630		TAPPO F 3/4" PCV	PLUG	STÖPSEL	BOUCHON	TAPÓN
B4631		TAPPO CHIUS.M1/4+GUARNIZ.	PLUG	DECKEL	BOUCHON	TAPÓN
B4632		SERBATOIO L7 PVC CORTO TP3	TANK	BEÄHELTER	RÉSERVOIR	DEPÓSITO
B4633		TAPPO SFIATO PRESSIONE	BLEED PLUG	ENTLUEFTUNGSDECKEL	BOUCHON RENIFLAR	TAPON DE ESCAPE
B4634		VITE TEF M6X14 DIN 6921 ZB	SCREW TEF M6X14 DIN 6921 ZB	SCHRAUBE TEF M6X14 DIN 6921 ZB	VIS TEF M6X14 DIN 6921 ZB	TORNILLO TEF M6X14 DIN 6921 ZB
B4635		FASCETTA SERBATOIO PVC	PLASTIC CLAMP	SHELLE	COLLIER PLASTIQUE	ABRAZADERA PLÁSTICO

B4637		VITE TEF M6X20 DIN 6921 ZB	SCREW TEF M6X20 DIN 6921 ZB	SCHRAUBE TEF M6X20 DIN 6921 ZB	VIS TEF M6X20 DIN 6921 ZB	TORNILLO TEF M6X20 DIN 6921 ZB
B4638		RONDELLA ZIGRINATA 6.4X13X.8	WASHER 6.4X13X.8	SCHEIBE 6.4X13X.8	RONDELLE 6.4X13X.8	ARANDELA 6.4X13X.8
B4639		VALVOLA DI SFIATO 1/4"	VALVE	VENTIL	CLAPET	VÁLVULA
B4640		POMPA GR.1 2.6CC	PUMP GR.1 2.6CC	PUMPENSET GR.1 2.6CC	POMPE GR.1 2.6CC	BOMBA GR.1 2.6CC
B4641		CORPO G 4 CAVE	BODY	KÖRPER	CORP	CUERPO
B4642		GRANO 1/4 DIN 906 CON.ES.INCAS	SCREW 1/4 DIN 906	DORN 1/4 DIN 906	GRAIN 1/4 DIN 906	GRANO 1/4 DIN 906
B4643		GIUNTO 19/Z6 GR.80 TP3	CONNECTING 19/Z6 GR.80 TP3	FEDERANSCHLUSS 19/Z6 GR.80 TP3	ACCOUPEMENT 19/Z6 GR.80 TP3	ACOPLAMIENTO DE OREJA 19/Z6 GR.80 TP3
B4644		FLANGIA PVC GR80 TP3	FLANGE	FLANSCH	BRIDE	BRIDA
B4645		RONDELLA ZIGRINATA 8.4X13X.8	WASHER 8.4X13X.8	SCHEIBE 8.4X13X.8	RONDELLE 8.4X13X.8	ARANDELA 8.4X13X.8
B4646		VITE TE M8X25 ISO 4017 ZB	SCREW TE M8X25 ISO 4017 ZB	SECHSKANTSCHRAUBE TE M8X25 ISO 4017 ZB	VIS TE M8X25 ISO 4017 ZB	TORNILLO TE M8X25 ISO 4017 ZB
B4647	*	MOTORE G80 230-400/50T 2,2KW	ELECTRIC MOTOR G80 230-400/50T 2,2KW	ELEKTRO-MOTOR G80 230-400/50T 2,2KW	MOTEUR ÉLECTRIQUE G80 230-400/50T 2,2KW	MOTOR ELÉCTRICO G80 230-400/50T 2,2KW
B4648		RONDELLA ZIGRINATA 6.4X10X.7	WASHER 6.4X10X.7	SCHEIBE 6.4X10X.7	RONDELLE 6.4X10X.7	ARANDELA 6.4X10X.7
B4649		TUBO G3/8" VSC04	HOSE	SCHLAUCH	TUYAU	TUBO
B4650		VALVOLA CONTROL.DISC.1/4 LT5,5	VALVE 1/4 LT5,5	DURCH FLUSSREGLER VENTIL 1/4 LT5,5	SOUPAPE DE RÉGULATION 1/4 LT5,5	VÁLVULA DE REGULACIÓN DE PRESIÓN DE FUNCIONAMIENTO 1/4 LT5,5
B4651		TUBO SCARICO PVC 1/4 L=55	DISCHARGE PIPE	ABLASS-SCHLAUCH	TUYAU	TUBO DE DESCARGA
B4658		CILINDRO P1 DI 70 SRM-FR	CYLINDER P1F	ZYLINDER P1F	VERIN P1F	CILINDRO P1F
B4659		CILINDRO P2 DI 60 SRM	CYLINDER P2	ZILINDER P2	VERIN P2	CILINDRO P2
B4662		TUBO "C"	PIPE "C"	HOCHDRUCKSCHLAUCH "C"	FLEXIBLE "C"	TUBO "C"
B4663		TUBO "D"	PIPE "D"	HOCHDRUCKSCHLAUCH "D"	FLEXIBLE "D"	TUBO "D"
B4669		GRANO REGIST.CIL.P1 FREN.SRM	DOWEL	STIFT	GRAIN	ESPIGA
B4698	*	MICROINTERRUPTORE SIC.FF4531-10,5DN	MICRO SWITCH	MIKROSCHALTER	MICROINTERRUPTEUR	MICROINTERRUPTOR
B4920XX		PEDANA S39	PLATFORM	AUFNAHMEPLATTFORM	PLATE-FORME	PLATAFORMA
B4921XX		BASE S39	BASE	GRUNDLAGE	CHÂSSIS	BASE
B4922XX		LEVA INFERIORE INTERNA S39	LOWER INSIDE LE ARM	UNTERER INNERER HEBEL LINKS	LEVIER INFERIEUR INTERNE GAUCHE	PALANCA INF. INT.
B4923XX		LEVA INFERIORE ESTERNA S39	LOWER OUTSIDE ARM	UNTERER AEUSSERER HEBEL	LEVIER INFERIEUR EXTERNE	PALANCA INF. EXT.
B4924XX		LEVA SUPERIORE ESTERNA S39	UPPER OUTSIDE ARM	OBERER AEUSSERER HEBEL	LEVIER SUPERIEUR EXTERNE	PALANCA SUP. EXT.
B4925XX		LEVA SUPERIORE INTERNA S39	UPPER INSIDE ARM	OBERER INNERER HEBEL	LEVIER SUPERIEUR INTERNE	PALANCA SUP. INT.
B4926		PERNO ESTRAZ.PROLUNGA S39 ZB	PIN	STIFT	AXE	PERNO
Rev.2 2/09/2010	0	PATTINO INFERIORE S39	PAD	GLEITSCHUH	PATIN	PATÍN
B4928		PERNO ESTREMITA' LEVA S39 ZB	PIN	STIFT	AXE	PERNO
B4929		PERNO GIUNZIONE INTERM.S39 ZB	PIN	STIFT	AXE	PERNO
B4930		PERNO STELO-CILINDRO S39 ZB	ROD-CYLINDER PIN	BOLZEN FUER ZYLINDERSCHAFT	AXE TIGE-VERIN	PERNO VASTAGO-CILINDRO
B4931		PERNO CULATTA-CILINDRO S39 ZB	LOWER CYLINDER PIN	BOLZEN AM ZYLINDERENDE	AXE COULASSE-VERIN	PERNO CALATA-CILINDRO

B4932XX		PROLUNGA DX S39	EXTENSION DX	FAHRRSCHIENEN-VERLAENGERUNG	RALLONGE DX	DISTANCIADOR
B4933XX		PROLUNGA SX S39	EXTENSION SX	FAHRRSCHIENEN-VERLAENGERUNG	RALLONGE SX	DISTANCIADOR
B4941		TUBO "A"	PIPE "A"	HOCHDRUCKSCHLAUCH "A"	FLEXIBLE "A"	TUBO "A"
B4942	*	MOTORE B14 MN 230V 50HZ 2,2KW-K3	MOTOR B14 SINGLE PHASE 230V 50HZ 2,2KW-K3	ELEKTRO-MOTOR B14 230/50M 2,2KW	MOTOR B14 230/50M 2,2KW	MOTOR ELÉCTRICO 230/50M 2,2KW
B4948		GHIERA AUTOBLOC. GUK M20X1,5	SELF-LOCKING RING NUT M20X1,5	SELBSTBLOCKIERENDER GEWINDERING M20X1,5	BAGUE AUTOBLOQ. M20X1,5	ABRAZADERA AUTOBLOC.M20X1,5
B4949		VITE TE M12X40 UNI 5739 ZB	SCREW M12X40 UNI 5739 ZB	SCHRAUBE M12X40 UNI 5739 ZB	VIS M12X40 UNI 5739 ZB	TORNILLO M12X40 UNI 5739 ZB
B5053	*	VITE FORATA 1/4	SCREW 1/4	SCHRAUBE 1/4"	BOUCHON RENIFLARD 1/4"	TORNILLO CON ORIFICIO 1/4"
B5289	*	FUSIBILE 10X38 1A AM	FUSE 10X38 1A AM	SCHMELZSICHERUNG 10X38 1A AM	FUSIBLE 10X38 1A AM	FUSIBILE 10X38 1A AM
B5654	*	PULSANTE NERO + 1 CONTATTO N.O.	BLACK PUSH-BUTTON + 1 N.O. CONTACT	DRUCKKNOPF	BOUTON	PULSADOR
B6009		O'RING 4450	O'RING	O'RING	JOINT TORIQUE	EMPAQUE
B6511		PORTAFUSIBILE 10X38 WIMEX PCH1	FUSE HOUSING 10X38 WIMEX PCH10X38	SCHMELZSICHERUNGHALTER	PORTE-FUSIBLE 10X38 WIMEX PCH 10X38	PORTAFUSIBLES 10X38 WIMEX PCH1
B6527	*	PULSANTE DOPPIO+ELEMENTO DI CONTATTO	TWIN PUSH BUTTON WITH CONTACT	DOPPLER KNOPF+KONTAKTGEBER TYP ERSCE 50052+52080	POUSSOIR DOUBLE ERSCE 50052+52080	PULSADOR DOBLE CON CONTACTO TIPO ERSCE 50052+52080
B6537	*	TRASFORMATORE 0-220-380 0-24V 50VA +/-10%	TRANSFORMER 0-230-400 0-24V 50VA	TRANSFORMATOR 0-220-380 0-24V 50VA +/-10%	TRANSFORMATEUR 0-220-380 0-24V 50VA +/-10%	TRANSFORMADOR 0-220-380 0-24V 50VA +/-10%
B6547		PORTAFUSIBILE TRIPOLARE 10X38	FUSE HOUSING	SICHERUNGSHALTER	PORTE-FUSIBLE	PORTAFUSIBLE
B6633		SCHEDA EL.EK20 SRM-S39-PCB	ELECTRIC BOARD	ELEKTROKARTE	CARTE ELECTRIQUE	PLACA ELECTRONICA
B6656R		QUADRO 400/50T STR.S39/09	ELECTRIC BOX ASSEMBLY THREE-PHASE	KOMPLETTE STEUERTAFEL DREHSTROM	COFFRET ÉLECTRIQUE TRIPHASÉ COMPLET	CUADRO ELÉCTRICO
B6998		PATTINO SUPERIORE S39	PAD	GLEITSCHUH	PATIN	PATÍN
C0037		VITE TCEI M6X20 UNI 5931 ZB	SCREW TCEI 6X20	SCHRAUBE M6X20	VIS TCEI M6X20	TORNILLO TCEI M6X20
C0339		TUBO RILSAN 8X6 NERO	RILSAN HOSE D8X6	SCHLAUCH D.8X6	TUYAU RILSAN D.8X6	TUBO RILSAN Ø8X6
C0630		RONDELLA IN RAME Ø14X20	COPPER WASHER Ø14X20	MUTTER M10 UNI 5588	ECROU M10 UNI 5588	TUERCA
R0046		DADO MEDIO M12 UNI 5588	NUT M12	MUTTER M12 UNI 5588	ECROU M12 UNI 5588	TUERCA M12 UNI 5588
R0068		SEEGER E30 UNI 7435	SNAP RING E30 UNI 7435	SEEGER E30 UNI 7435	ANNEAU DE FIXAGE E30 UNI 7435	SEEGER E30 UNI 7435
R0755		VITE TCEI 90° M8X90	SCREW TCEI 90° M8X90	SCHRAUBE TCEI 90° M8X80	VIS TCEI 90° M8X90	TORNILLO TCEI 90° M8X90
R0821		VITE FORATA DOPPIA 1/4	HOLED SCREW	SCHRAUBE	BOUCHON RENIFLARD	TORNILLO CON ORIFICIO
R0943	*	FUSIBILE 5X20 4A RITARDATO*	FUSE 5X20 4A*	SCHMELZSICHERUNG 5X20 4A*	FUSIBLE 5X20 4A*	FUSIBILE 5X20 4A*
Z_RICAMBI		* = RICAMBI CONSIGLIATI	* = RECOMMENDED SPARE PARTS	* = EMPFOHLENE E-TEILE	* = PIECES DE RECHANGE CONSEILLEES	* = REPUESTOS ACONSEJAIOS