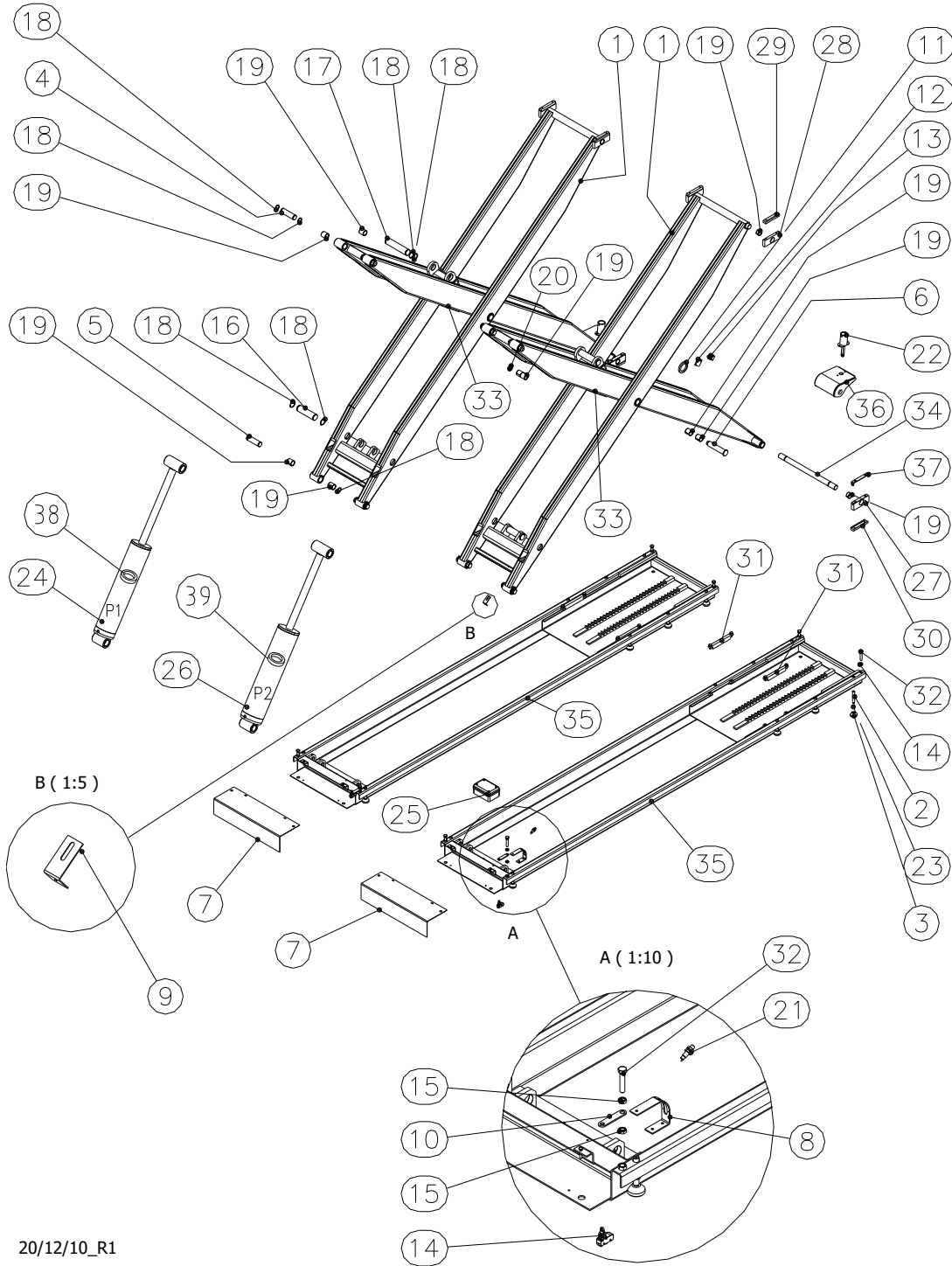


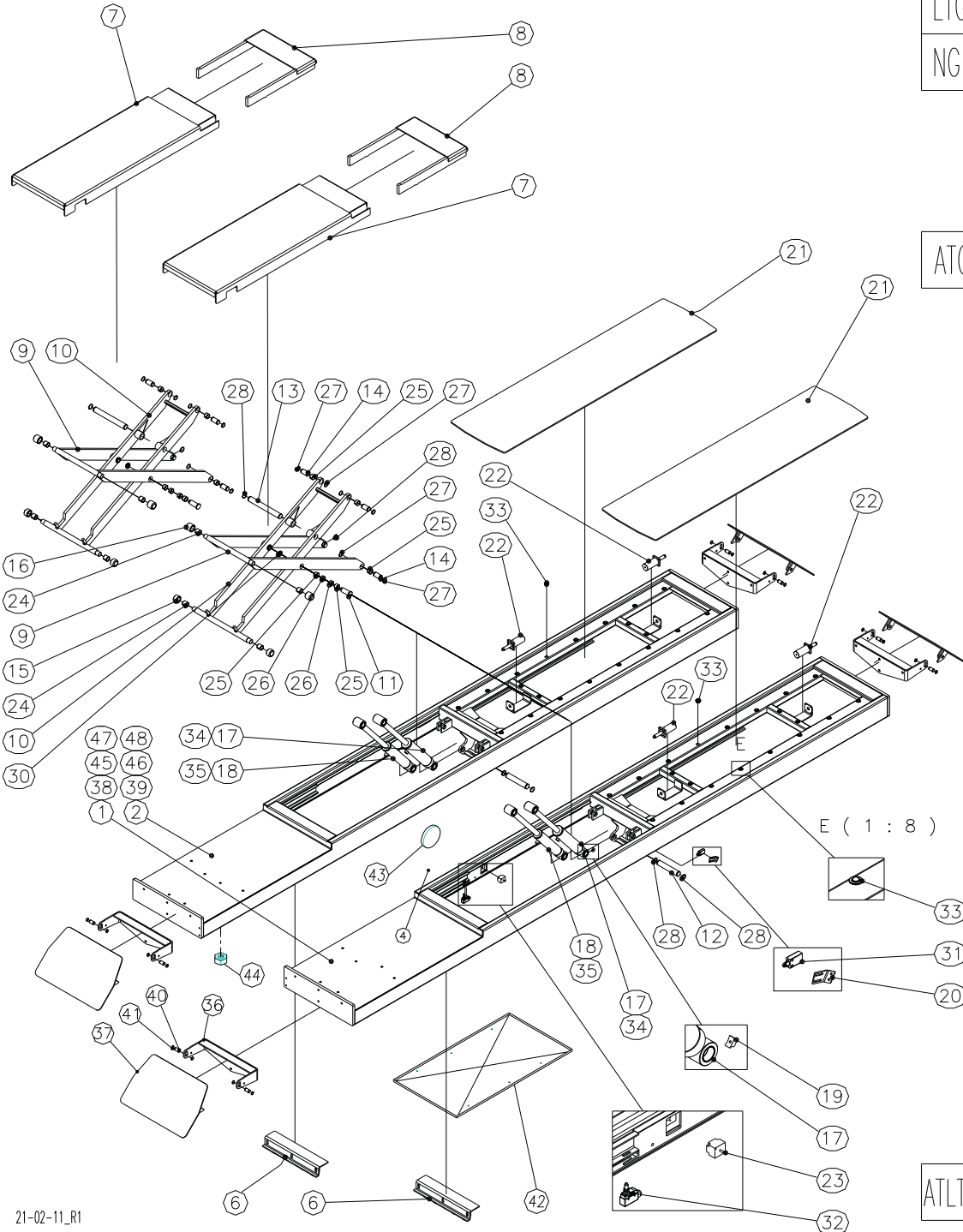
ESPLOSO SOLLEVATORE	
EXPLODED VIEW OF THE LIFT	EXPLOSIONSZEICHNUNG HEBEBÜNNE
VUE ÉCLATÉE - ÉLÉVATEUR	DESPIECE ELEVADOR

(C)2011 Werther Polska  
do użytku wewnętrznego  
nieautoryzowane użycie prawnie zabronione



39	B3532
38	B3607
37	B7091
36	B7090
35	B7089XX
34	B7092
33	B7088XX
32	B3701
31	B6932
30	B6928
29	B6930
28	B6929
27	B6927
26	B3411
25	B6683
24	B3412
23	B3872
22	B3625
21	B4090
20	B3702
19	S3514
18	R0171
17	B3659
16	B3660
15	R2095
14	B4280
13	B7246
12	B4957
11	B4963
10	B4956
9	B4270
8	B4269
7	B3775
6	B3658
5	B3657
4	B3656
3	B3427
2	B3425
1	B3654XX

<b>ESPLOSO TORRETTE</b>	
<b>EXPLODED VIEW OF THE TURRETS</b>	<b>EXPLOSIONSZEICHNUNG RADFREIHEBER</b>
<b>VUE ÉCLATÉE - LEVAGE AUXILIAIRE</b>	<b>DESPIECE TORRE</b>



LTGL	48	B4028XX
	47	B4027XX
NGL	46	B4119XX
	45	B4118XX
ATGL	44	R0046
	43	B6671
	42	B4074
	41	A0400
	40	B6974
	39	B4049XX
	38	B4048XX
	37	B6972XX
	36	B6971
	35	B6695
	34	B6694
	33	B5186
32	B4091R	
31	B7246	
30	B3108	
28	B0240	
27	R0068	
26	B3022	
25	B4826	
24	B3106	
23	B4451	
22	B4913	
21	B4967	
20	B4962	
19	B4961	
18	B4960XX	
17	B4959XX	
16	B4958	
15	B3677	
14	B3676	
13	B3675	
12	B6983	
11	B3673	
10	B3670XX	
9	B3669XX	
8	B3668XX	
7	B3667XX	
6	B4969XX	
ATLTGL	2	B4028XX
	1	B4027XX

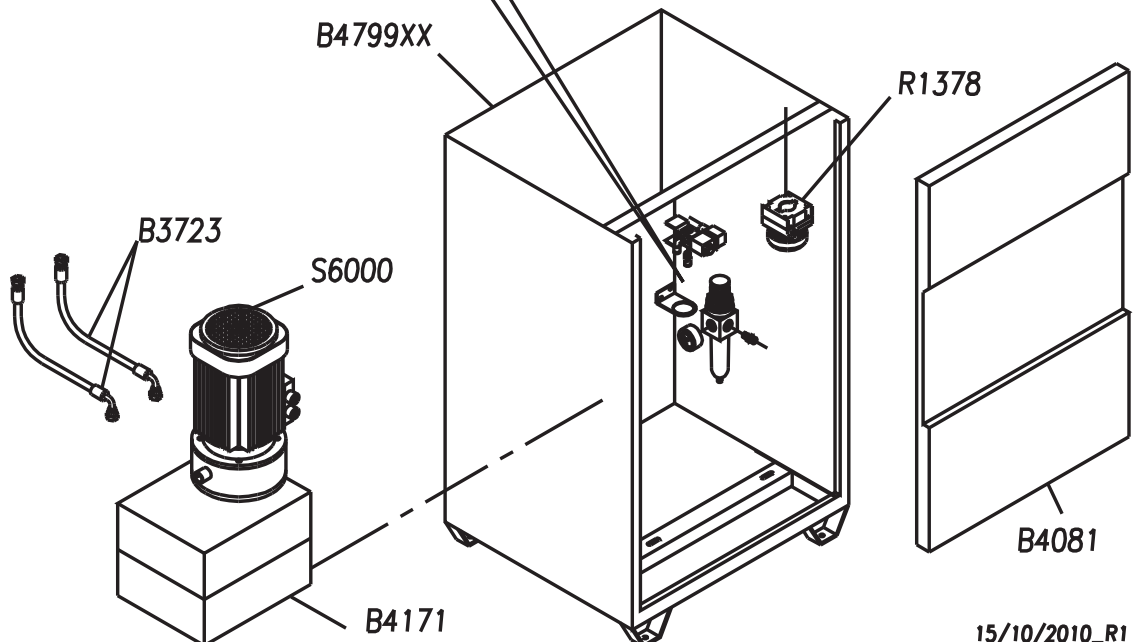
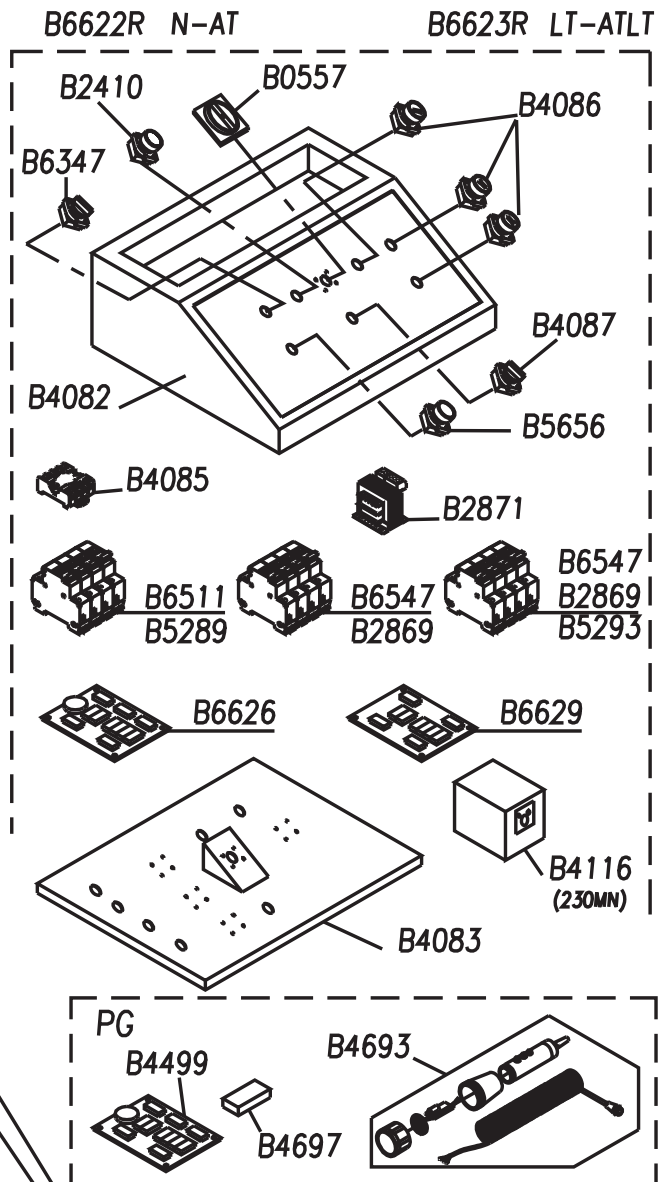
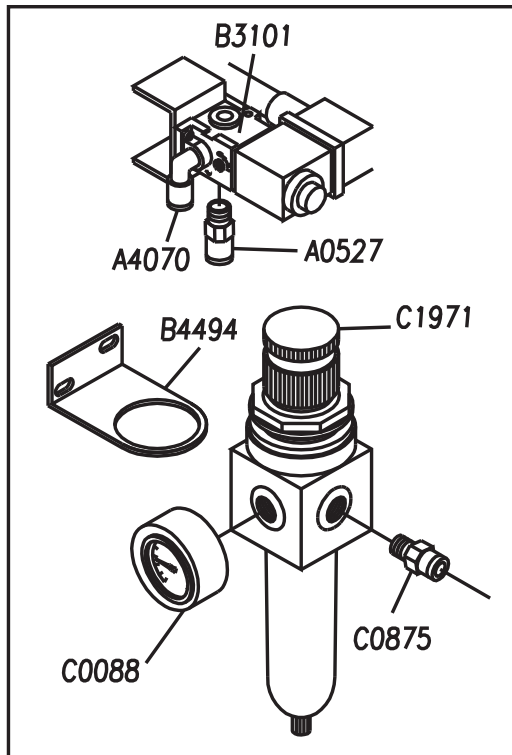
QUADRO DI COMANDO

CONTROL BOX

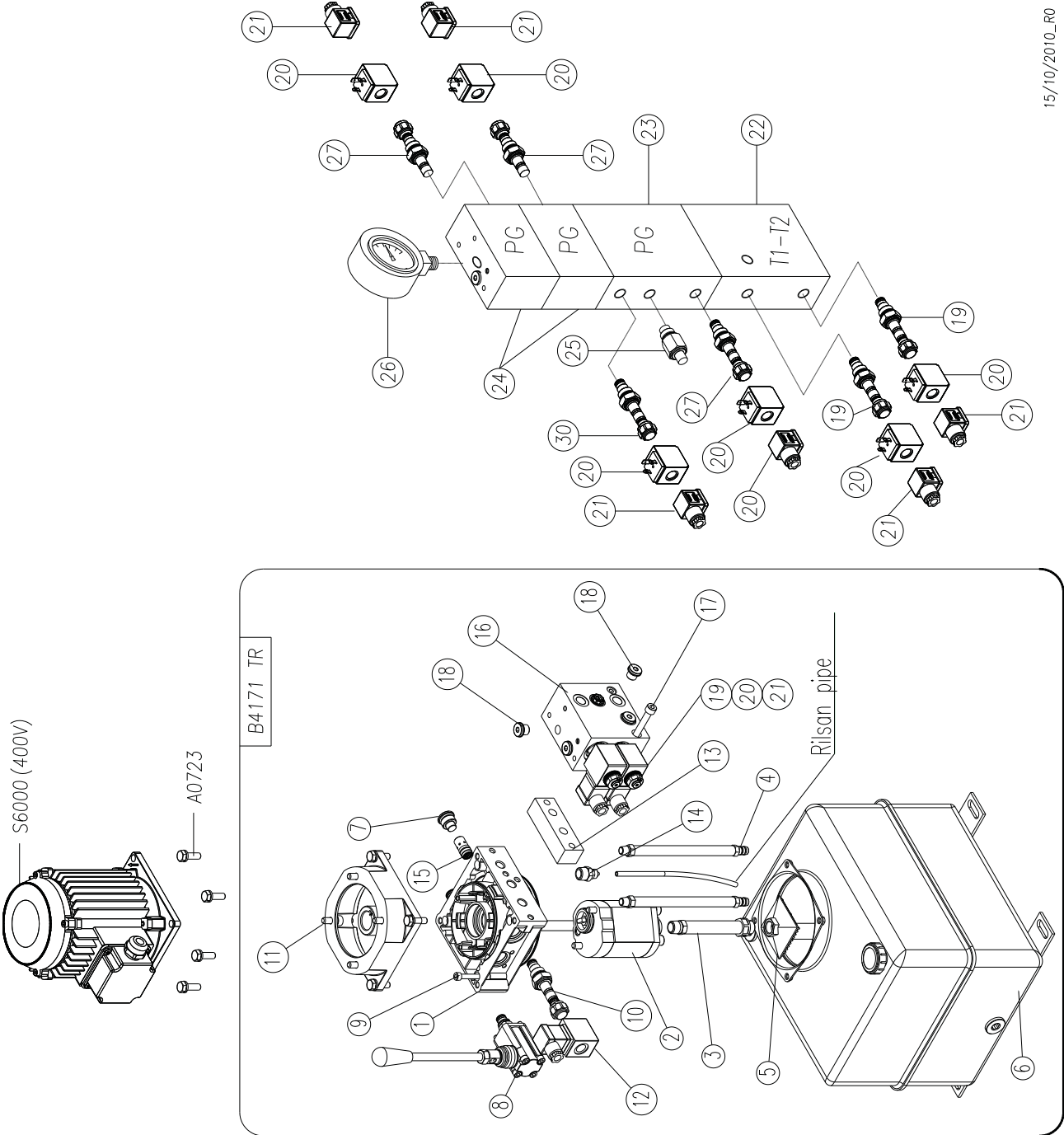
STEUERTAFEL

TABLEAU DE COMMANDE

PANEL DE MANDO



CENTRALINA OLEODINAMICA	
OLEODYNAMIC CONTROL UNIT	HYDRAULIKEINHEIT
CENTRALE HYDRAULIQUE	CENTRALITA HIDRAULICA



- 1 B4877
- 2 B4178
- 3 R1231
- 4 B4874
- 5 R1342
- 6 B4179
- 7 B5421
- 8 B4180
- 9 B6020
- 10 B4870
- 11 B5417
- 12 B4871
- 13 R1239
- 14 B4181
- 15 B5430
- 16 B4185
- 17 B3638
- 18 B5429
- 19 B4182
- 20 B7772
- 21 R1351
- 22 B4173
- 23 B4174
- 24 B4175
- 25 B4184
- 26 YS0066
- 27 B4183

Part Code	Sugg	Descrizione	Description	Beschreibung	Description	Denominacion
A0327		RACCORDO RAP.DIR.M 1/8X8	STRAIGHT MALE CONNECTION G1/8" TUBE D.8	ANSCHLUSSKEGEL G1/8" ROHR D.8	RACCORD RAPIDE DROIT 1/8"X8	UNIÓN RECTA MACHO G 1/8" - TUBO Ø8
A0328		RACCORDO "L" 1/4" M X TUBO Ø 8	L-SHAPED COUPLING 1/4" M FOR PIPE Ø 8	"L" ANSCHLUSSKEGELG1/4"-Ø8	RACCORD "L" G 1/4" - Ø8	RACOR "L" 1/4" M PARA TUBO Ø 8
A0400		SEEGER E20 UNI 7435	SNAP RING E20 UNI 7435	SEEGER-RING E20 UNI 7435	CIRCLIPS E 20 UNI 7435	SEEGER E20 UNI 7435
A0527		RACCORDO RAPIDO DRITTO M 1/8"-Ø 4/2	STRAIGHT CONNECTION M1/8"-Ø4/2	SCHNELL GERADER ANSCHLUSS M1/8"-Ø4/2	RACCORD DROIT MÂLE G 1/8" - Ø4X2	UNIÓN RECTA MACHO G 1/8" - Ø4X2
A0723		VITE TCEI M8X20 UNI 5931	SCREW TCEI M8X20 UNI 5931	SCHRAUBE TCEI M8X20 UNI 5931	VIS TCHC M8X20 UNI 5931	TORNILLO TCEI M8X20 UNI 5931
A4070		RACCORDO "L" GIREVOLE M 1/8X6	ROTATING "L" CONNECTION M 1/8X6	"L"-ANSCHLUSS M 1/8X6	RACCORD EN "L" M 1/8X6	UNIÓN "L" MACHO G 1/8" - TUBO Ø6
B0240		SEEGER E35 UNI 7435	SEEGER E35 UNI 7435	SEEGER E35 UNI 7435	BAGUES E35 UNI 7435	SEEGER E35 UNI 7435
B0557	*	INTERRUT.3LD1118-OTB53	MASTER SWITCH ASSEMBLY 3LD1118-OTB53	SCHALTER 3LD1118-OTB53	INTERRUPTEUR 3LD1118-OTB53	INTERRUPTOR 3LD1118-OTB53
B1549		K TUBO 3/16 L12,42 F1/4GXF1/4G	PIPE	HOCHDRUCKSCHLAUCH	FLEXIBLE	TUBO
B1550		K TUBO 3/16 L8,7 F1/4GXM1/4	PIPE	HOCHDRUCKSCHLAUCH	FLEXIBLE	TUBO
B1551		K TUBO 3/16 L7,1 F1/4GXM1/4	PIPE	HOCHDRUCKSCHLAUCH	FLEXIBLE	TUBO
B2410	*	LAMPADA BIANCA 24V MM25	WHITE LAMP 24V	KONTROLLEUCHE 24V	LAMPE POUR VOYANT LUMINEUX 24V	LAMPARA DE SEÑALIZACION 24V
B2869	*	FUSIBILE 10X38 10A	FUSE 10X38 10A	SCHMELZSICHERUNG 10X38 10A	FUSIBLE 10X38 10A	FUSIBILE
B2871	*	TRASFORMATORE 0-230-400 / 24 75 VA TIPO C.E.	TRANSFORMER 0-380-415 / 24 75 VA TYPE C.E.	TRANSFORMATOR 0-230-400 / 24 75 VA TYP C.E.	TRANSFORMATEUR 0-380-415 / 24 75 VA TYPE C.E.	TRANSFORMADOR 0-230-400 / 24 75 VA TIPO C.E.
B3022		BOCCOLA AUTOLUBRIFICANTE Ø30X34X15	SELF-LUBRICATING BUSHING Ø30X34X15	SELBSTSCHMIERENDE BUCHSE Ø30X34X15	DOUILLE Ø30X34X15	CASQUILLO AUTOLUBRICANTE Ø30X34X15
B3081		NIPPLIO M-M 1/4 IDRAULICA	1/4" NIPPLES	DOPPEL GEWINDENIPPEL 1/4"	NIPPLE 1/4"	NIPLE M-M 1/4 HIDRAULICA
B3101	*	ELETTROVALVOLA COMPL.3/2 CONNET.S96	ELECTRO-VALVE	ELEKTROMAGNETVENTIL	BOBINE D'ÉLECTROVANNE PNEUMATIQUE	ELECTROVALVULA AIRE
B3106		BOCCOLA AUTOLUBR.30X34X30	SELF-LUBRICATING BUSHING Ø30X34X30	SELBSTSCHMIERENDE BUCHSE D 30X34X30	DOUILLE AUTOLUBRIFIANTE Ø30X34X30	CASQUILLO AUTOLUBRIC. DIAM. 30X34X30
B3108		GHIERA AUTOBLOCCANTE	RING NUT	OBERER SCHERENARM INNEN RECHTS	BAGUE AUTOBLOQUANTE	VIROLA AUTOBLOQUEANTE
B3411		PISTONE P1 SATURNUS	PISTON 1	KOLBEN	PISTON	PISTÓN
B3412		PISTONE P2 SATURNUS	PISTON 2	KOLBEN	PISTON	PISTÓN
B3425		VITE REGOLAZ.PIATTELLO SAT40	SCREW	SCHRAUBE	VIS	TORNILLO
B3427		PIATTELLO DI REGOLAZIONE SAT40	PLATE	PLATTE	PLATEAU	PLATILLO
B3532	*	KIT GUARNIZ.CIL.P2	GASKETS KIT	DICHTUNGSSATZ	JEU DE JOINTS	JUEGO DE JUNTAS
B3607	*	KIT GUARNIZ.CIL.P1 SATURNUS40	GASKETS KIT	DICHTUNGSSATZ	JEU DE JOINTS	JUEGO DE JUNTAS
B3625		CILINDRO PNEUM.SICUREZZA SAT40	CYLINDER	ZYLINDER	VÉRIN	CILINDRO
B3634		RACCORDO 3 VIE M-M-F3/8GAS S40	CONNECTION	ANSCHLUSS	RACCORD	UNIÓN
B3635		RACCORDO "L" M-M GIR.3/8 S40	"L" CONNECTION	ANSCHLUSS	RACCORD "L"	UNIÓN
B3638		VITE TCCE M8X90 UNI 5931 ZB	SCREW	SCHRAUBE	VIS	TORNILLO
B3641		RACCORDO "T" M-F(G)-M 1/4GAS	"T" CONNECTION	ANSCHLUSS	RACCORD "T"	UNIÓN

B3654XX		LEVA ESTERNA	EXTERNAL LEVER	HEBEL	LEVIER EXTERNE	PALANCA
B3656		PERNO CERNIERA SUP.LEVA	HINGE PIN	BEFESTIGUNGSBOLZEN	TIGE CHARNIERES	PASADOR BISAGRA
B3657		PERNO INF.LEVA ESTERNA	PIN	STIFT	AXE	PERNO
B3658		PERNO CERNIERA CENT.LEVE	HINGE PIN	BEFESTIGUNGSBOLZEN	TIGE CHARNIERES	PASADOR BISAGRA
B3659		PERNO SUP.CILINDRO	PIN	STIFT	AXE	PERNO
B3660		PERNO INF.CILINDRO	PIN	STIFT	AXE	PERNO
B3701		VITE TE M42X70 UNI 5739 ZB	HEX SCREW M42X70	SECHSKANTSCHRAUBE M 42X70 UNI5739 ZB	VIS TE M42X70 UNI 5739 ZB	TORNILLO TE M42X70 UNI 5739 ZB
B3702		GHIERA AUTOBLOC.M30X1,5	SELF-LOCKING RING NUT M30X1,5	SELBSTBLOCKIERENDER GEWINDERING M30X1,5	BAGUE AUTOBLOQ. M30X1,5	ABRAZADERA AUTOBLOC.M30X1,5
B3723		TUBO 1/4	HOSE 1/4	SCHLAUCH 1/4	TUYAU 1/4	TUBO 1/4
B3775		COPERTURA TUBI SAT45 ZB	COVER	DECKEL	COUVERCLE	TAPA
B3799		TUBO 3/16 B1	HOSE 3/16 B1	SCHLAUCH 3/16 B1	TUYAU 3/16 B1	TUBO 3/16 B1
B3840		TUBO 3/16 C1	HOSE 3/16 C1	SCHLAUCH 3/16 C1	TUYAU 3/16 C1	TUBO 3/16 C1
B3841		TUBO 3/16 D1	HOSE 3/16 D1	SCHLAUCH 3/16 D1	TUYAU 3/16 D1	TUBO 3/16 D1
B3872		ANELLO DI SPALL.RB12 UNI 7433	RING	DICHTUNG	BAGUE	ANILLO
B4048XX		PIANALE P1 SX ATGL	PLATFORM P1 SX	PLATTFORM P1 SX	PLATE-FORME P1 SX	PLATAFORMA P1 SX
B4049XX		PIANALE P2 DX ATGL	PLATFORM P2 DX	PLATTFORM P2 DX	PLATE-FORME P2 DX	PLATAFORMA P2 DX
B4074		CARTER INFERIORE TAMPONAMENTO PVC	LOWER CARTER PVC	UNTERE GEHÄUSE PVC	CARTER INFÉRIEUR PVC	CARTER INFERIOR DE PVC
B4081		SPORTELLLO ANT.ARMAD.SAT45/08	FRONT DOOR	FRONTTÜR	TRAPPE AVANT	PUERTA DELANTERA ARMARIO
B4082		PLANCIA COMANDO SAT45/08	CONTROL PANEL	STEUERVERKLEIDUNG	TABLEAU DE COMMANDE EL	TABLERO MANDO EL.
B4083		SUPPORTO COMPONENTI ELETRR.S45/08	SUPPORT ELECTRICAL COMPONENTS	UNTERSTÜTZUNG ELEKTRISCHEN KOMPONENTEN	SOUTIEN COMPOSANTS ÉLECTRIQUES	APOYO COMPONENTES ELÉCTRICOS
B4085		TELERUTTORE NO-4KW 24VCC MIG SAT45	CONTACTOR	FERNSCHALTER	TÉLÉRUPTEUR	CONTACTO
B4086		PULSANTE D22 1XNO NERO SAT45	PUSH BUTTON	DRUCKKNOPF	BOUTON	PULSADOR
B4087		SELETTTORE PEDANE TOR.SAT45/08	AUXILIARY LIFT SELECTOR SWITCH	UMSCHALTER AUFSATZPLATTFORM	SELECTEUR TOURELLES AUXIL.PLATES-FORMES	SELECTOR PLATAFORMAS AUXILIARES PLATAFORMAS
B4090		SENSORE PNP NO SAT45/08	SENSOR	SENSOR	CAPTEUR	SENSOR
B4091R	*	MICROFINECOR.ALTO TOR.SAT45/08	MICROSWITCH	MIKROSCHALTER	CONTACT	MICROINTERRUPTOR
B4116		INVERTER 4KW 230V 1PH SAT50JC	INVERTER 4KW 230V 1PH	INVERTER 4KW 230V 1PH	INVERTER 4KW 230V 1PH	INVERTER 4KW 230V 1PH
B4118XX		PIANALE P1 SX	PLATFORM P1 SX	PLATTFORM P1 SX	PLATE-FORME P1 SX	PLATAFORMA P1 SX
B4119XX		PIANALE P2 DX	PLATFORM P2 DX	PLATTFORM P2 DX	PLATE-FORME P2 DX	PLATAFORMA P2 DX
B4171		CENTRALINA 400/50T SAT.45/50 2010				
B4173		BLOCC.EL.VAL.COMPL.SAT45 LT				
B4174		BLOCC.EL.VAL.COMPL.SAT45 PG				
B4175		BLOCC.EL.VAL.SCAMBIO TOR.PG				
B4178		POMPA 19GH.5.7CC				
B4179		SERBAT.RETTANGOLARE L15 SAT45				
B4180		BLOCCHETTO POMPA MANO SAT45				

B4181		RACCORDO DIR.M 3/8 TUBO 6X4				
B4182		EL.VALV.DOPPIA TENUTA SAT45				
B4183		EL.VALV.VE3-NC-VU-EM (DC)PG				
B4184		VALVOLA MAX VM20 60-220 BAR	MAX. PRESSURE VALVE VM20 60-220 BAR	UEBERDRUCKVENTIL VM20 60-220 BAR	CLAPET DE PRESSION MAX.VM20 60-220 BAR	VALVULA DE MAXIMA PRESION VM20 60-220 BAR
B4185		BLOCCHETTO PREM.SOL.PRINT.S45				
B4269		STAFFA PORTA SENSORE SAT45 ZB	BRACKET	BÜGEL	CHAPE	AYUDA
B4270		STAFFA PORTA CAMMA SAT45 ZB	BRACKET	BÜGEL	CHAPE	AYUDA
B4280		MICROINTERRUPTORE KIT LIVELLAM.CABL.S36	LIMIT SWITCH	MIKROSCHALTER	CONTACT	MICROINTERRUPTOR
B4338		RACCORDO "T" F-F 1/4G.ID.	"T" CONNECTION	ANSCHLUSSKEGEL "T"	RACCORD "T"	CONEXION "T"
B4343		RACCORDO "L" M-F GIREVOLE 1/4	"L" CONNECTION M-F 1/4"	ANSCHLUSSKEGEL "L" M-F 1/4"	RACCORD "L" M-F 1/4"	CONEXION "L" M-F 1/4
B4451		BLOCCHETTO 2 FOTOCELLULE	PHOTOCELL	FOTZELLE	PHOTOCELLULE	FOTOCELULA
B4499		KIT ELETTRICO PG2M/PG4MOV SAT45/09	PC BOARD 2/4MOV /09 SAT45	KONTROLLELEMENT	PLACA ELECTRON.PD	CAJA ELÉCTRICA
B4544		OCCHIO 1/4-FILETTO M 1/4 SR	FITTING M1/4	AUF/ABSTIEGSREGLER M1/4	RACCORD M1/4	CONEXION M1/4
B4545		TAPPO F OGIVA 1/4 SR	PLUG M1/4	DECKEL M1/4	BOUCHON M1/4	TAPON M1/4
B4693		TORCIA COMANDI/ILLUM.PG	COMPLETE HANDLAMP	KOMPLETTE HANDLAMPE	TORCHE	SOPLETE
B4697		TIMER RIT.DISEC.24VACDC	TIME RELAY	RELAIS	RELAIS	RELÉ
B4799XX		ARMADIETTO SAT36R	CABINET	SCHRANK	CAISSON PUPITRE	CAJÓN
B4826		BOCCOLA AUTOLUBR.30X34X20 S36R	SELF-LUBRIFICATING BUSHING 30X34X20 S36R	SELBSTSCHMIERENDE BUCHSE 30X34X20 S36R	DOUILLE AUTOLUBRIFIANTE 30X34X20 S36R	CASQUILLO AUTOLUBR.30X34X20 S36R
B4870	*	ELETTROVALVOLA 2/2 CON EMERGENZA	ELECTRO-VALVE	ELEKTROVENTIL	ELECTROVANNE	ELECTROVÁLVULA
B4871		SOLENOIDE S-CE 24CC CONET.STD	SOLENOID	SOLENOID	SOLÉNOÏDE	SOLENOIDE
B4874		TUBO SCARICO M12X1 L=200	EXHAUST PIPE	ABLASS-SCHLAUCH	TUBE	TUBO DE DESCARGA
B4877	*	COLLETTORE KE2000 M04.Z 80-250	MANIFOLD	KOLLEKTOR	COLLECTEUR	COLECTOR
B4951		K TUBO 1/4 L5,56 ORI3/8XF3/8	PIPE	HOCHDRUCKSCHLAUCH	FLEXIBLE	TUBO
B4956		SUPPORTO MICRO AUTOLIV.SAT45-50 ZB	MICROSWITCH SUPPORT	MIKROSCHALTER SUPPORT	MICRORUPTEUR SUPPORT	APOYO MICROINTERRUPTOR
B4957		SUPPORTO MICRO FULCRO LEVE SAT45-50 ZB	MICROSWITCH SUPPORT	MIKROSCHALTER SUPPORT	MICRORUPTEUR SUPPORT	APOYO MICROINTERRUPTOR
B4963		CAMMA SATURNUS45-50 ZB	CAM	NOCKE	CAME	EXCENTRICA
B4983		RACCORDO "L" M-F GIR.3/8 SAT45	"L" CONNECTION M-F 3/8"	"L"-ANSCHLUSS M-F 3/8"	RACCORD "L" M-F 3/8"	CONEXION "L" M-F 3/8"
B4985		K TUBO 1/4 L5,06 F3/8GXF1/4G	PIPE	HOCHDRUCKSCHLAUCH	FLEXIBLE	TUBO
B4986		K TUBO 1/4 L5,56 ORI3/8XF1/4	PIPE	HOCHDRUCKSCHLAUCH	FLEXIBLE	TUBO
B4987		K TUBO 3/8 L1,94 ORI3/8XF3/8	PIPE	HOCHDRUCKSCHLAUCH	FLEXIBLE	TUBO
B4988		K TUBO 3/8 L1,45 ORI3/8XF3/8	PIPE	HOCHDRUCKSCHLAUCH	FLEXIBLE	TUBO
B4989		K TUBO 1/4 L6,12 ORI3/8XF1/4	PIPE	HOCHDRUCKSCHLAUCH	FLEXIBLE	TUBO
B4990		K TUBO 1/4 L0,51 F1/4GXF1/4G	PIPE	HOCHDRUCKSCHLAUCH	FLEXIBLE	TUBO
B4994		K TUBO 1/4 L0,515 ORI1/4XF1/4G	PIPE	HOCHDRUCKSCHLAUCH	FLEXIBLE	TUBO



B4995		K TUBO 3/16 L5,04 F1/4GX1/4ORI	PIPE	HOCHDRUCKSCHLAUCH	FLEXIBLE	TUBO
B4996		K TUBO 1/4 L0,85 F1/4GX3/8ORI	PIPE	HOCHDRUCKSCHLAUCH	FLEXIBLE	TUBO
B4997		K TUBO 3/16 L1,17 F1/4GX1/4M	PIPE	HOCHDRUCKSCHLAUCH	FLEXIBLE	TUBO
B4998		K TUBO 3/16 L4,03 F1/4DX1/4FD	PIPE	HOCHDRUCKSCHLAUCH	FLEXIBLE	TUBO
B5049		PROLUNGA M-F 1/4"	EXTENSION	DISTANZSTÜCK	RALLONGE	DISTANCIADOR
B5053	*	VITE FORATA 1/4	SCREW 1/4	SCHRAUBE 1/4"	BOUCHON RENIFLARD 1/4"	TORNILLO CON ORIFICIO 1/4"
B5186		SFERA PIASTRE OSCILLANTI	BALL FOR OSCILLATING PLATES	KUGEL FÜR SCHWINGENDE PLATTEN	PLAQUE DE RETENUE DE CHEMIN DE ROULEMENT	ESFERA PLACAS OSCILANTES
B5289	*	FUSIBILE 10X38 1A AM	FUSE 10X38 1A AM	SCHMELZSICHERUNG 10X38 1A AM	FUSIBLE 10X38 1A AM	FUSIBILE 10X38 1A AM
B5293	*	FUSIBILE RITARDATO 5X20 4A T	FUSE 5X20 4A T	SCHMELZSICHERUNG 5X20 4A T	FUSIBLE 5X20 4A T	FUSIBILE 5X20 4A T
B5417		FLANGIA (TRASCINAMENTO) TR04	FLANGE	FLANSCH	BRIDE	BRIDA
B5421		TAPPO TC3 X VALVOLA STF38P	PLUG	SPULE	BOUCHON	TAPÓN
B5429		TAPPO DIN 908 1/4+RONDELL.RAME	PLUG	DECKEL	BOUCHON	TAPÓN
B5430		VALVOLA STF38P 11L/MIN	VALVE	VENTIL	SOUPAPE	VÁLVULA
B5656	*	PULSANTE GRIGIO + 1 ELEM. CONT. N.O.	GREY PUSH-BUTTON + 1 N.O. CONTACT	DRUCKKNOPF	BOUTON	PULSADOR
B6020		VITE TCEI M6X40 UNI 5931	SCREW TCEI M6X40 UNI 5931	SCHRAUBE TCEI M6X40 UNI 5931	VIS CHC M6 X 40 UNI 5931	TORNILLO TCEI M6X40 UNI 5931
B6347		SELETTORE 0-1 D.22 1XNO BIANCO	SELECTOR TO KEY 0/1	ZU BEFESTIGEN VORWAHL	SÉLECTEUR À VEROUILLER	SELECTOR A AFINAR
B6511		PORTAFUSIBILE 10X38 WIMEX PCH1	FUSE HOUSING 10X38 WIMEX PCH10X38	SCHMELZSICHERUNGHALTER	PORTE-FUSIBLE 10X38 WIMEX PCH 10X38	PORTAFUSIBLES 10X38 WIMEX PCH1
B6547		PORTAFUSIBILE TRIPOLARE 10X38	FUSE HOUSING	SICHERUNGSHALTER	PORTE-FUSIBLE	PORTAFUSIBLE
B6622R		QUADRO/T 400 SAT45 N/AT /09	ELECTRIC BOX 400/50	KASTEN DREHSTROM 400/50	COFFRET ÉLECTRIQUE 400/50	CUADRO ELÉCTRICO 400/50
B6623R		QUADRO/T 400 SAT45 LT/ATLT /09	ELECTRIC BOX 400/50	KASTEN DREHSTROM 400/50	COFFRET ÉLECTRIQUE 400V	CUADRO ELÉCTRICO 400V
B6626		SCHEDA EL.N-ATLT SAT45/09	ELECTRIC BOARD	ELEKTROKARTE	CARTE ELECTRIQUE	PLACA ELECTRONICA
B6629		SCHEDA INTERFACCIA N-ATLT/PG /09	CARD	KARTE	CARTE	TARJETA
B6671		RIFRANGENTE M80 SAT45 '10	REFRACTING	REFLEKTOR FOTOZELLE	PLAQUETTE REFLECTORISÉE	REFLECTANTE
B6683		SCATOLA EL. 160X120 SAT45	ELECTRIC BOX	ELEKTROKASTEN	BOÎTE ÉLECTRIQUE	CAJA ELECTRICA
B6694		KIT GUARNIZ.CIL.T1 SAT45-50'10	GASKETS KIT	DICHTUNGSSATZ	JEU DE JOINTS	JUEGO DE JUNTAS
B6695		KIT GUARNIZ.CIL.T2 SAT45-50'10	GASKETS KIT	DICHTUNGSSATZ	JEU DE JOINTS	JUEGO DE JUNTAS
B6927		PORTA PATTINO INF.SAT45 ZB				
B6928		PATTINO INFERIORE SAT45				
B6929		PORTA PATTINO SUP.SAT45 ZB				
B6930		PATTINO SUPERIORE SAT45				
B6932		PIATTO CHIU.GUID.BASE SAT45 ZB				
B6971		ATTACCO RAMPA SAT.45-50 ZB				
B6972XX		FERMARUOTA BASC.SAT45/50				
B6974		PERNO ATTAC.RAMPA SAT.45-50 ZB				
B7088XX		LEVA INTERNA SAT45/50 AN.S '11				
B7089XX		BASAMENTO SAT45/50 SMS 3002'11				



B7090		SICUR.MECC.SMON.SAT45-50 ZB'11				
B7091		SPESS.PORTA PATTINO S45-50 ZB				
B7092		PERNO PATT.E SICURA S45-50 ZB				
B7246		MICROINTERRUT.SIC. 10,5MT*	MICROSWITCH	MIKROSCHALTER	CONTACT	MICROINTERRUPTOR
B7772		SOLENOIDE S-CE 24VCC SENZ.CONN	SOLENOID	SOLENOID	SOLÉNOÏDE	SOLENOIDE
C0088		MANOMETRO P Ø40 1/8 10 BAR	P. GAUGE Ø40 1/8 10 BAR	MANOMETER P Ø40 1/8 10 BAR	MANOMÈTRE P Ø40 1/8 10 BARS	MANÓMETRO POST Ø40 1/8 10 BAR
C0339		TUBO RILSAN 8X6 NERO	RILSAN HOSE D8X6	SCHLAUCH D.8X6	TUYAU RILSAN D.8X6	TUBO RILSAN Ø8X6
C0346		RIDUZIONE F-M 1/4X1/8	REDUCTION M-F-M 1/4X1/8	REDUKTION F-M 1/4X1/8	RÉDUCTION F-M 1/4X1/8	REDUCCIÓN
C0630		RONDELLA IN RAME Ø14X20	COPPER WASHER Ø14X20	MUTTER M10 UNI 5588	ECROU M10 UNI 5588	TUERCA
C0678		RACCORDO "Y" F-M-F 1/4	"Y" CONNECTION F-M-F 1/4	"Y" ANSCHLUSSKEGEL F-M-F 1/4"	RACCORD "Y" F-M-F 1/4	RACOR "Y"
C0875		RACCORDO RAPIDO DIRITTO M 1/4X6	RAPID CONNECTION M1/4XPIPE 6	SCHNELLANSCHLUß 1/4 X SCHLAUCH 6	RACCORD RAPIDE M1/4 X TUYAU 6	CONEXION
C1719		RACCORDO "T" F-F-F D8	"T" CONNECTION F-F-F D8	L-ANSCHLUSS "T" F-F-F D8	RACCORD "T" F-F-F D8	CONEXION "T" F-F-F D8
C1971		RIDUTTORE FILT.TAZ.MET.SC.M.	FILTER REGULATOR	RÉGLER FILTER	RÉDUCTEUR FILTRE	REDUCTOR FILTRO
R0046		DADO MEDIO M12 UNI 5588	NUT M12	MUTTER M12 UNI 5588	ECROU M12 UNI 5588	TUERCA M12 UNI 5588
R0068		SEEGER E30 UNI 7435	SNAP RING E30 UNI 7435	SEEGER E30 UNI 7435	ANNEAU DE FIXAGE E30 UNI 7435	SEEGER E30 UNI 7435
R0132		RONDELLA RAME 3/8"	WASHER 3/8" UNI 7989	KUPFERSCHEIBE 3/8"	RONDELLE 3/8" UNI 7989	ARANDELA DE COBRE 3/8"
R0171		SEEGER E45 UNI 7435	SEEGER E45 UNI 7435	SEEGER-RING E45 UNI 7435	BAGUES E45 UNI 7435	SEEGER
R0662		RIDUZIONE M-F 3/8X1/4 IDR.	REDUCTION M-F 3/8X1/4 IDR.	REDUKTION M-F 3/8X1/4 IDR.	RÉDUCTION	REDUCCIÓN
R0821		VITE FORATA DOPPIA 1/4	HOLED SCREW	SCHRAUBE	BOUCHON RENIFLARD	TORNILLO CON ORIFICIO
R0822		NIPPLO M-M 1/4 IDRAUL.	NIPPLE	DOPPEL GEWINDENIPPEL	NIPPLE	NIPLE
R1231		TUBO ASPIRAZIONE CENT.262	SUCTION PIPE	ANSAUGROHR	TUBE ASPIRATION	TUBO ASPIRACION
R1239		BLOCCETTO DISTANZ.CEN.262	BLOCK	BLOCK	CORPS	BLOQUE
R1342	*	FILTRO ASPIR.3/8" CENTRALINA	AIR FILTER	ANSAUGFILTER	FILTRE ASPIRATION	FILTRO DE ASPIRACION
R1351		CONNETTORE TRASP.LED 24VDC	CONNECTOR FOR SOLENOID VALVE 24VDC	ANSCHLUSS FUER MAGNETVENTIL 24VDC	CONNECTEUR POUR ELECTROVANNE24VDC	CONECTOR+RECTIFICADOR 24VDC
R1378		PULSANTE PARCHEGGIO	PUSH BUTTON	DRUCKKNOPF	BOUTON	PULSADOR
R2095		DADO M14 UNI 5588	NUT M14 UNI 5588	MUTTER M14 UNI 5588	ECROU M14 UNI 5588	TUERCA M14 UNI 5588
R3034		RACCORDO "L" M/M 1/4"	"L" CONNECTION M/M 1/4"	"L"-ANSCHLUSS	RACCORD "L" M/M 1/4"	CONEXION "L" M/M 1/4"
S3514		BOCCOLA AUTOLUBR.35X39X40	SELF LUBRIFICATING BUSHING 35X39X40	SELBSTSCHMIERENDE BUCHSE 35X39X40	DOUILLE AUTOLUBRIFIANTE 35X39X40	CASQUILLO AUTOLUBR.35X39X40
S4012		BULLONE FORATO 3/8"	3/8" HOLED BOLT	HALTEBOLZEN 3/8"	VIS BANJO 3/8"	BULON TALADRADO 3/8"
S4504		NIPPLO 3/8"-1/4"	3/8"-1/4" NIPPLES	DOPPEL – GEWINDENIPPEL 3/8"- 1/4"	MANCHON RÉDUCTEUR 3/8"-1/4"	NIPLE 3/8"-1/4"
S6000	*	MOTORE TRIFASE 230-400V/50HZ 3 KW	MOTOR THREE-PHASE 230-400V/50HZ 3 KW	MOTOR DREHSTROM 230-400V/50HZ 3KW	MOTEUR TRIPHASÉ 230-400V/50HZ 3KW	MOTOR TRIFASICO 230-400V/50HZ 3 KW
YS0066		MANOMETRO R.D100 100BAR INOX	GAUGE R R.D100 100BAR INOX	MANOMETER R.D100 100BAR INOX	MANOMÈTRE R.D100 100BAR INOX	MANÓMETRO R.D100 100BAR INOX
Z_RICAMBI		* = RICAMBI CONSIGLIATI	* = RECOMMENDED SPARE PARTS	* = EMPFOHLENE E-TEILE	* = PIECES DE RECHANGE CONSEILLEES	* = REPUESTOS ACONSEJAIOS