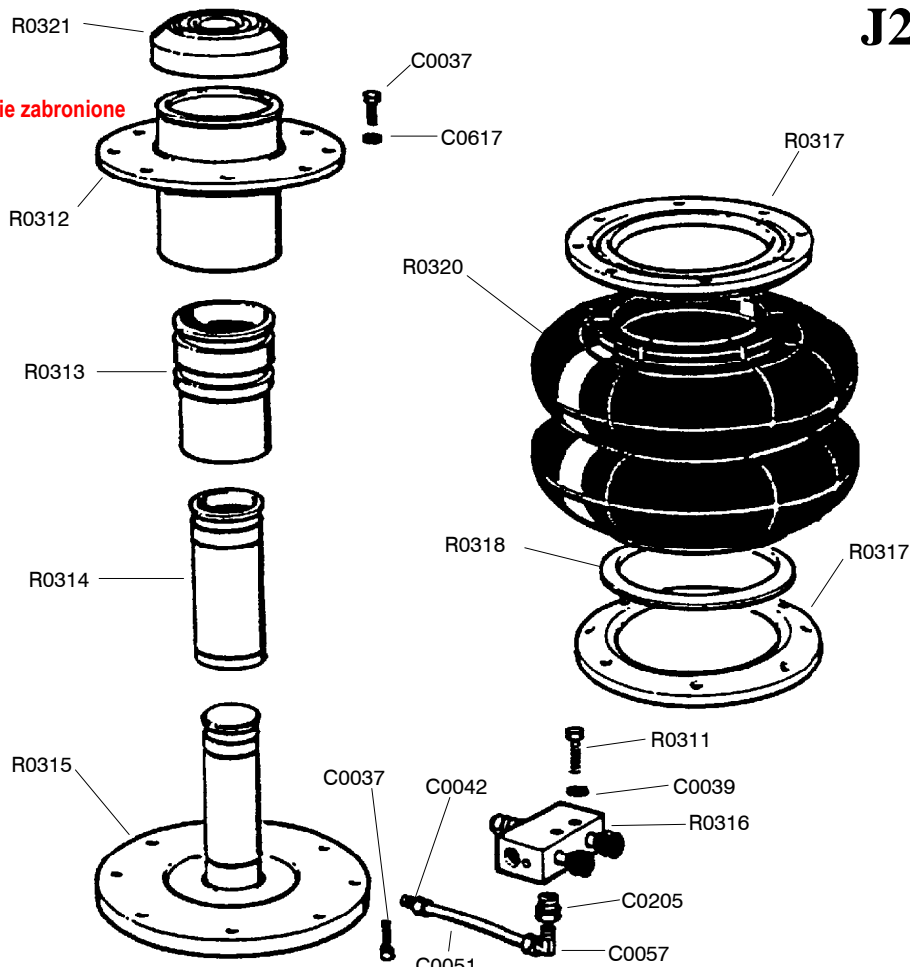


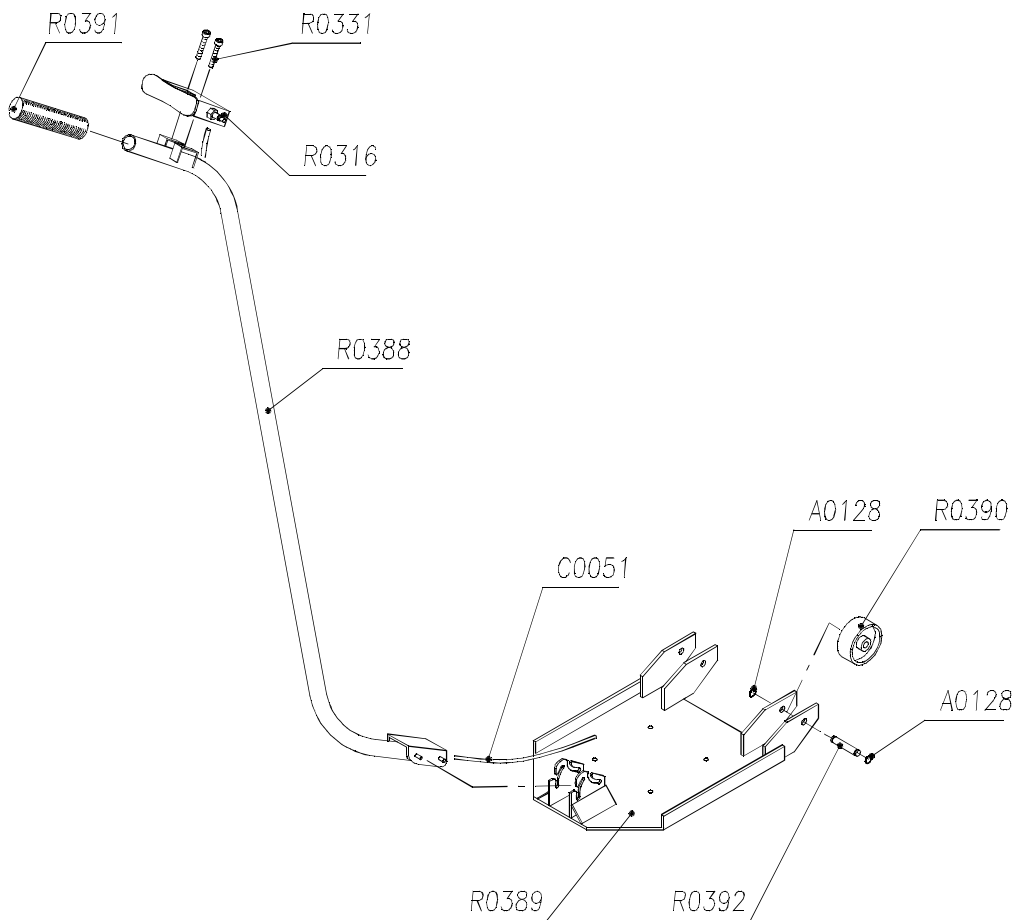
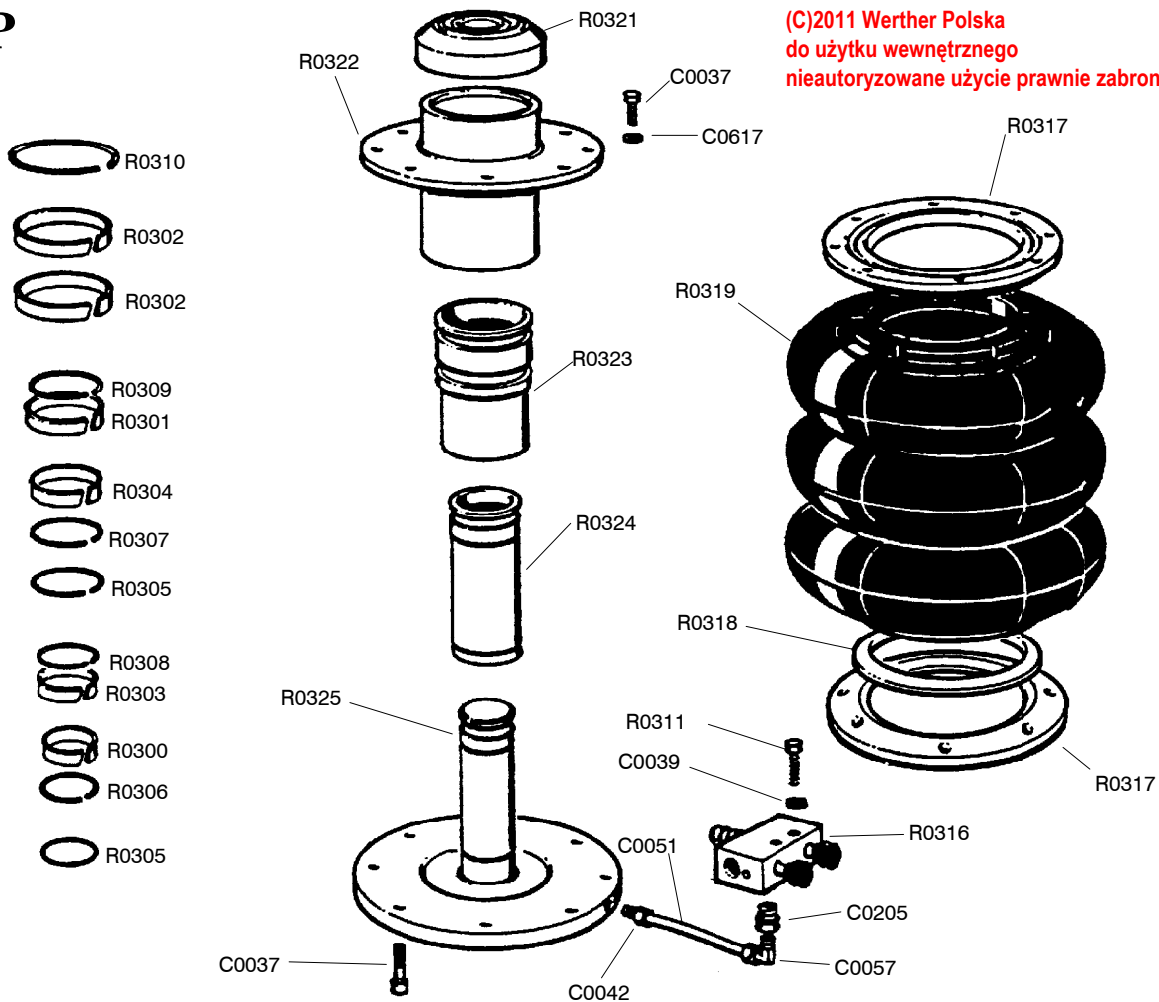
(C)2011 Werther Polska  
do użytku wewnętrznego  
nieautoryzowane użycie prawnie zabronione

-  R0310
-  R0302
-  R0302
-  R0309
-  R0301
-  R0304
-  R0307
-  R0305
-  R0308
-  R0303
-  R0300
-  R0306
-  R0305



# J3P

(C)2011 Werther Polska  
do użytku wewnętrznego  
nieautoryzowane użycie prawnie zabronione



Code	Descrizione	Description	Beschreibung	Désignation
A0128	SEEGER E12 UNI 7435	SNAP RING E12 UNI 7435	SEEGER E12 UNI 7435	CIRCLIP E12 UNI 7435
C0037	VITE TCEI M6X20 UNI 5931 ZB	SCREW TCEI 6X20 UNI 5931	SCHRAUBE M6X20 8.8	VIS TCEI M6X20 UNI 5931 ZB
C0039	RONDELLA Ø5 ZINCATA	WASHER Ø5X10 UNI 6592	SCHEIBE Ø5X10 UNI 6592	RONDELLE PLATE Ø5X10 UNI 6592
C0042	RACCORDO RAP.DIR.M 1/8X6	QUICK MALE FITTING 1/8" X PIPE 6	SCHNELLANSCHLUß 1/8" X SCHLAUCH 6	RACCORD RAPIDE 1/8" X TUYAU 6
C0051	TUBO RILSAN 6X4 NERO L=500	RILSAN HOSE D.6X4 L=580	SCHLAUCH 6X4 L=580	TUYAU RILSAN D.6X4 L=580
C0057	RACCORDO "L" M 1/8X6	UNION ELBOW 1/8" X PIPE Ø6	KNIESTÜCK 1/8" X SCHLAUCH Ø6	RACCORD COUDÉ 1/8"
C0205	RIDUZIONE M-F 1/8"	NIPPLE M 1/8" X F 1/8"	REDUKTION M 1/8" X F 1/8"	RACCORD FILETÉ M 1/8" X F 1/8"
C0617	RONDELLA Ø6,4X12,5 UNI 6592	WASHER Ø6,4X12,5 UNI 6592	SCHEIBE Ø6,4X12,5 UNI 6592	RONDELLE Ø6,4X12,5 UNI 6592
R0300	ANELLO DI GUIDA WRE40 CRIC	GUIDE RING WRE40	FÜHRUNGSRING WRE40	BAGUE DE GUIDAGE WRE40
R0301	ANELLO DI GUIDA WRE50 CRIC	GUIDE RING WRE50	FÜHRUNGSRING WRE50	BAGUE DE GUIDAGE WRE50
R0302	ANELLO DI GUIDA WRE65 CRIC	GUIDE RING WRE65	FÜHRUNGSRING WRE65	BAGUE DE GUIDAGE WRE65
R0303	ANELLO DI GUIDA WRI40 CRIC	GUIDE RING WRI40	FÜHRUNGSRING WRI40	BAGUE DE GUIDAGE WRI 40
R0304	ANELLO DI GUIDA WRI50 CRIC	GUIDE RING WRI50	FÜHRUNGSRING WRI50	BAGUE DE GUIDAGE WRI 50
R0305	O'RING 3137	O'RING 3137	O-RING 3137	JOINT TORIQUE 3137
R0306	ANELLO A38 UNI 7433	STOPPING RING A38 UNI 7433	SPERR-RING A38 UNI 7433	BAGUE D'ARRÊT A36 UNI 7433
R0307	ANELLO A48 UNI 7433	STOPPING RING A48 UNI 7433	SPERR-RING A48 UNI 7433	BAGUE D'ARRÊT A48 UNI 7433
R0308	ANELLO B45 UNI 7433	STOPPING RING B45 UNI 7433	SPERR-RING B45 UNI 7433	BAGUE D'ARRÊT B45 UNI 7433
R0309	ANELLO B55 UNI 7433	STOPPING RING B55 UNI 7433	SPERR-RING B55 UNI 7433	BAGUE D'ARRÊT B55 UNI 7433
R0310	ANELLO B65 UNI 7433	STOPPING RING B65 UNI 7433	SPERR-RING B65 UNI 7433	BAGUE D'ARRÊT B65 UNI 7433
R0311	VITE TCEI M5X30 UNI 5931	SCREW TCEI 5X30 UNI 5931	SCHRAUBE TCEI 5X30 UNI 5931	VIS TCSPC 5X30 UNI 5931
R0312	TESTATA SUPERIORE CRIC	UPPER HEAD	OBERER KOPF	TÊTE SUPÉRIEURE
R0313	TELESCOPIO DI GUIDA CRIC	GUIDING TELESCOPE	FÜHRUNGSTELESKOP	TÉLESCOPE DE GUIDAGE
R0314	TELESCOPIO DI GUIDA CRIC	GUIDING TELESCOPE	FÜHRUNGSTELESKOP	TÉLESCOPE DE GUIDAGE
R0315	BASAMENTO CRIC	BASEMENT	SOCKEL	BASE
R0316	DISTRIBUTORE CRIC	DISTRIBUTOR	VERTEILER	DISTRIBUTEUR
R0317	ANELLO DI FISSAGGIO CRIC	FIXING RING	BEFESTIGUNGSRING	BAGUE DE FIXATION
R0318	ANELLO CENTRALE CRIC	CENTRAL RING	MITTLERER RING	BAGUE CENTRAL
R0319	SOFFIETTO A 3 STADI CRIC	3 STAGE BELLOWS	BLASEBALG MIT 3 STADIEN	SOUFFLET À TROIS ÉTAGES
R0320	SOFFIETTO A 2 STADI CRIC	2 STAGE BELLOWS	BLASEBALG MIT 2 STADIEN	SOUFFLET À DEUX ÉTAGES
R0321	PIATTELLO CRIC	CAP	PLATTE	SOUCOUPE
R0322	TESTATA SUPERIORE CRIC	UPPER HEAD	OBERER KOPF	TÊTE SUPÉRIEURE

R0323	TELESCOPIO DI GUIDA CRIC	GUIDING TELESCOPE	TELESKOPFÜHRUNG	TÉLESCOPE DE GUIDAGE
R0324	TELESCOPIO DI GUIDA CRIC	GUIDING TELESCOPE	TELESKOPFÜHRUNG	TÉLESCOPE DE GUIDAGE
R0325	BASAMENTO CRIC	BASEMENT	SOCKEL	BASE
R0331	MOLLA PER MORSETTO	CLAMP SPRING	FEDER	RESSORT
R0388	MANICO	HANDLE	DREHKNOPF	BRANCHE
R0389	BASE	BASE	GRUNDRAHMEN	EMBASE
R0390	RUOTA	WHEEL	RAD	ROUE
R0391	MANIGLIA	HANDLE	HANDGRIFF	POIGNEE
R0392	PERNO RUOTA	PIN	ZAPFEN	AXE
Z_ZCONS	* = RICAMBI CONSIGLIATI	* = RECOMMENDED SPARE PARTS	* = EMPFOHLENE E-TEILE	* = PIECES DE RECANGE CONSEILLEES