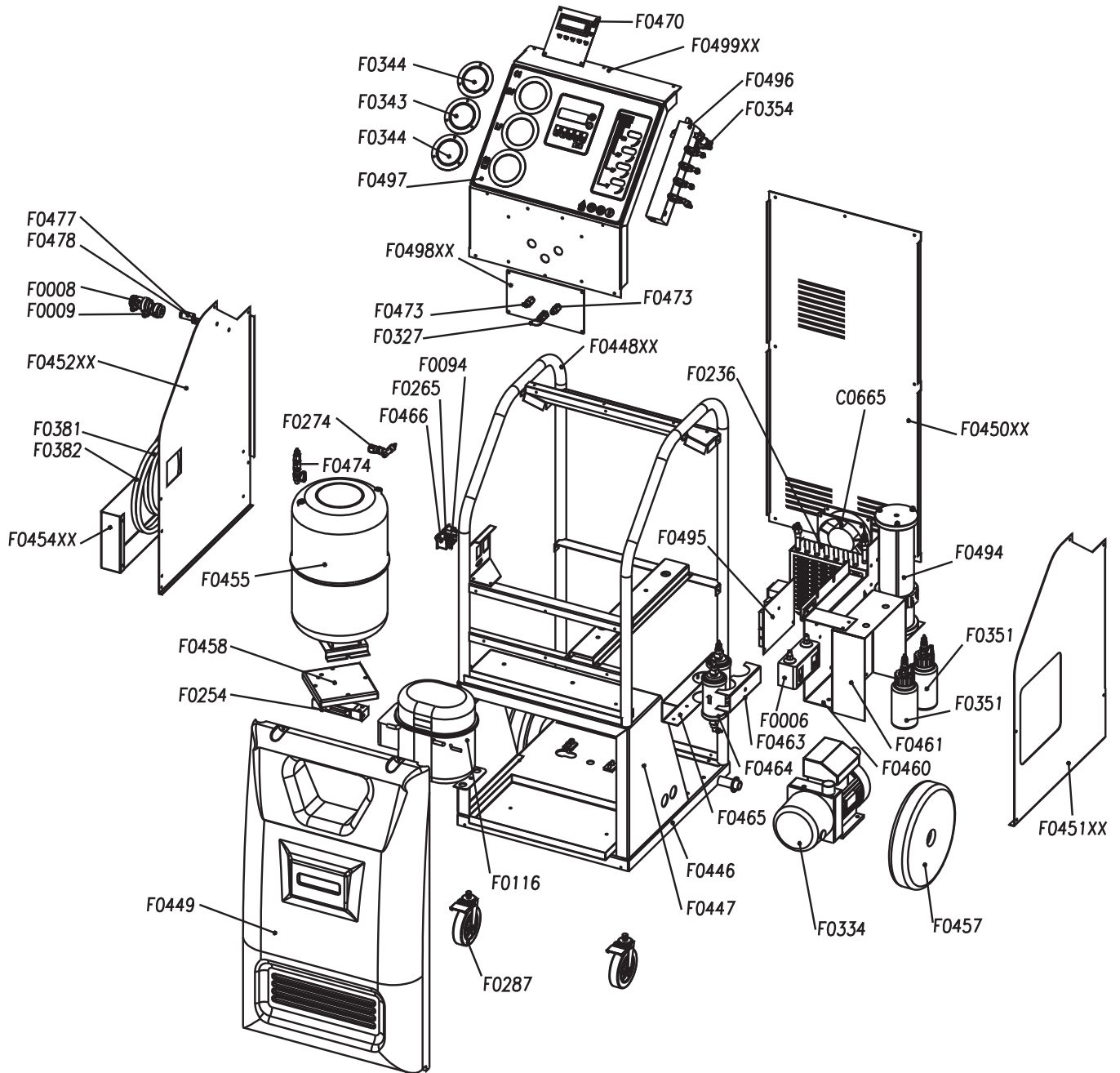


(C)2011 Werther Polska
do użytku wewnętrznego
nieautoryzowane użycie prawnie zabronione



Part Code	Sugg	Descrizione	Description	Beschreibung	Description	Denominacion
C0665		VENTOLA A SCATOLA 120X120 230/50	COOLING FAN 120X120 230/50	LAUFRAD 120X120 230/50	VENTILATEUR 230/50	VENTILADOR 120X120 230/50
F0006	*	PRESSOSTATO KP15	PRESSURE SWITCH KP15	DRUCKWÄCHTER KP15	PRESSOSTAT	PRESÓSTATO KP15
F0008	*	ATTACCO RAPIDO+RUBINETTO 1/4 SAE BLU	QUICK COUPLING 1/4 SAE BLU	SCHNELLANSCHLUSSKUPPLUNG+HAN 1/4 SAE BLAU	RACCORD RAPIDE BP	CONEXION RAPIDA+LLAVE 1/4 SAE AZUL
F0009	*	ATTACCO RAPIDO+RUBINETTO1/4 SAE ROSSO	QUICK COUPLING 1/4 SAE RED	SCHNELLANSCHLUSSKUPPLUNG+HAN 1/4 SAE ROT	RACCORD RAPIDE HP	CONEXION RAPIDA+LLAVE 1/4 SAE ROJA
F0094	*	INTERRUTTORE GENERALE	MAIN SWITCH	HAUPTSCHALTER	INTERRUPTEUR GÉNÉRAL	INTERRUPTOR GENERAL
F0116	*	GLTB90+TUBI RAME 230/50	COMPRESSOR GL90 TB 230/50	KOMPRESSOR GL90 TB 230/50	COMPRESSEUR GL90 TB 230/50	COMPRESOR GL90 TB 230/50
F0236	*	RADIATORE	RADIATOR	RADIATOR	RADIATEUR	RADIADOR
F0254	*	CELLA DI CARICO GAS	GAS LOAD CELL	GASLADEZELLE	CELLULE DE CHARGE	CELDA DE CARGA GAS
F0265		PRESA CON FUSIBILE	EL.OUTLET WITH FUSE	STECKDOSE MIT SCHMELZSICHERUNG	PRISE DE COURANT AVEC FUSIBLE	ENCHUFE CON FUSIBLE
F0274		VALVOLA SIC.1/8 11BAR	SAFETY VALVE 1/8 11BAR	SICHERHEITSVENTIL 1/8 11BAR	SOUPAPE SECURITE' 1/8 11BAR	VÁLVULA DE SEGURIDAD 1/8 11BAR
F0287		RUOTA GIREVOLE CON FRENO D.95	ROTATING WHEEL D.95 WITH BRAKE	DREHBARES RAD MIT BREMSE D.95	ROUE D.95 AVANT AVEC FRAIN	RUEDA D.95 CON FRENO
F0327	*	VALVOLA SIC.1/8 15BAR+AN CAT2	SAFETY VALVE 1/8 15BAR+AN CAT2	SICHERHEITSVENTIL 1/8 15BAR+AN CAT2	SOUPAPE SECURITE' 1/8 15BAR+AN CAT2	VÁLVULA DE SEGURIDAD 1/8 15BAR+AN CAT2
F0334		POMPA A VUOTO 80L/M 230/50 900	PUMP	PUMPE	POMPE	BOMBA
F0343	*	MANOMETRO COLL.BP-1+12BAR 1/8	LOW PRESSURE GAUGE -1+12BAR	MANOMETER COLL.BP-1+12BAR	MANOMETRE BASSE PRESSION -1+12BAR	MANOMETRO COLL.AP—1+12BAR
F0344	*	MANOMETRO COLL.AP-1+30BAR 1/8	HIGH PRESSURE GAUGE -1+30 BAR	MANOMETER COLL.AP-1+30BAR	MANOMETRE HAUTE PRESSION	MANOMETRO COLL.AP-1+30BAR
F0351		FLACONE PVC LT 0,250+TAPPO FOR	PVC BOTTLE	FLAKON PVC	FLACON	CONTENEDOR PVC
F0354	*	ELETTROVALVOLA 1/8+SOLENOIDE	ELECTRO-VALVE	ELEKTROVENTIL	ELECTROVANNE	ELECTROVÁLVULA
F0381		TUBO FLESS.WSA-72ROSSO L=3000	FLEX HOSE H-DA 72 RED L=3000	SCHLAUCH H72 ROT L=3000	FLEXIBLE HP L=3000	TUBO L=3000
F0382		TUBO FLESS.WSA-72 BLU L=3000	FLEX PIPE H-DA 72 BLUE L=3000	SCHLAUCH H72 BLAU L=3000	FLEXIBLE BP L=3000	TUBO L=3000
F0446		BASE AC920-940-950	BASE	GRUNDLAGE	CHÂSSIS	BASE
F0447		COPERTURA INTERNA AC920-940-950	COVER	DECKEL	COUVERCLE	TAPA
F0448XX		TELAIO AC920-940-950 9005	FRAME	GESTELL	CHÂSSIS	BASTIDOR
F0449		CARTER TERMOFORMATO AC920-940-950	CASING	GEHÄUSE	CARTER	CÁRTER
F0450XX		COPERCHIO POST.AC920-940 9005	COVER	DECKEL	COUVERCLE	TAPA
F0451XX		PANNELLO DX AC920-940-950 9005	PANEL	BLECH	PANNEAU	PANEL
F0452XX		PANNELLO SX AC920-940-950 9005	PANEL	VORDERTAFEL	PANNEAU	PANEL
F0454XX		PORTA DOCUMENTI AC920-940 9005	DOCUMENTS CASE	DOKUMENT-KASTEN	CAISSE DE DOCUMENTS	CAJA DE LOS DOCUMENTOS
F0455	*	RICEVITORE LIQUIDO LT.12 AC940	TANK LT 12	FLÜSSIGKEITSEMPFÄNGER LT 12	BONBONNE	DEPOSITO LT 12
F0457		RUOTA D250 AC920-940-950	WHEEL D250	RAD D250	ROUE D250	RUEDA D250

F0458		PIATTO BILANCIA AC920-940-950	BALANCE PLATE	BALANCE PLATTE	PLAT D'ÉQUILIBRE	PLACA DEL BALANCE
F0460		SUPPORTO INTERNO AC920-940-950	SUPPORT	HALTER	SUPPORT	SOPORTE
F0461		COPERTURA BOTTIGLIE AC920-940-950	COVER	DECKEL	COUVERCLE	TAPA
F0463		STAFFA FISSAGGIO FILTRI AC920-940-9	SUPPORT	BÜGEL	ETRIER	GRAPA
F0464	*	FILTRO DISIDRATATORE 130A005	DEUMIDIFICATION FILTER 130A005	ENTFEUCHTERFILTER 130A005	FILTRE 130A005	FILTRO DESHIDRATADOR 130A005
F0465		SUPPORTO FILTRI AC920-940-950	SUPPORT	HALTER	SUPPORT	SOPORTE
F0466		CONNETTORE RS232+INTERFACCIA	CONNECTOR	ANSCHLUSS	CONNECTEUR	CONECTOR
F0470	*	SCHEDA DISPLAY AC920-940-950	DISPLAY BOARD	KARTE DISPLAY	CIRCUIT IMPRIME DISPLAY	PLACA DISPLAY
F0473	*	FILTRO INGRESSO AC920-940-950	FILTER	FILTER	FILTRE	FILTRO
F0474	*	VALVOLA N/RITORNO MM 1/8	CHECK VALVE 1/8	RÜCKSCHLAGVENTIL 1/8	CLAPET ANTI-RETOUR 1/8	VÁLVULA DE NO RETROCESO 1/8
F0477		SUPPORT O RUBINETTO HP	COCK SUPPORT HP	HAHN UNTERSTÜTZUNG HP	APPUI DE ROBINET HP	AYUDA DEL MARTILLO HP
F0478		SUPPORTO RUBINETTO BP	COCK SUPPORT BP	HAHN UNTERSTÜTZUNG BP	APPUI DE ROBINET BP	AYUDA DEL MARTILLO HP
F0494		SEPARATORE COMPLETO AC950	OIL SEPARATOR	ÖLABSCHEIDER	SEPARATEUR HUILE	SEPARADOR
F0495		SCHEDA ELABOR.AC950	ELECTRIC BOARD	COMPUTERKARTE	CIRCUIT IMPRIME ORDINATEUR	PLACA ELABORADOR
F0496		MASSELLO RUBINETTI AC950	DISTRIBUTOR BLOCK	VERTEILER	BLOC DE DISTRIBUTION	DISTRIBUIDOR
F0497		ETICHETTA SUPERIORE POLIC.AC950	LABEL AC950	AUFKLEBER AC950	ETIQUETTE AC950	ETIQUETA AC950
F0498XX		SUPPORTO INGRESSI AC950	SUPPORT	HALTER	SUPPORT	SOPORTE
F0499XX		PLANCIA MANOM.AC950	CONTROL PANEL	STEUERVERKLEIDUNG	TABEAU	PLANCHA
Z_RICAMBI		* = RICAMBI CONSIGLIATI	* = RECOMMENDED SPARE PARTS	* = EMPFOHLENE E-TEILE	* = PIECES DE RECHANGE CONSEILLEES	* = REPUESTOS ACONSEJAIOS