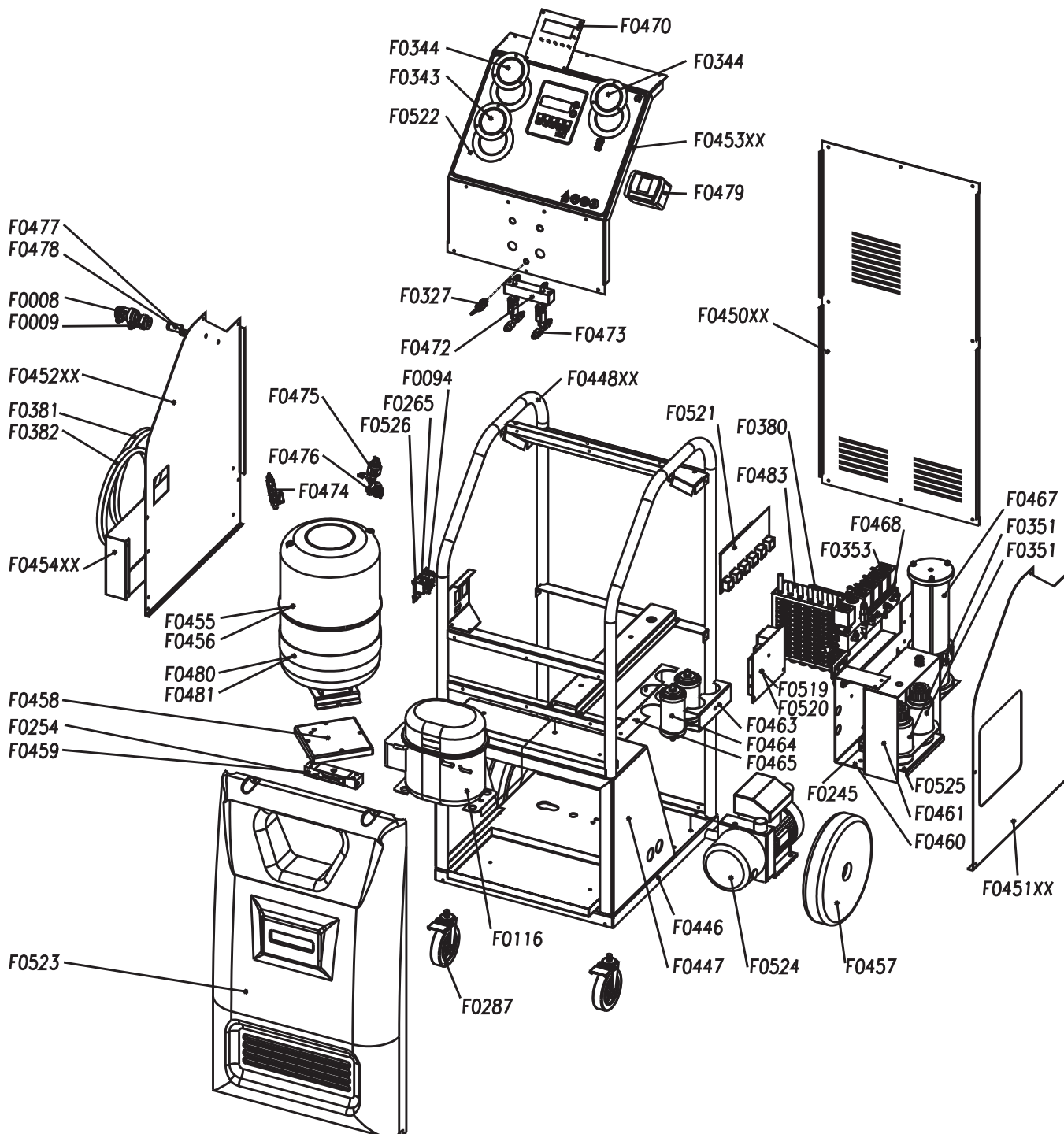


(C)2011 Werther Polska
do użytku wewnętrznego
nieautoryzowane użycie prawnie zabronione



Part Code	Sugg	Descrizione	Description	Beschreibung	Description	Denominacion
F0008	*	ATTACCO RAPIDO+RUBINETTO 1/4 SAE BLU	QUICK COUPLING 1/4 SAE BLU	SCHNELLANSCHLUSSKUPPLUNG+HA HN 1/4 SAE BLAU	RACCORD RAPIDE BP	CONEXION RAPIDA+LLAVE 1/4 SAE AZUL
F0009	*	ATTACCO RAPIDO+RUBINETTO1/4 SAE ROSSO	QUICK COUPLING 1/4 SAE RED	SCHNELLANSCHLUSSKUPPLUNG+HA HN 1/4 SAE ROT	RACCORD RAPIDE HP	CONEXION RAPIDA+LLAVE 1/4 SAE ROJA
F0094	*	INTERRUTTORE GENERALE	MAIN SWITCH	HAUPTSCHALTER	INTERRUPTEUR GÉNÉRAL	INTERRUPTOR GENERAL
F0116	*	GLTB90+TUBI RAME 230/50	COMPRESSOR GL90 TB 230/50	KOMPRESSOR GL90 TB 230/50	COMPRESSEUR GL90 TB 230/50	COMPRESOR GL90 TB 230/50
F0245	*	CELLA CARICO OLIO	OIL LOAD CELL	ÖLLADEZELLE	CELLULE DE CHARGE	CELDA DE CARGA ACEITE
F0254	*	CELLA DI CARICO GAS	GAS LOAD CELL	GASLADEZELLE	CELLULE DE CHARGE	CELDA DE CARGA GAS
F0265		PRESA CON FUSIBILE	EL.OUTLET WITH FUSE	STECKDOSE MIT SCHMELZSICHERUNG	PRISE DE COURANT AVEC FUSIBLE	ENCHUFE CON FUSIBLE
F0287		RUOTA GIREVOLE CON FRENO D.95	ROTATING WHEEL D.95 WITH BRAKE	DREHBARES RAD MIT BREMSE D.95	ROUE D.95 AVANT AVEC FRAIN	RUEDA D.95 CON FRENO
F0327	*	VALVOLA SIC.1/8 15BAR+AN CAT2	SAFETY VALVE 1/8 15BAR+AN CAT2	SICHERHEITSVENTIL 1/8 15BAR+AN CAT2	SOUPAPE SECURITE' 1/8 15BAR+AN CAT2	VÁLVULA DE SEGURIDAD 1/8 15BAR+AN CAT2
F0343	*	MANOMETRO COLL.BP-1+12BAR 1/8	LOW PRESSURE GAUGE -1+12BAR	MANOMETER COLL.BP-1+12BAR	MANOMETRE BASSE PRESSION -1+12BAR	MANOMETRO COLL.AP—1+12BAR
F0344	*	MANOMETRO COLL.AP-1+30BAR 1/8	HIGH PRESSURE GAUGE -1+30 BAR	MANOMETER COLL.AP-1+30BAR	MANOMETRE HAUTE PRESSION	MANOMETRO COLL.AP-1+30BAR
F0351		FLACONE PVC LT 0,250+TAPPO FOR	PVC BOTTLE	FLAKON PVC	FLACON	CONTENEDOR PVC
F0353	*	ELETTROVALVOLA FLANGIATA+SOLENOIDE	ELECTRO-VALVE	ELEKTROVENTIL	ELECTROVANNE	ELECTROVÁLVULA
F0380		ALIMENTATORE STAMPANT.FR2002.4	POWER SUPPLY	SPG.VERSORGUNGSTEIL	ALIMENTATION D'ÉNERGIE	FUENTE DE ALIMENTACIÓN
F0381		TUBO FLESS.WSA-72ROSSO L=3000	FLEX HOSE H-DA 72 RED L=3000	SCHLAUCH H72 ROT L=3000	FLEXIBLE HP L=3000	TUBO L=3000
F0382		TUBO FLESS.WSA-72 BLU L=3000	FLEX PIPE H-DA 72 BLUE L=3000	SCHLAUCH H72 BLAU L=3000	FLEXIBLE BP L=3000	TUBO L=3000
F0446		BASE AC920-940-950	BASE	GRUNDLAGE	CHÂSSIS	BASE
F0447		COPERTURA INTERNA AC920-940-950	COVER	DECKEL	COUVERCLE	TAPA
F0448XX		TELAIO AC920-940-950 9005	FRAME	GESTELL	CHÂSSIS	BASTIDOR
F0450XX		COPERCHIO POST.AC920-940 9005	COVER	DECKEL	COUVERCLE	TAPA
F0451XX		PANNELLO DX AC920-940-950 9005	PANEL	BLECH	PANNEAU	PANEL
F0452XX		PANNELLO SX AC920-940-950 9005	PANEL	VORDERTAFEL	PANNEAU	PANEL
F0453XX		PLANCIA MANOM.AC920-940 9005	CONTROL PANEL	STEUERVERKLEIDUNG	TABEAU	PLANCHA
F0454XX		PORTA DOCUMENTI AC920-940 9005	DOCUMENTS CASE	DOKUMENT-KASTEN	CAISSE DE DOCUMENTS	CAJA DE LOS DOCUMENTOS
F0455	*	RICEVITORE LIQUIDO LT.12 AC940	TANK LT 12	FLÜSSIGKEITSEMPFÄNGER LT 12	BONBONNE	DEPOSITO LT 12
F0456	*	RICEVITORE LIQUIDO LT.22 AC920	TANK LT 22	FLÜSSIGKEITSEMPFÄNGER LT 22	BONBONNE LT 22	DEPOSITO LT 22
F0457		RUOTA D250 AC920-940-950	WHEEL D250	RAD D250	ROUE D250	RUEDA D250
F0458		PIATTO BILANCIA AC920-940-950	BALANCE PLATE	BALANCE PLATTE	PLAT D'ÉQUILIBRE	PLACA DEL BALANCE
F0459	*	CELLA DI CARICO GAS 50KG AC920-94	LOAD CELL	GASLADEZELLE	CELLULE DE CHARGE	CELDA DE CARGA GAS
F0460		SUPPORTO INTERNO AC920-940-950	SUPPORT	HALTER	SUPPORT	SOPORTE
F0461		COPERTURA BOTTIGLIE AC920-940-950	COVER	DECKEL	COUVERCLE	TAPA

F0463		STAFFA FISSAGGIO FILTRI AC920-940-9	SUPPORT	BÜGEL	ETRIER	GRAPA
F0464	*	FILTRO DISIDRATATORE 130A005	DEUMIDIFICATION FILTER 130A005	ENTFEUCHTERFILTER 130A005	FILTRE 130A005	FILTRO DESHIDRATADOR 130A005
F0465		SUPPORTO FILTRI AC920-940-950	SUPPORT	HALTER	SUPPORT	SOPORTE
F0467	*	SEPARATORE COMPLETO AC920-940	OIL SEPARATOR	ÖLABSCHEIDER	SEPARATEUR HUILE	SEPARADOR
F0468		DISTRIBUTORE PRINCIPALE AC920-940	DISTRIBUTOR	VERTEILER	DISTRIBUTEUR	DISTRIBUIDOR
F0470	*	SCHEDA DISPLAY AC920-940-950	DISPLAY BOARD	KARTE DISPLAY	CIRCUIT IMPRIME DISPLAY	PLACA DISPLAY
F0472		DISTRIBUTORE INGRES AC920-940	DISTRIBUTOR	VERTEILER	DISTRIBUTEUR	DISTRIBUIDOR
F0473	*	FILTRO INGRESSO AC920-940-950	FILTER	FILTER	FILTRE	FILTRO
F0474	*	VALVOLA N/RITORNO MM 1/8	CHECK VALVE 1/8	RÜCKSCHLAGVENTIL 1/8	CLAPET ANTI-RETOUR 1/8	VÁLVULA DE NO RETROCESO 1/8
F0475	*	PRESSOST.NC 8BAR	PRESSURE SWITCH 8BAR	DRUCKWÄCHTER 8BAR	PRESSOSTAT 8BAR	PRESOSTATO 8BAR
F0476	*	PRESSOST.NA 15BAR	PRESSURE SWITCH 15BAR	DRUCKWÄCHTER 15BAR	PRESSOSTAT 15BAR	PRESOSTATO 15BAR
F0477		SUPPORT O RUBINETTO HP	COCK SUPPORT HP	HAHN UNTERSTÜTZUNG HP	APPUI DE ROBINET HP	AYUDA DEL MARTILLO HP
F0478		SUPPORTO RUBINETTO BP	COCK SUPPORT BP	HAHN UNTERSTÜTZUNG BP	APPUI DE ROBINET BP	AYUDA DEL MARTILLO HP
F0479		STAMPANTE AC920-940-950	PRINTER	DRUCKER	IMPRIMANTE	IMPRIME
F0480	*	RESISTENZA FASC.AC920	RESISTANCE AC920	WIDERSTAND AC920	RESISTANCE AC920	RESISTENCIA AC920
F0481	*	RESISTENZA FASC.AC940	RESISTANCE AC940	WIDERSTAND AC940	RESISTANCE AC940	RESISTENCIA AC940
F0483	*	RADIATORE COMPLETO AC920-940-9	RADIATOR	KÜHLER	RADIATEUR	RADIADOR
F0519		SCHEDA ELABOR.AC940/11	ELECTRIC BOARD	COMPUTERKARTE	CIRCUIT IMPRIME ORDINATEUR	PLACA ELABORADOR
F0520		SCHEDA ELABOR.AC920/11	ELECTRIC BOARD	COMPUTERKARTE	CIRCUIT IMPRIME ORDINATEUR	PLACA ELABORADOR
F0521		SCHEDA RELE'AC920/11 AC940/11	RELAY CARD	KARTE RELE'	CARTE RELAIS	TARJETA RELÉ
F0522		ETICHETTA SUP.POLIC.AC920-AC940/11	LABEL	AUFKLEBER	ETIQUETTE	ETIQUETA
F0523		CARTER TERM.AC920-940/11 3002	CASING	GEHÄUSE	CARTER	CÁRTER
F0524		POMPA A VUOTO 230/50 VE.145	VACUUM PUMP	VAKUUMPUMPE	POMPE A VIDE	BOMBA
F0525		PIATTO BILANCIA OLIO AC920-940	BALANCE PLATE	BALANCE PLATTE	PLAT D'ÉQUILIBRE	PLACA DEL BALANCE
F0526		CONNETTORE USB AC920/11-AC940/	CONNECTOR USB	ANSCHLUSS USB	CONNECTEUR USB	CONECTOR USB
Z_RICAMBI		* = RICAMBI CONSIGLIATI	* = RECOMMENDED SPARE PARTS	* = EMPFOHLENE E-TEILE	* = PIECES DE RECHANGE CONSEILLEES	* = REPUESTOS ACONSEJAIOS