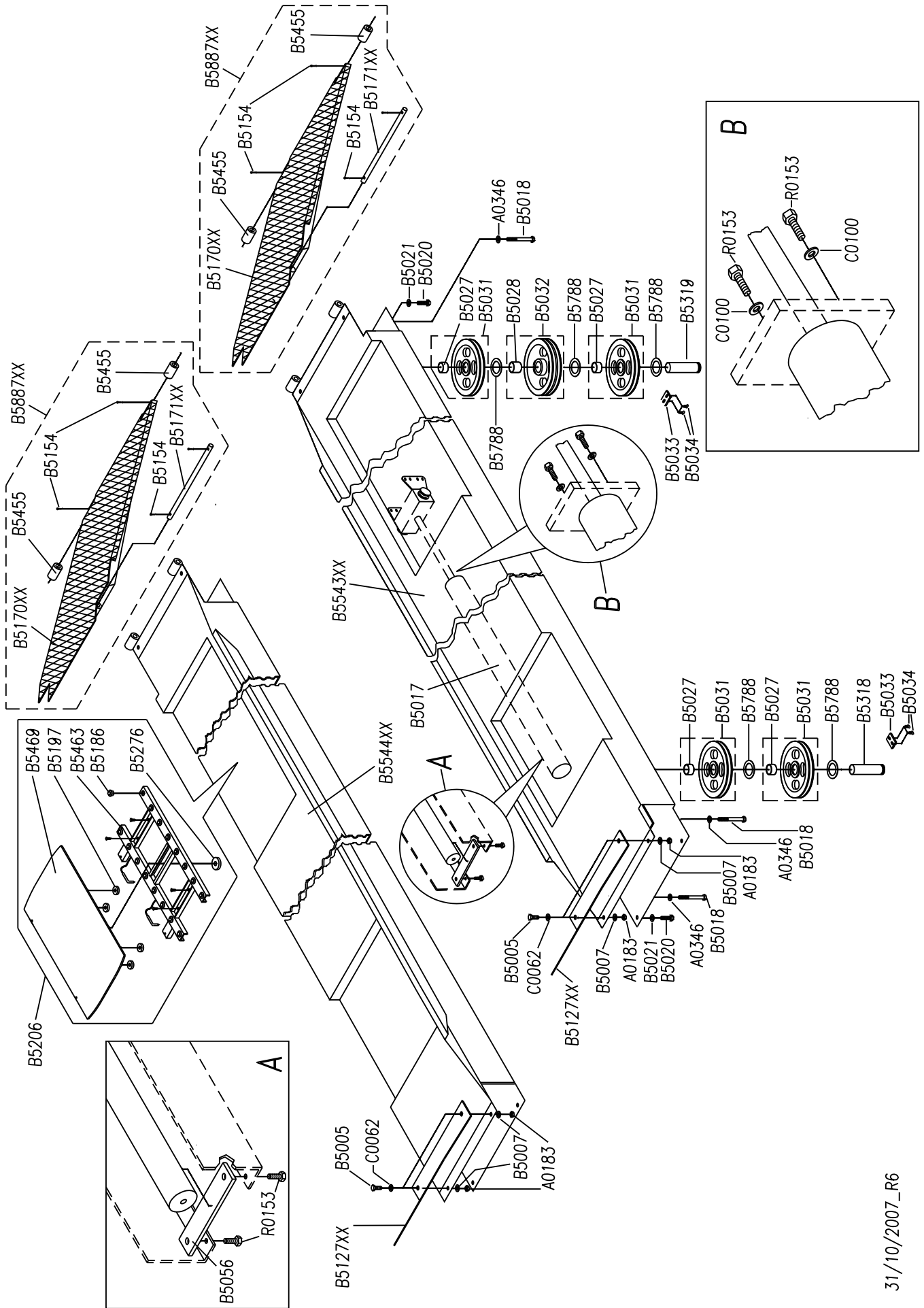
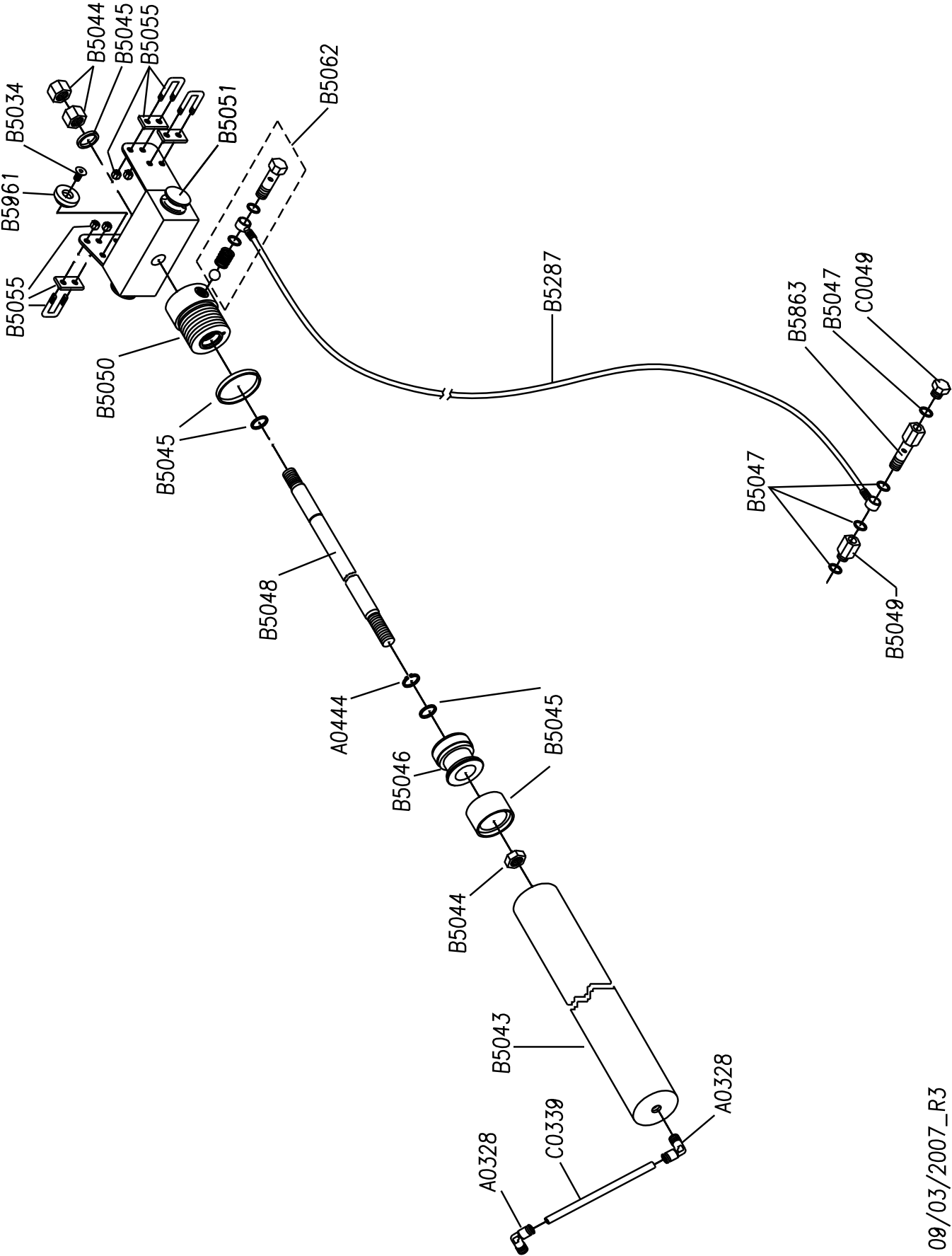
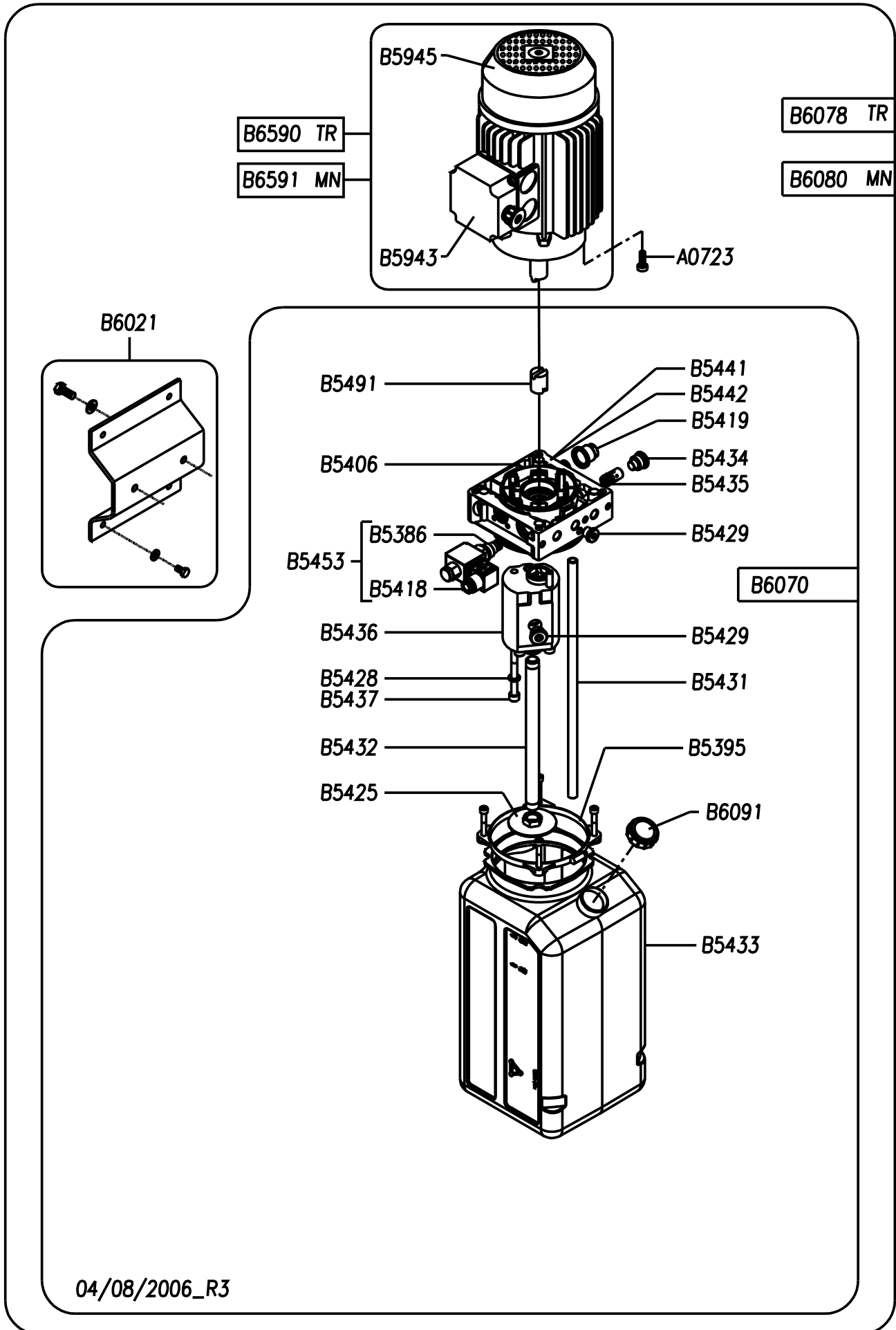
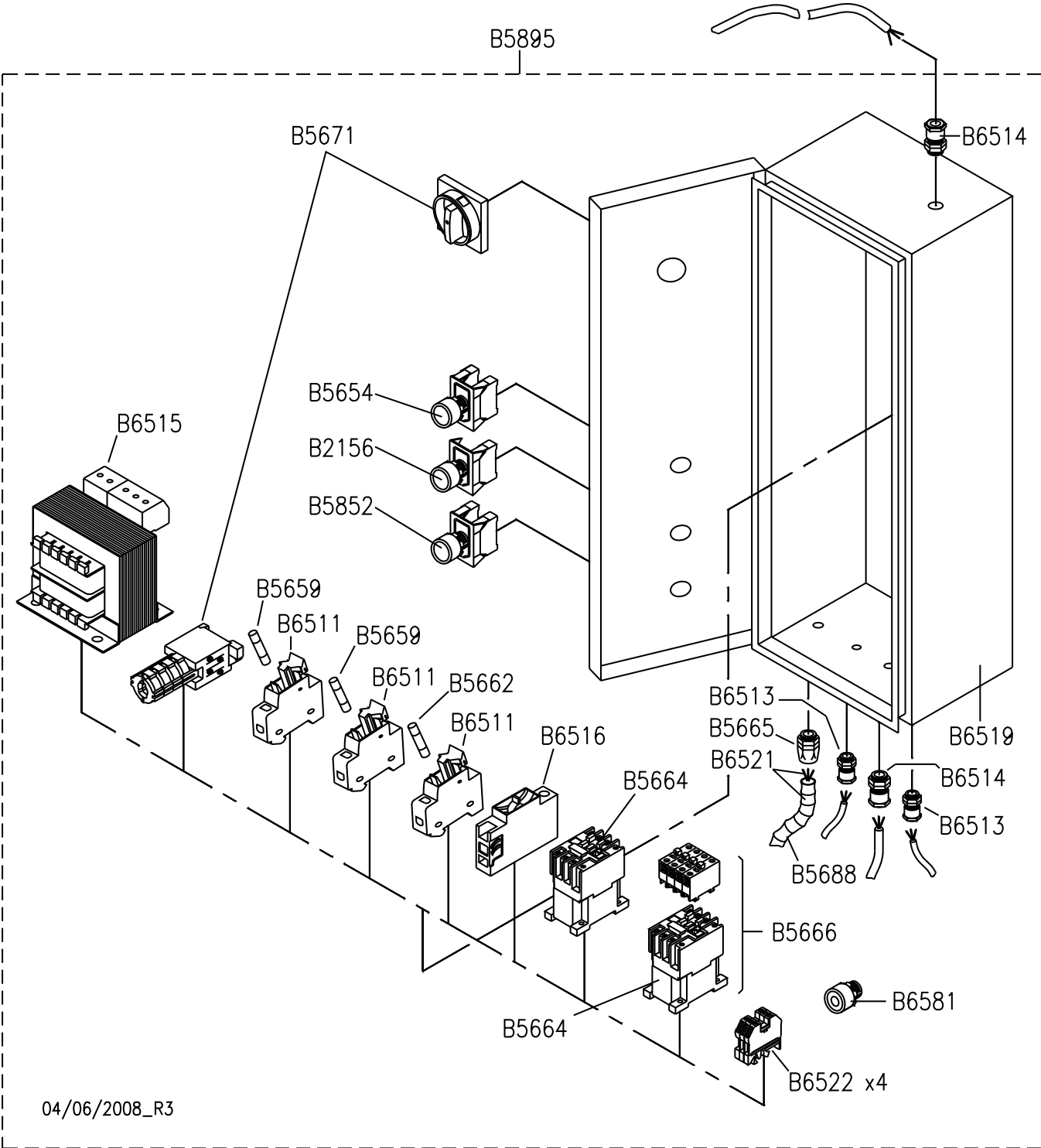


09/01/2007_R1









04/06/2008_R3

| Code | Cons. | Descrizione | Description |
|---------|-------|---|--|
| A0183 | | DADO M10 UNI 5588 | NUT M10 UNI 5588 |
| A0184 | | VITE TE M6X16 ZINCATA | SCREW TE M6X16 UNI 5739 |
| A0185 | | SEEGER E18 UNI 7435 | SNAP RING E18 UNI 7435 |
| A0328 | | RACCORDO "L" 1/4" M X TUBO Ø 8 | L-SHAPED COUPLING 1/4" M FOR PIPE Ø 8 |
| A0344 | | ANELLO ELASTICO INTERNO Ø35 | INSIDE SPRING RING Ø35 |
| A0346 | | RONDELLA P 12 X 24 UNI 6592 | WASHER 12 X 24 UNI 6592 |
| A0400 | | SEEGER E20 UNI 7435 | SNAP RING E20 UNI 7435 |
| A0444 | | SEEGER E25 UNI 7435 | SEEGER E25 UNI 7435 |
| A0723 | | VITE TCEI M8X20 UNI 5931 | SCREW TCEI M8X20 UNI 5931 |
| A0900 | | VITE TSPEI M6 X 18 UNI 5933 | COUNTERSUNK FLAT SOCKET SCREW M6 X 18 UNI 5933 |
| B0030 | | VITE TE 8X16 8.8 UNI 5739 | SCREW M8X16 8.8 |
| B2156 | * | PULSANTE GRIGIO + 2 ELEM. CONT. N.O. | GREY PUSH-BUTTON + 2 N.O. CONTACT |
| B2815 | * | FINECORSALIMIT TIPO PIZZATO FR654 | ASCENT LIMIT SWITCH TYPE PIZZATO FR654 |
| B2831 | | VITE TSCE 90° M6X14 UNI 5933 | SCREW TSCE M6X14 UNI 5933 |
| B2843 | * | FINECORSASICUREZZA TIPO PIZZATO FR1454 | SAFETY SWITCH TYPE PIZZATO FR1454 |
| B2846 | | PULEGGIA Ø50 X SENSORE FUNE | PULLEY Ø50 X CABLE SENSOR |
| B2884 | | MOTORE B14 MN 230V 50HZ 2,2KW | MOTOR B14 SINGLE PHASE 230V 50HZ 2,2KW |
| B5001XX | | COLONNA 1: COMANDO | POST 1: CONTROL |
| B5002XX | | COLONNA 2 - 4 | POST 2 - 4 |
| B5003XX | | COLONNA 3 | POST 3 |
| B5005 | | VITE TE M10X25 UNI 5739 | SCREW TE M10 X 25 UNI 5739 |
| B5006 | | CAPPELLO PLASTICA | PLASTIC COVER |
| B5007 | | RONDELLA P 10 X 30 UNI 6593 | WASHER 10 X 30 UNI 6593 |
| B5008 | | RONDELLA P 21X37X3 UNI 6592 | WASHER Ø21X37X3 UNI 6592 |
| B5009 | | DADO M. M20 UNI 5588 | NUT M20 UNI 5588 |
| B5011 | | VITE TCCE M5X35 UNI 5931 | SCREW M5X35 UNI 5931 |
| B5012 | | DADO CIECO M5 UNI 5721 | BLANK NUT M5 UNI 5721 |
| B5017 | | CILINDRO COMPLETO | COMPLETE CYLINDER |
| B5018 | | VITE TE M12 X 100 UNI 5737 | H.H. SCREW M12 X 100 UNI 5737 |
| B5019 | | PERNO AZIONAMENTO T.L.C. W435 | COMMAND SIDE CROSS PIN |
| B5020 | | VITE TE M12X25 UNI 5739 | SCREW TE M12X25 UNI 5739 |
| B5021 | | RONDELLA DE Ø12 DIN 6798 A | WASHER OD Ø12 DIN 6798 A |
| B5023 | | PERNO AZIONAMENTO T.L.O. W435 | OPPOSITE SIDE CROSS PIN |
| B5027 | * | BRONZINA Ø 40 X 44 X 20 MBI - CB85 - 4020 | BUSHING Ø 40 X 44 X 20 MBI - CB85 - 4020 |
| B5028 | * | BRONZINA Ø 40 X 44 X 30 MBI - CB85 - 4030 | BUSHING Ø 40 X 44 X 30 MBI - CB85 - 4030 |
| B5031 | * | PULEGGIA 1 GOLE Ø 230 X 25 | 1-RACE PULLEY Ø 230 X 25 |
| B5032 | * | PULEGGIA 2 GOLA Ø 230 X 31 | 2-RACE PULLEY Ø 230 X 31 |
| B5033 | | LAMA FERMAPERNO | PIN STOPPING PLATE |
| B5034 | | VITE TSPEI M8X12 UNI 5933 | SCREW TSPEI M8X12 UNI 5933 |
| B5035 | | TIRANTE MAGNETE 430 | MAGNET TIE ROD |
| B5037 | | SALVAPIEDE PEDANE 430 | PLATFORM CROSSPIECE 430 |
| B5041 | | TIRANTE PERNO AZIONAMENTO DX | RIGHT PIN BOLT |
| B5043 | | CILINDRO | CYLINDER |
| B5044 | | DADO M M22 X 1,5 UNI 5588 | NUT M22 X 1.5 UNI 5588 |
| B5045 | * | KIT GUARNIZIONI CILINDRO | CYLINDER GASKET KIT |
| B5046 | | STANTUFFO | PISTON |
| B5047 | | RONDELLA DI TENUTA CON GUARNIZIONE 1/4" | GASKET WITH 1/4" SEAL |
| B5048 | | STELO | ROD |
| B5049 | | PROLUNGA M-F 1/4" | SPACER |
| B5050 | | TESTATA | CYLINDER HEAD |

| | | | |
|---------|---|---|--|
| B5051 | | GIOGO | BEAM |
| B5053 | * | VITE FORATA 1/4 | SCREW 1/4 |
| B5055 | | MORSETTO | CLAMP |
| B5056 | | APPOGGIO CILINDRO | CYLINDER SUPPORT |
| B5057 | * | PULEGGIA 1 GOLA Ø230 X 40 + BRONZINA MBI C85-4040 | 1-RACE PULLEY Ø230 X 40 + BUSHING MBI C85-4040 |
| B5059 | * | DISTANZIALE Ø40 X 9 | SPACER Ø40 X 9 |
| B5060 | | DISTANZIALE Ø40 X 27 | SPACER Ø40 X 27 |
| B5061 | | AZIONATORE FINECORSA | LIMIT SWITCH ACTUATOR |
| B5062 | * | KIT VALVOLA BLOCCA CILINDRO | CYLINDER SAFETY VALVE ASSEMBLY |
| B5063 | | TIRANTE PERNO AZIONAMENTO SX | LEFT PIN BOLT |
| B5068 | | PERNO ANTISCARRUCOLAMENTO Ø16 X 101 | SAFETY PIN Ø16 X 101 |
| B5069 | | PERNO GUIDA ASTE DI SICUREZZA | SAFETY ROD PIN |
| B5070 | | PERNO Ø20 X 101 | PIN Ø20 X 101 |
| B5071 | | PERNO PULEGGIE TRAVERSE Ø40 X 104 | CROSSPIECE PULLEY PIN Ø40 X 104 |
| B5074 | | DADO M M5 UNI 5588 | NUT M5 UNI 5588 |
| B5075 | | PATTINO LATERALE Ø35X10 | SIDE SLIDING PAD Ø35X10 |
| B5076 | * | PATTINO POSTERIORE Ø35 X 17 | REAR SLIDING PAD Ø35 X 17 |
| B5080 | | TIRANTE TASTAFUNE | CABLE-FEELER TIE ROD |
| B5085 | | DADOBK BASSO M 6 6S. UNI 7474 | SELF-LOCKING NUT M6 |
| B5087 | | MOLLA INFERIORE RICHIAMO MARTELLETTI | WEDGE RETURN BOTTOM SPRING |
| B5088 | | DADO BLOK M8 UNI 7474 | NUT M8 UNI 7474 |
| B5089XX | | TRAVERSA LATO COMANDO 430BL | L.C. CROSSBEAM |
| B5098XX | | TRAVERSA LATO OPERATIVO 430BL | L.O. CROSSBEAM |
| B5108 | | MORSETTO PER CAVO Ø2,5 MM. | CABLE CLAMP Ø2.5 MM |
| B5113 | | MORSETTIERA MAMMUTH 4 POLI T.L.C. | CONTROL SIDE CROSSPIECE 4-POLE TERMINAL BOARD |
| B5116 | | TIRANTE PIEGATO | BENT TIE ROD |
| B5120 | | SCATOLA DI DERIVAZIONE | CONNECTOR BLOCK |
| B5122 | | MORSETTIERA MAMMUTH 2 POLI T.L.C. | CONTROL SIDE CROSSPIECE 2-POLE TERMINAL BOARD |
| B5124 | | MARTELLETTO DI SERVIZIO DX | RIGHT AUXILIARY WEDGE |
| B5125 | | MARTELLETTO DI SERVIZIO SX | LEFT AUXILIARY WEDGE |
| B5127XX | | FERMARUOTE | WHEEL STOP |
| B5128 | | ASTA DI SICUREZZA (SGANCIO ELETTRICO) | SAFETY ROD (ELECTRICAL UNLOCKING) |
| B5154 | | COPIGLIA 3X40 UNI 1336 | ZINC-PLATED COTTER PIN Ø3X40 |
| B5170XX | | RAMPA DI SALITA | LIFT RAMP |
| B5171 | | ASTA PER RAMPA DI SALITA | DRIVE ON RAMP PIN |
| B5180 | * | FINECORSA DI DISCESA PIZZATO FR 754 | DESCENT LIMIT SWITCH PIZZATO FR 754 |
| B5186 | | SFERA PIASTRE OSCILLANTI | BALL FOR OSCILLATING PLATES |
| B5191 | * | BRONZINA Ø 40 X 44 X 40 MBI - CB85 - 4020 | BUSHING Ø 40 X 44 X40 MBI - CB85 - 4020 |
| B5197 | | RULLO LATERALE | SIDE ROLL |
| B5206 | | PIASTRA OSCILLANTE COMPLETA | COMPLETE OSCILLATING PLATE |
| B5266 | | AZIONATORE FINECORSA | LIMIT SWITCH ACTUATOR |
| B5276 | | RULLO CENTRALE | CENTRAL ROLL |
| B5287 | * | TUBO FLESSIBILE MANDATA OLIO | OIL DELIVERY HOSE |
| B5300 | | VITE TCTC 3,9X19 UNI 69543 | SCREW 3,9x19 |
| B5318 | | PERNO L=92 | PIN L=92 |
| B5319 | | PERNO L=121 | PIN L=121 |
| B5386 | | VALVOLA CE1-NC-EM | VALVE |
| B5391 | | PATTINO LATERALE Ø35X7 | SIDE SLIDING PAD Ø35X7 |

| | | | |
|---------|---|--|---|
| B5395 | | KIT FISSAGGIO SERBATOI IN PVC | TANK FASTENING KIT |
| B5406 | | COLLETTORE KE2000 80-250BAR | MANIFOLD |
| B5414 | | MOLLA SUPERIORE RICHIAMO MARTELLETTI | WEDGE RETURN TOP SPRING |
| B5418 | | BOBINA 24V 50/60HZ+CONNETTORE | COIL |
| B5419 | | TAPPO X PIOMBATURA VM15 | PLUG |
| B5425 | | FILTRO ASPIRAZIONE 3/8" | AIR FILTER |
| B5428 | | RONDELLA GROWER 8,4 UNI1751 ZB | WASHER |
| B5429 | | TAPPO DIN 908 1/4+RONDELL.RAME | PLUG |
| B5431 | | TUBO DI SCARICO M12X1 L=300 | DRAIN PIPE |
| B5432 | | TUBO ASPIRAZ.VERTICAL.L=240 | SUCTION PIPE |
| B5433 | | SERBAT.L9 PVC NERO CENTR.K3 | TANK |
| B5434 | | TAPPO TC4 X VALV.3/4"-16UNF | PLUG |
| B5435 | | VALVOLA STF14P 9L/MIN | VALVE |
| B5436 | | POMPA 18 10A5X348N 5CC/REV | PUMP |
| B5437 | | VITE TCCE M8X100 UNI 5931 ZB | SCREW |
| B5441 | | VALVOLA DI RITEGNO 3/8" KE | CHECK VALVE |
| B5442 | | VALVOLA DI MASSIMA15 80-250BAR | MAX. PRESSURE VALVE15 80-250BAR |
| B5453 | | ELETTOVALVOLA COMPLETA CENTRALINA K3 | COMPLETE ELECTRO-VALVE HYDRAULIC POWER K3 |
| B5455 | | RULLO RAMPA | RAMP ROLLER |
| B5459 | | SENSORE TASTA FUNE DX | RIGHT CABLE-FEELER SENSOR |
| B5460 | | SENSORE TASTA FUNE SX | LEFT CABLE-FEELER SENSOR |
| B5463 | | TELAIO INFERIORE PIASTRA OSCILLANTE | LOWER FRAME |
| B5466 | * | FUNE | ROPE |
| B5469 | | PIASTRA OSCILLANTE SUPERIORE | UPPER PLATE |
| B5484 | | CARTER DX | CARTER DX |
| B5485 | | CARTER TRAVERSE | CROSSPIECE CRANKCASE |
| B5491 | | GIUNTO POMPA K3 | CONNECTING PUMP K3 |
| B5543XX | | PEDANA LATO COMANDO 430BL | PLATFORM L.C. |
| B5544XX | | PEDANA LATO OPERATIVO 430BL | PLATFORM L.O. |
| B5654 | * | PULSANTE NERO + 1 ELEM. CONT. N.O. | BLACK PUSH-BUTTON + 1 N.O. CONTACT |
| B5659 | * | FUSIBILE RITARDATO 10X38 2A aM | FUSE 10X38 2A aM |
| B5662 | * | FUSIBILE RAPIDO 10X38 4A gG | FUSE 10X38 4A gG |
| B5664 | | TELERUTTORE TELEMECANIQUE LC1D12 | CONTACTOR TELEMECANIQUE LC1D12 |
| B5666 | * | TELERUTTORE TELEMECANIQUE LC1D12+LA1DN11 | CONTACTOR TELEMECANIQUE LC1D12+LA1DN11 |
| B5671 | | INTERRUTTORE GENERALE | MAIN SWITCH |
| B5688 | | GUAINA Ø20MM DIFLEX | SHEATH Ø20MM DIFLEX |
| B5788 | * | RONDELLA IN NYLON | NYLON WASHER |
| B5852 | * | PULSANTE NERO+1CONT. NO+ 1 NC | PUSH BUTTON |
| B5887XX | | KIT RAMPA DI SALITA | LIFT RAMP KIT |
| B5895 | | QUADRO ELETTRICO COMPLETO TRIFASE 400V | THREE-PHASE COMPLETE CONTROL PANEL 400V |
| B5943 | | COPRIMORSETTIERA MOTORE | MOTOR TERMINAL BOARD COVER |
| B5945 | | COPRIVENTOLA MOTORE | MOTOR AIR-CONVEYOR |
| B5961 | | PATTINO GIOGO | BEAM SLIDING PAD |
| B5983 | * | ELETTROMAGNETE E0425 24V CC 50Hz | MAGNET E0425 24V CC 50Hz |
| B6021 | | KIT STAFFA SUPPORTO | SUPPORT BRACKER KIT |
| B6070 | | CENTRALINA K3 4 COLON. | GEARCASE |
| B6078 | | CENTRAL.K3/T COMPL.2,2KW 4COLON. | GEARCASE |
| B6080 | | CENTRAL.K3/M COMPL.2,2KW 4COL | GEARCASE |
| B6091 | | TAPPO SERBATOIO | TANK PLUG |
| B6136XX | | CARTER PROTEZIONE MAGNETI | MAGNET PROTECTION CRANKCASE |

| | | | |
|---------|---|--|---|
| B6511 | | PORTAFUSIBILE 10X38 WIMEX PCH1 | FUSE CARRIER 10X38 WIMEX PCH10X38 |
| B6513 | | PASSACAVO GEWISS PG 9 | CABLE CLAMP GEWISS PG9 |
| B6514 | | PASSACAVO GEWISS PG11 | CABLE CLAMP GEWISS PG11 |
| B6515 | * | TRASFORMATORE 230-400/24V 300VA 50/60Hz | TRANSFORMER 230-400/24V 300VA 50/60Hz |
| B6516 | * | INTERRUTTORE MAGNETICO 20A TYPE C | MAGNET SWITCH 20A TYPE C |
| B6518 | | CONTATTO AUSILIARIO SPRECHER CA3P01 | AUXILIARY CONTACT SPRECHER CA3P01 |
| B6519 | | CASSETTA | BOX |
| B6520 | | PASSAGUAINA GEWISS Ø20MM | SHEATH HOLDER GEWISS Ø20MM |
| B6521 | | GUAINA Ø20MM DIFLEX CON CAVI | SHEATH Ø20MM DIFLEX WITH CABLES |
| B6522 | | MORSETTO | TERMINAL |
| B6581 | * | SIRENA AVVERT. 4 COLONNE | SIREN |
| B6590 | | MOTORE TRIFASE 230/400V 50HZ 2,2KW-K3 | MOTOR 3PHASE 230/400V 50HZ 2,2KW-K3 |
| B6591 | | MOTORE MONOFASE 230V 50HZ 2,2KW-K3 | MOTOR B14 SINGLE PHASE 230V 50HZ 2,2KW-K3 |
| C0043 | | VITE TE M6X10 ZINCATA | GALVANIZED HEX. HEAD SCREW M6X10 UNI 5739 |
| C0061 | | VITE TE M8X10 UNI 5739 | SCREW TE M8X10 UNI 5739 |
| C0062 | | RONDELLA Ø10 UNI 6592 | WASHER Ø10 |
| C0099 | | VITE TE 6X20 8.8 UNI 5739 | SCREW M6X20 - 8.8 |
| C0100 | | RONDELLA P 8,4X17X1,5 UNI 6592 ZB | WASHER 8,4X17X1,5 |
| C0339 | | TUBO RILSAN 8X6 NERO | RILSAN HOSE D8X6 |
| C0617 | | RONDELLA P 6 (6,4X12X1,6) UNI 6592 ZB | WASHER 6 (6,4X12X1,6) |
| R0153 | | VITE TE M8X25 UNI 5739 | HH SCREW M8X25 UNI 5739 |
| R2497 | | ANELLO SEEGER E16 UNI 7435 | RETAINING RING E16 UNI 7435 |
| Z_ZCONS | | * = RICAMBI CONSIGLIATI | * = RECOMMENDED SPARE PARTS |