

TRAVERSA IDRAULICA

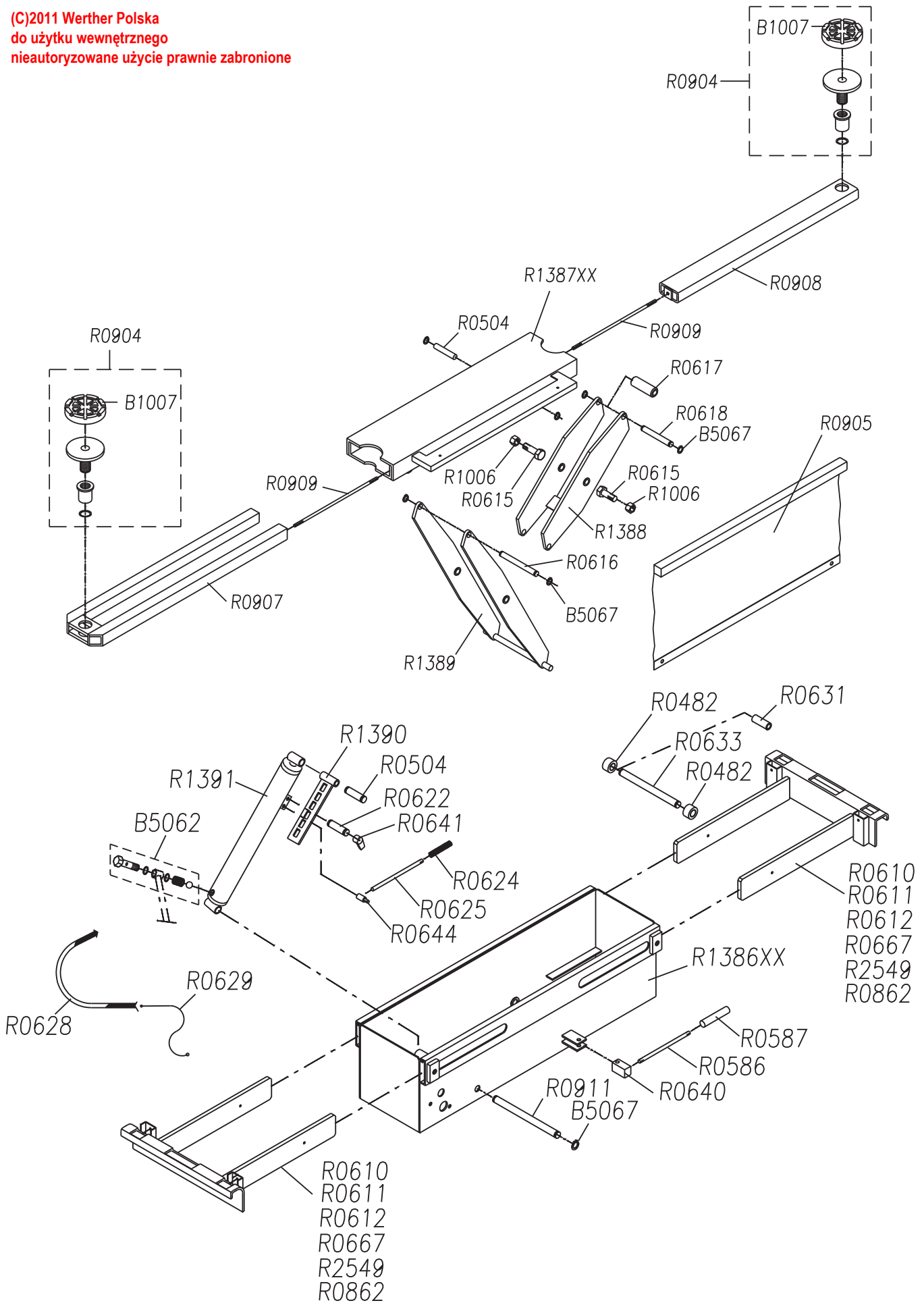
HIDRAULIC JACKING BEAM

HYDRAULIKHEBER

TRAVERSE HYDRAULIQUE

VIGA HIDRÁULICA

(C)2011 Werther Polska
do użytku wewnętrznego
nieautoryzowane użycie prawnie zabronione



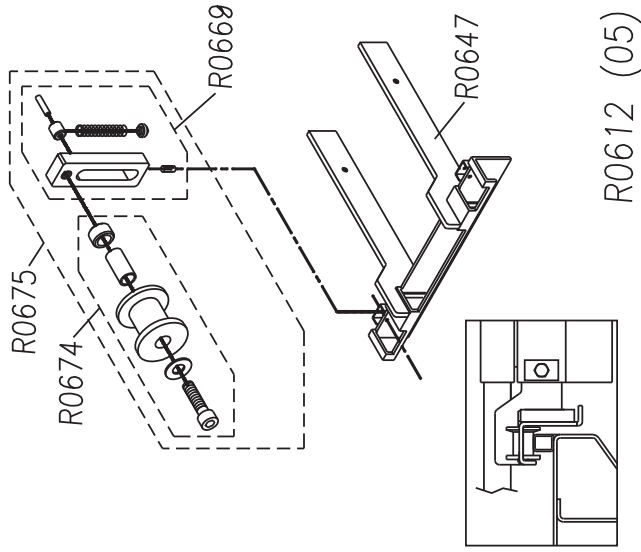
KIT ATTACCO STRUTTURA

KIT CONNECTING STRUCTURE

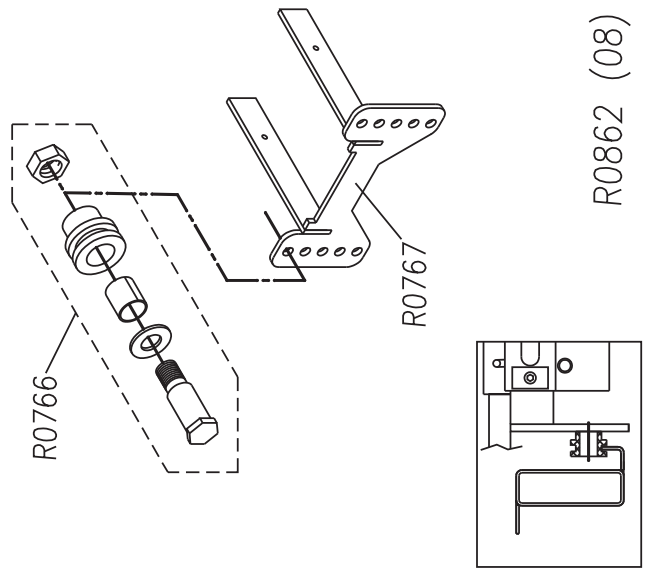
STRUKTURANSCHLUSSSATZ

KIT FIXATION STRUCTURE

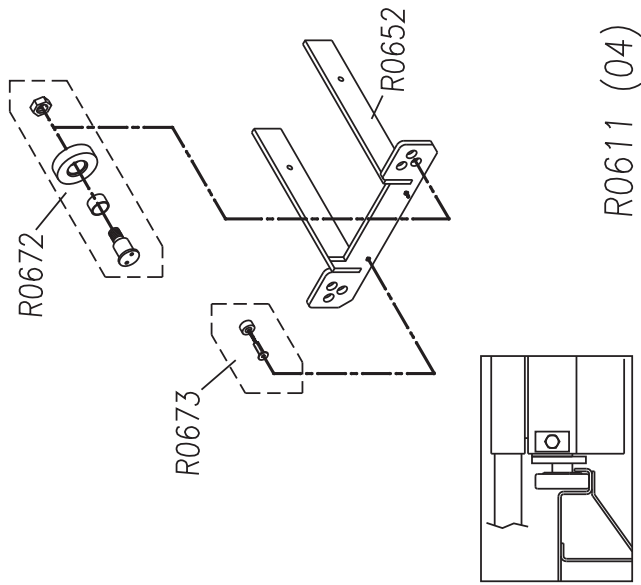
KIT CONEXIÓN ESTRUCTURA



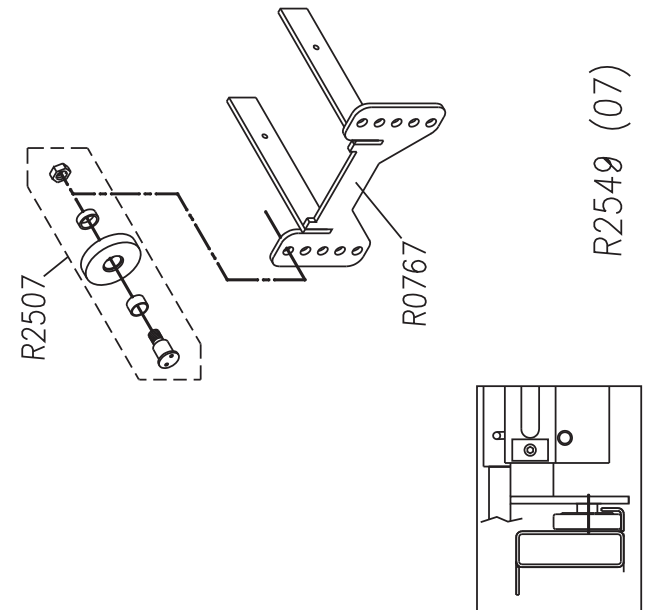
R0612 (05)



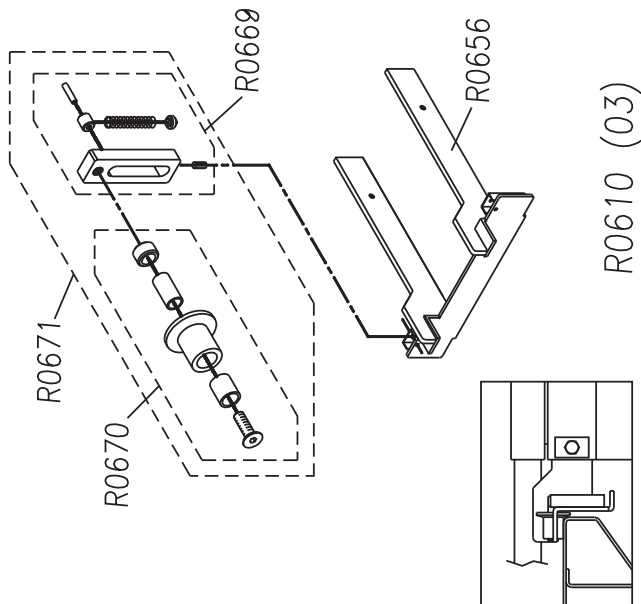
R0862 (08)



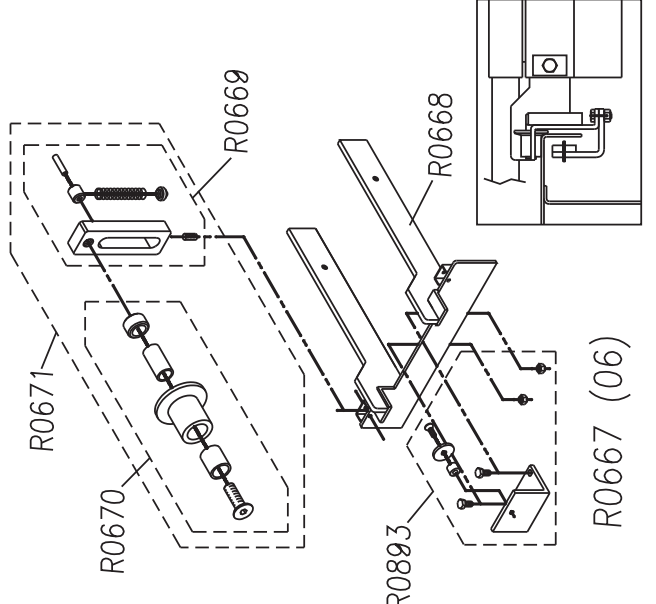
R0611 (04)



R2549 (07)

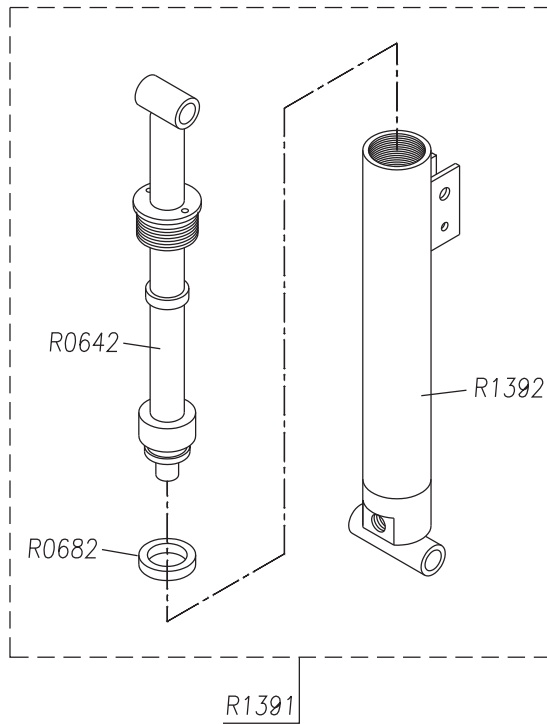


R0610 (03)

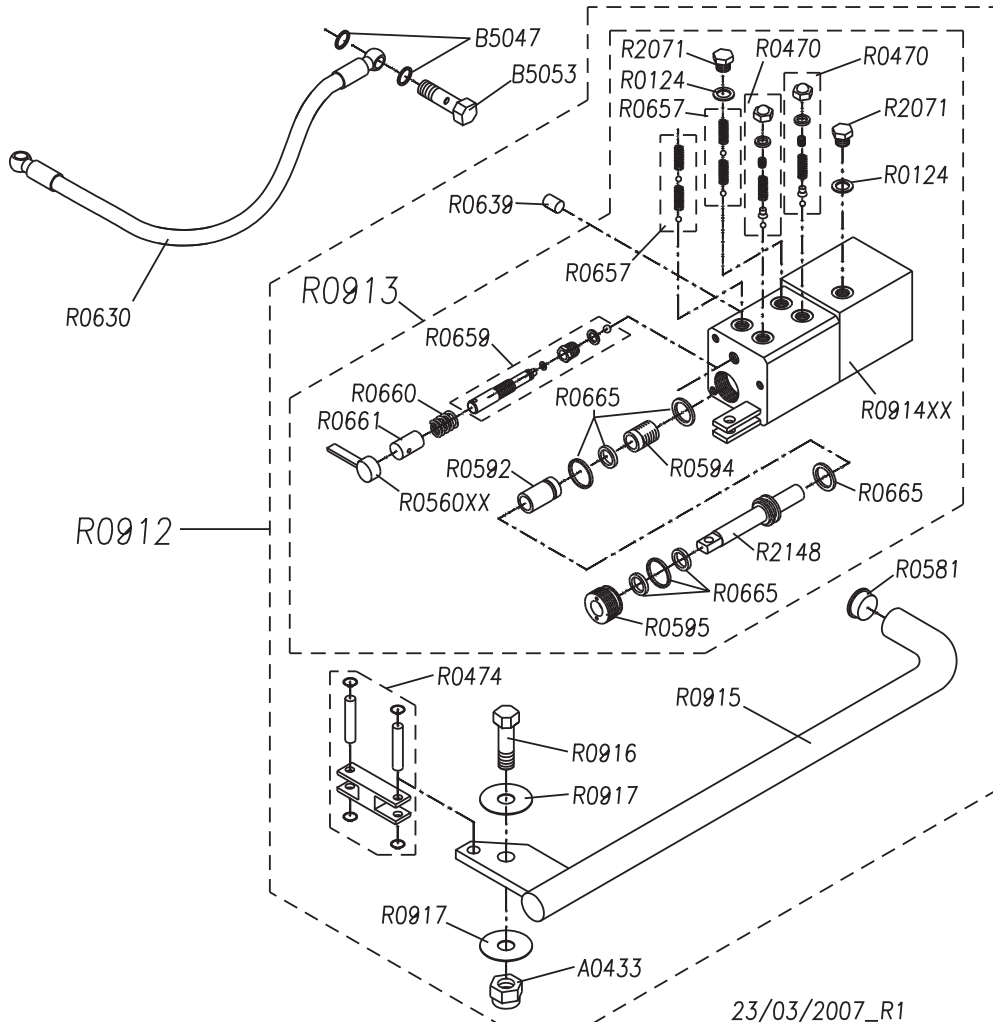


R0667 (06)

CILINDRO	
Pneumatic pump	ZYLINDER
CYLINDRE	CILINDRO



Pompa manuale	
Manual pump	PUMPE
POMPE	BOMBA



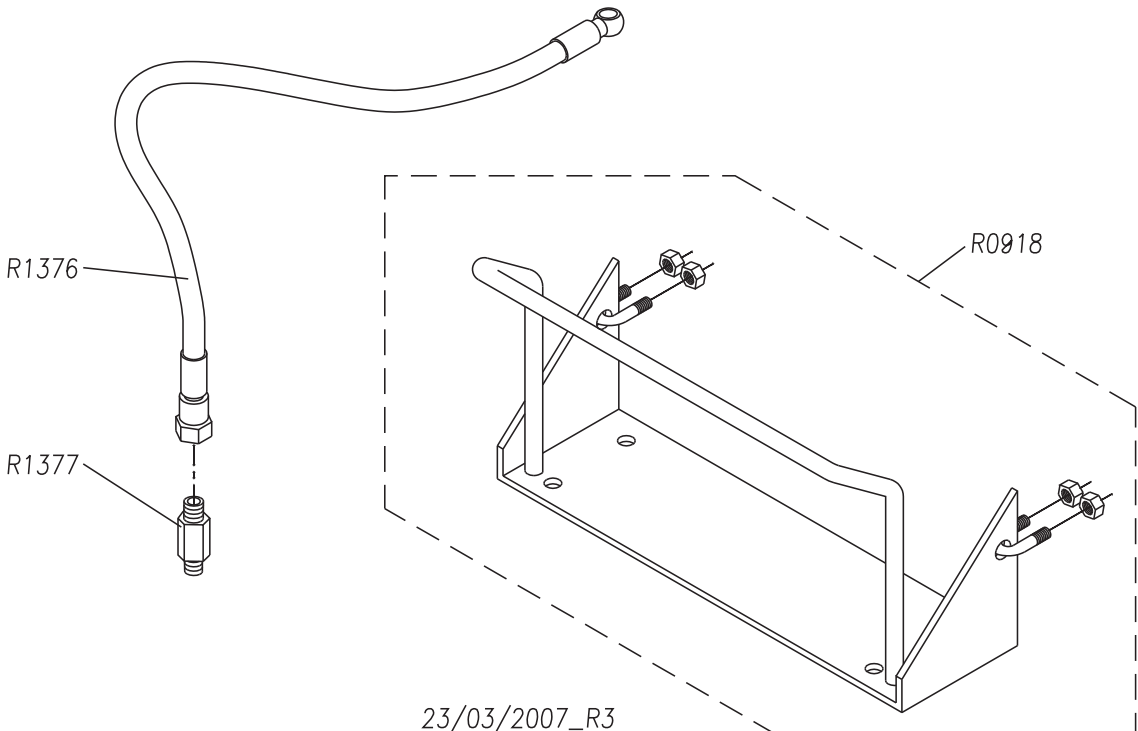
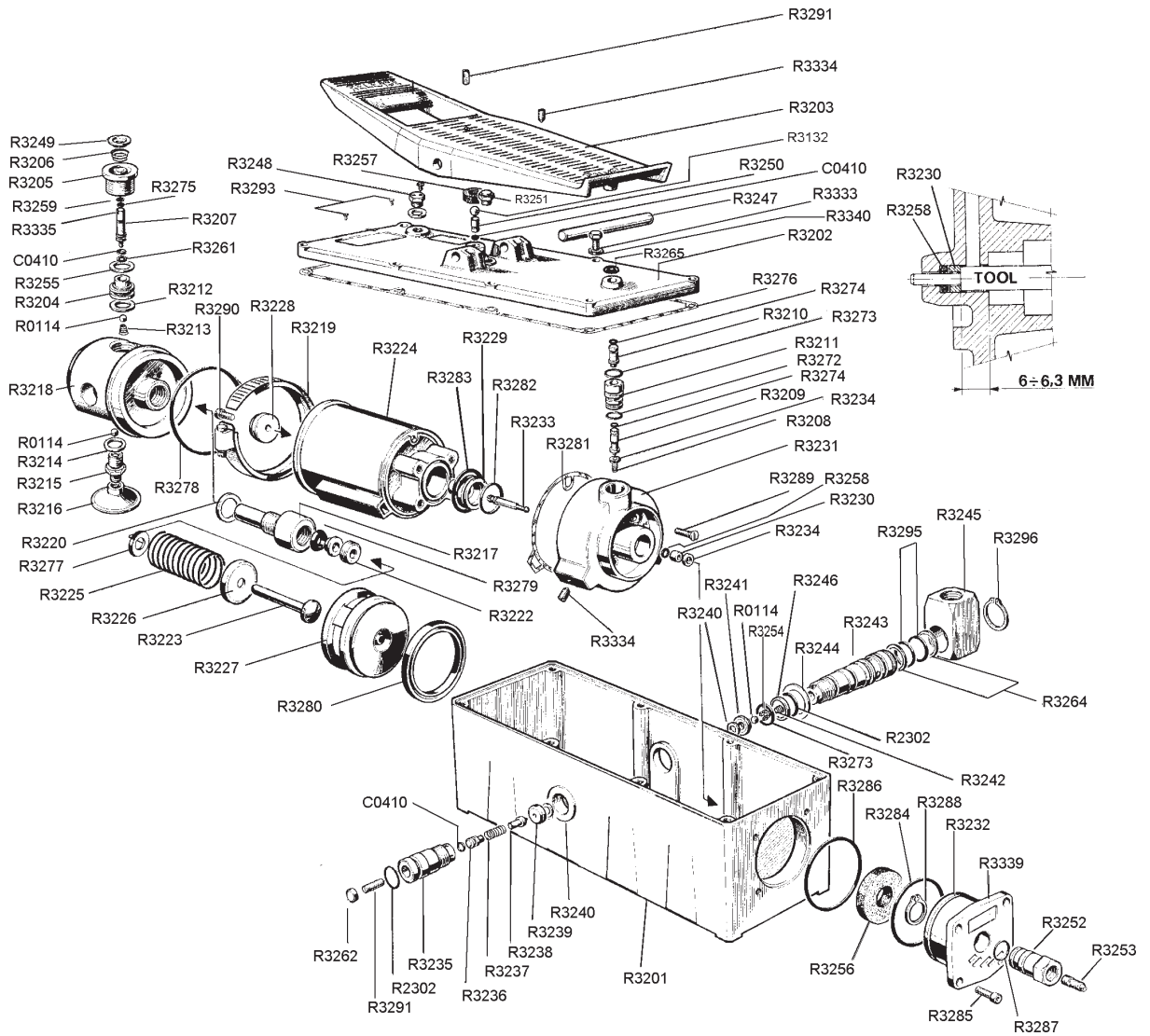
POMPA PNEUMATICA

PNEUMATIC PUMP

PUMPE

POMPE

BOMBA



Part Code	Sugg	Descrizione	Description	Beschreibung	Description	Denominacion
A0433		DADO AUTOBLOCCANTE M12 ZINCATO	SELF-LOCKING NUT M12	SELBSTSPERRENDEMUTTER M12	ECROU FREIN M12	TUERCA AUTOBLOQUEADORA M12 ZINCADA
B1007	*	DISCO GOMMA	RUBBER PAD	PLATTE	PLATEAU	DISCO
B5047	*	RONDELLA DI TENUTA CON GUARNIZIONE 1/4"	GASKET WITH 1/4" SEAL	DICHTUNGSUNTERLEGSCHIEBE MIT DICHTUMG 1/4"	RONDELLE D'ÉTANCHÉITÉ 1/4"	ARANDELA DE CIERRE CON GUARNICIÓN 1/4"
B5053	*	VITE FORATA 1/4	SCREW 1/4	SCHRAUBE 1/4"	BOUCHON RENIFLARD 1/4"	TORNILLO CON ORIFICIO 1/4"
B5062	*	KIT VALVOLA BLOCCA CILINDRO	CYLINDER SAFETY VALVE ASSEMBLY	ZYLINDERSPERRVENTIL	ENSEMBLE CLAPET PARACHUTE	KIT VÁLVULA DE BLOQUEO
B5067		SEEGER E20X2 UNI 7436	RETAINING RING E20X2 UNI 7436	SEEGER-RING E20X2 UNI 7436	BAGUES E20X2 UNI 7436	SEEGER E20X2 UNI 7436
C0410		O'RING 2018	O'RING 2018	O-RING 2018	JOINT TORIQUE 2018	ARANDELA 2018
R0114		SFERA 1/4"	SPHERE 1/4"	KUGEL 1/4"	SPHERE 1/4"	LLAVE 1/4"
R0124		RONDELLA RAME D 14X20X1,5	COPPER WASHER D 14X20X1,5	KUPFER-UNTERLEGSCHIEBE D 14X20X1,5	RONDELLE CUIVRE 14X20X1,5	ARANDELA
R0470		KIT VALVOLA DI MASSIMA POMPA	SAFETY VALVE KIT	SET UEBERDRUCKVENTIL	ENSEMBLE VALVE DE SURPRESSION	KIT VÁLVULA DE MÁXIMA
R0474		KIT BIELLA POMPA+FLANGIA	FLANGE + CONNECTING MOD KIT	SET FLANSCH	ENSEMBLE FLASQUE	KIT BIELLA BOMBA
R0482		RULLO INF.542 30X20X23,5 ZG	LOWER ROLL 30X20X23,5	UNTERE HUBROLLE 30X20X23,5	ROUE INFERIEUR 30X20X23,5	RODILLO INFERIOR 30X20X23,5
R0504		PERNO SUP. SNODO CILINDRO	UPPER CYLINDER JOINT PIN	OBERER ZYLINDER-LAGERBOLZEN	AXE SUP. ARTICULATION VERIN	PERNO
R0560		MANIGLIA SPILLO	PIN HANDLE	HANDGRIFF	POIGNEE DESCENTE	ASA
R0581		TAPPO LEVA	LEVER PLUG	STÖPSEL	BOUCHON	TAMPÓN
R0586		PERNO X MANICO 496	HANDLE PIN	STIFT	AXE	PERNO
R0587		MANOPOLA MM70 TP FIL M10 496	KNOB MM70 TP FIL M10	DREHKNOPF	POIGNÉE	REDONDA
R0592		CILINDRO POMPANTE	CYLINDER PUMPING ELEMENT	ZYLINDER	VÉRIN	CILINDRO
R0594		GHIERA POSTERIORE POMPANTE	RING NUT HEAD PUMPING ELEMENT	NUTMUTTE	BAGUE	VIROLA
R0595		GHIERA ANTERIORE POMPANTE	RING NUT FRONT PUMPING ELEMENT	NUTMUTTE	BAGUE	VIROLA
R0610		KIT ATTACCO STRUT.COMPL. .03	KIT CONNECTING STRUCTURE .03	STRUKTURANSCHLUSSBLECH SET .03	KIT FIXATION STRUCTURE .03	BASTIDOR DE ENGANCHE .03
R0611		KIT ATTACCO STRUT.COMPL. .04	KIT CONNECTING STRUCTURE .04	STRUKTURANSCHLUSSBLECH SET .04	KIT FIXATION STRUCTURE .04	BASTIDOR DE ENGANCHE .04
R0612		KIT ATTACCO STRUT.COMPL. .05	KIT CONNECTING STRUCTURE .05	STRUKTURANSCHLUSSBLECH SET .05	KIT FIXATION STRUCTURE .05	BASTIDOR DE ENGANCHE .05
R0615		PERNO UNIONE LEVE ZG	LEVERS UNION PIN	STIFT	AXE	PERNO
R0616		PERNO LEVA BUSS.TRAV.D.20X168	PIN LEVER BUSH CROSSBEAM	STIFT	AXE	PERNO
R0617		DISTANZ.LEVE SUP.	SPACER LEVERS UPPER CROSSBEAM	DISTANZSTÜCK	ENTRETOISE	DISTANCIADOR
R0618		PERNO SUP.TRAV.D.20X132	UPPER PIN CROSSBEAM	STIFT	AXE	PERNO
R0622		PERNO ZEPPA D.20X77	PIN WEDGE D.20X77	STIFT	AXE	PERNO
R0624		MOLLA TASTA FUNE	SQUASHED ROPE SPRING	FEDER	MANCHON	MUELLA
R0625		PERNO GUIDA MOLLA ZEPPA	SPRING WEDGE PIN	STIFT	AXE	PERNO
R0628		GUAINA L=850 CAVO 1,5	SHEAT L=850 CABLE 1,5	ÜBERZUG	GAINÉ	MANGUERA

R0629		TIRANTE CON CAVO D1,5 L=1000	ROD+CABLE D1,5 L=1000	STANGE	TIRANT	TIRANTE
R0630		TUBO FLESS.	FLEX HOSE	WASSERSCHLAUCH	FLEXIBLE HAUTE	TUBO
R0631		DISTANZ.LEVE INF.L=124	SPACER LOWER LEVER L=124	DISTANZSTÜCK	ENTRETOISE	DISTANCIADOR
R0633		PERNO INF.RULLI D.20X202	LOWER PIN FOR ROLL D.20X202	STIFT	AXE	PERNO
R0639		DISTANZ.PULEGGIA D.50	SPACER PULLEY D.50	DISTANZSTÜCK	ENTRETOISE	DISTANCIADOR
R0640		LEVA APERTURA ZEPPA	LEVER OPENING WEDGE	HEBEL	LEVIER	PALANCA
R0641		ZEPPA DI SICUREZZA	SECURITY WEDGE	SICHERHEITSKEIL	SECURITÉ	CUÑA DE SEGURIDADE
R0642		PISTONE IDR.	HYDRAULIC PISTON	KOLBEN	PISTON	PISTÓN
R0644		PERNO CERN.ASTA X MOLLA ZEPPA	PIN FOR SPRING WEDGE	BEFESTIGUNGSBOLZEN	TIGE CHARNIERES	PASADOR BISAGRA
R0647		APPOGGIO SCORREVOLE .05	SLIDING SUPPORT	VERSCHIEBBARE HALTERUNG	APPUI COULISSANT	APOYO DESLIZABLE
R0652		APPOGGIO SCORREVOLE .04	SLIDING SUPPORT	VERSCHIEBBARE HALTERUNG	APPUI COULISSANT	APOYO DESLIZABLE
R0656		APPOGGIO SCORREVOLE .03	SLIDING SUPPORT	VERSCHIEBBARE HALTERUNG	APPUI COULISSANT	APOYO DESLIZABLE
R0657		VALVOLA ASPIR.COMPRESSI.	SUCTION VALVE	VENTIL	SOUPAPE	VÁLVULA
R0659		VALVOLA SCAR.	DISCHARGE VALVE	VENTIL	SOUPAPE	VALVULA
R0660		MOLLA RICHIAMO VALV.SCAR.	RETURN SPRING FOR VALVE	FEDER	RESSORT	MUELLE RETORNO
R0661		BUSSOLA COPRIM.VALV.SCAR.	BUSH SPRING VALVE	SCHRAUBE	BAGUE	CASQUILLO
R0665	*	KIT GUARNIZIONI POMPA MANUALE	GASKETS KIT FOR MANUAL PUMP	DICHTUNGSSATZ	JEU DE JOINTS	JUEGO DE JUNTAS
R0667		KIT ATTACCO STRUT.COMPL. .06	KIT CONNECTING STRUCTURE .06	STRUKTURANSCHLUSSBLECH SET .06	KIT FIXATION STRUCTURE .06	BASTIDOR DE ENGANCHE .06
R0668		APPOGGIO SCORREVOLE .06	SLIDING SUPPORT	VERSCHIEBBARE HALTERUNG	APPUI COULISSANT	APOYO DESLIZABLE
R0669		KIT PIATTO SCORRIM. .03 - .05 - .06	GUIDING PAD ASSY	GLEITPLATTENSATZ 401.3.5.6	KIT PLAQUE COULISSEMENT 401.3.5.6	KIT PLANO DESLIZAMIENTO 496.6
R0670		KIT RULLO .3 - .6	WHEEL KIT .03 - .06	KIT FESTES .6	KIT ROUE .6	KIT RODILLO 401.3.6
R0671		KIT RULLO+SUPPORTO .03 - .06	ROLLER+SUPPORT ASSY	SATZ ROLLE + HALTERUNG 401.3.6	KIT ROUE + SUPPORT 401.3.6	KIT RODILLO + SOPORTE 401.3.6
R0672		KIT RULLO .04	WHEEL KIT .04	KIT FESTES .4	KIT ROUE .4	KIT RODILLO 401.4
R0673		KIT PATTINO LATERALE .4	LATERALL PAD ASSY	SATZ SEITLICHER GLEITSCHUH 401.4	KIT PATIN LATERAL 401.4	KIT PATÍN LATERAL 401.4
R0674		KIT RULLO .05	WHEEL KIT .05	KIT FESTES .5	KIT ROUE .5	KIT RODILLO 401.5
R0675		KIT RULLO+SUPPORTO .05	ROLLER+SUPPORT ASSY	SATZ ROLLE + HALTERUNG 401.5	KIT ROUE + SUPPORT 401.5	KIT RODILLO + SOPORTE 401.5
R0682	*	GUARNIZIONE RSE 50 35	GASKET RSE 50 35	DICHTUNG O'RING RSE 50 35	ANNEAU DE ÉTANCHÉITE RSE 50 35	ARO DE SELLADO RSE 50 35
R0766		KIT RULLO .08	WHEEL KIT .08	KIT FESTES .8	KIT ROUE .8	KIT RODILLO .8
R0767		APPOGGIO SCORREVOLE .07-.08	SLIDING SUPPORT	VERSCHIEBBARE HALTERUNG	APPUI COULISSANT	APOYO DESLIZABLE
R0862		KIT ATTACCO STRUT.COMPL. .08	KIT CONNECTING STRUCTURE .08	STRUKTURANSCHLUSSBLECH SET 08	KIT FIXATION STRUCTURE .08	KIT BASTIDOR DE ENGANCHE .08
R0893		KIT PATTINO LATERALE .06	LATERALL PAD ASSY	KIT SEITLICHER GLEITSCHUH .06	KIT PATIN LATÉRAL .06	KIT PATÍN LATERAL .06
R0904		KIT PIATTELLO REGISTRABILE	KIT PAD	AUFNAHMETELLER	KIT PLATEAU	KIT PLATILLO
R0905		TENDINE PROTEZIONE	PROTECTION	SCHUTZ	PROTECTION	PROTECCIÓN
R0907		PROLUNGA LATERALE	EXTENSION LEVER	HEBEL,AUSSEN ZECHTS	BRAS EXTERIEUR DROIT	DISTANCIADOR
R0908		PROLUNGA CENTRALE	CENTRAL EXTENSION	HEBEL,AUSSEN HNKS	BRAS EXTERIEUR GAUCHE	DISTANCIADOR
R0909		TIRANTE	ROD	STANGE	TIRANT	TIRANTE

R0911		PERNO CILINDRO TELAIO D.20X229	CYLINDER FRAME PIN	STIFT	AXE	PERNO
R0912		KIT POMPA MANUALE CON LEVA	KIT MANUAL PUMP WITH LEVER	PUMPE MIT DREHKNOFF	KIT POMPE MANUELLE AVEC LEVIER	KIT BOMBA MANUAL
R0913		KIT POMPA MANUALE 496/3	KIT MANUAL PUMP	PUMPE MIT DREHKNOFF	KIT POMPE MANUELLE	KIT BOMBA MANUAL
R0914		CORPO POMPA 496/3	PUMP BODY	PUMPENKÖRPER	CORPS DE POMPE	CUERPO BOMBA
R0915		MANICO POMPANTE	PUMP HANDLE	PUMPENDREHKNOFF	LEVIER DE CYLINDER-POMPE	ASA BOMBEADOR
R0916		VITE MANICO POMPA	PUMP HANDLE SCREW	VENTILFEDER SCHRAUBE	VIS RESSORT POMPE	TORNILLO MUELLE VÁLVULA
R0917		RONDELLA MANICO POMPA	WASHER	SCHEIBE	RONDELLE	ARANDELA
R0918		KIT SUPPORTO POMPA PNEUMATICA	PUMP HOLDER		KIT SUPPORT POMPE	KIT SOPORTE BOMBA
R1006		DADOBK M20X1.5 UNI 7474 ZB	SELF-LOCKING NUT M20X1.5 UNI 7474 ZB	MUTTER M20X1.5 UNI 7474	ÉCROU AUTOBLOQUANT M20X1.5 UNI 7474 ZB	TUERCA M20X1.5 UNI 7474
R1376		TUBO PER POMPA PNEUMATICA TRAV	PIPE	SCHLAUCH	TUYAU	TUBO
R1377		VALVOLA CONTROLLO DISCESA TRAV	LOWERING CONTROL VALVE	SENKVENTIL	CLAPET CONTROLE DESCENTE	VÁLVULA
R1386XX		SCATOLA 403	BOX	GEHÄUSE	BIOTE	CAJA
R1387XX		TRAVERSA MOBILE 403	CROSSBEAM	TRAVERSE	TRAVERSE	TRAVESAÑO
R1388		LEVA INTERNA 403 ZB	INSIDE LEVER	HEBEL	LEVIER INTERNE	PALANCA
R1389		LEVA ESTERNA 403 ZB	EXTERNAL LEVER	HEBEL	LEVIER	PALANCA
R1390		ASTA DI SICUREZZA 403 ZB	SAFETY ROD	SCHERHEITS-ZAHNSTANGE	POINTEAU DE SÉCURITÉ	BARRA DE SEGURIDAD
R1391		CILINDRO COMPLETO 403M-P	COMPLETE CYLINDRE	ZYLINDER KOMPLETT	VEREIN COMPLÈTE	CILINDRO COMPLETO
R1392		CANNA CILINDRO 403M-P	CYLINDER TUBE	ZYLINDERROHR	CYLINDRE DE VÉRIN	CAÑA CILINDRO
R2071		TAPPO TE 1/4	BLIND PLUG TE 1/4	STOPSEL TE 1/4	BOUCHON AVEUGLE TE 1/4	TAPÓN TE 1/4
R2148		POMPANTE DE	DE PUMPING ELEMENT	STEMPEL DE	ELÉMENT POMPANT DE	MANDO DE BOMBEO
R2302		O'RING 117	O'RING 117	O-RING 117	JOINT TORIQUE 117	ARANDELA 117
R2507		KIT RULLO .07	WHEEL KIT .07	KIT FESTES .7	KIT ROUE .7	KIT RODILLO .7
R2549		KIT ATTACCO STRUT.COMPL. .07	KIT CONNECTING STRUCTURE .07	STRUKTURANSCHLUSSBLECH SET .07	KIT FIXATION STRUCTURE .07	KIT BASTIDOR DE ENGANCHE .07
R3132		SFERA 5/16°	BALL 5/16°	KUGEL 5/16°	BILLE 5/16"	ESFERA 5/16°
R3201		SERBATOIO BIANCO POMP	TANK	BEÄHELTER	RESERVOIR	DEPÓSITO BLANCO BOMBA
R3202		COPERCHIO POMPA HP700	COVER PLATE	DECKEL	COUVERCLE POMPE HP700	TAPA
R3203		PEDALIERA POMPA HP700	FOOT PEDAL	STEUERPEDAL	PEDALE	PEDAL BOMBA HP700
R3204		SEDE VALV. RITORNO POMPA HP700	RELEASE VALVE	VENTILSITZ	SIEGE SOUPE DE RETOUR	SEDE VÁLVULA RETORNO BOMBA HP700
R3205		CORPO PERNO DIFFERENZ. POMPA H	RELEASE GUIDE (TORQUE TO 0+75 -LBS OILED)	DIFFERENTIALZAPFENKÖRPER (DREHMOMENT 95+100 NM GESCHMIERT)	CORPS PIVOT DIFFERENTIEL	CUERPO PERNO DIFERENCIAL BOMBA H
R3206		MOLLA PERNO DIFFERENZ. POMPA H	SPRING	DIFFERENTIALZAPFENFEDER	RESSORT TIGE DIFFERENTIEL	MUELLE PERNO DIFERENCIAL BOMBA H
R3207		PERNO DIFFERENZ. POMPA HP700	RELEASE/PLUNGER	DIFFERENTIALZAPFEN	PIVOT DIFFERENTIEL	PERNO
R3208	*	MOLLA VALV. INIZIO CICLO POMPA	SPRIG	VENTILFEDER	RESSORT SOUPE DEBUT CYCLE	MUELLE VÁLVULA INICIO CICLO BOMBA

R3209	*	PISTONE INIZIO CICLO HP700	PISTON	KOLBEN	PISTON COMMANDE DEBUT CYCLE	PISTÓN
R3210	*	PERNO COMANDO INIZIO CICLO POM	PIN	STEUERZAPFEN	PIVOT COMMANDE DEBUT CYCLE	PERNO
R3211		SEDE VALV. POMPA HP700	POPPET GUIDE	VENTILSITZ	SIEGE SOUPAPE	SEDE VÁLVULA BOMBA HP700
R3212		RONDELLA SEDE RITORNO POMPA HP	WASHER	SCHEIBEN	RONDELLE SIEGE DE RETOUR	ARANDELA
R3213		MOLLA SFERA RITORNO OLIO POMPA	SPRNG	FEDER	RESSORT ROTULE RETOUR HUILE	MUELLE ESFERA RETORNO ACEITE BOMBA
R3214		RONDELLA RAME 14X20X1 POMPA HP	WASHER	UNTERLEGSCHIEBE	RONDELLE CUIVRE 14X20X1	ARANDELA
R3215		RACCORDO FILTRO ASP. POMPA HP7	FILTER ADAPTER (TORQUE TO 45+55 LT-BS OILED)	SAUGFILTERNIPPEL (ANZUGSMOMENT 95 +135 NM GESCHMIERT)	ADAPTATEUR FILTRE ASP.	RACOR FILTRO ASPIRACIÓN BOMBA
R3216		FILTRO OLIO POMPA HP700	OIL FILTER	OELFILTER	FILTRE HUILE	FILTRO ACEITE BOMBA HP700
R3217		CORPO POMPANTE POMPA HP700	CYLINDER HP 700 (TORQUE TO 90+100 LT-LBS OILED)	PUMPENGEHAEUSE	CORPS CYLINDRE	CUERPO BOMBA
R3218		CORPO POMPA HP700	BODY	PUMPENKÖRPER	CORPS DE POMPE HP700	CUERPO BOMBA
R3219		FASCETTA SERRAGGIO CANNA POMPA	RETAINING COUPLING	UNTERLEGSCHIEBE	COLLIER DE SERRAGE CHEMISE VERIN	ABRAZADERA AJUSTE CAMISA BOMBA
R3220		RONDELLA RAME 18X24X1,5 POMPA	WASHER	BRONZEBUCHSE HP700	RONDELLE CUIVRE 18X24X1,5	ARANDELA
R3222		GHIERA DI GUIDA HP 700	RETAINER PISTON GUIDE HP 700	NUTMUTTER HP700	BAGUE SEEGER	VIROLA
R3223	*	POMPANTE POMPA HP700	PISTON HP 700	KOLBEN HP700	PISTON DE POMPE	MANDO DE BOMBEO
R3224	*	CANNA POMPA HP700	CYLINDER	LAUFBUCHSE	CHEMISE DE VERIN	CAMISA BOMBA HP700
R3225		MOLLA POMPANTE POMPA HP700	SPRING	KOLBENFEDER	RESSORT	MUELLE BOMBADOR BOMBA HP700
R3226		RONDELLA FERMO MOLLA POMPA HP7	SPRING WASHER HP 700	FEDERHALTEPLATTE HP700	RONDELLE DE SECURITE RESSORT	ARANDELA
R3227		PISTONE POMPA HP700	PISTON	KOLBEN	PISTON	PISTÓN
R3228		RONDELLA DI TENUTA POMPA HP700	WASHER SEAL	DICHTUNGSSCHIEBE	RONDELLE D'ETANCHEITE	ARANDELA
R3229		PISTONE INVERTITORE POMPA HP70	PISTON	KOLBEN	PISTON INVERSEUR	PISTÓN
R3230		BOCCOLA FERMO OR POMPA HP700	BUSHING	O-RING-HALTERUNGSBUCHSE	DOUILLE D'ARRET	CASQUILLO TOPE BOMBA HP700
R3231	*	TESTATA POMPA HP700	HEED	ZYLINDERKOPF	CULASSE	CABEZAL BOMBA HP700
R3232		FLANGIA POMPA HP700	FLANGE	FLANSCH	BRIDE	BRIDA
R3233		PERNO PISTONE INVERT. POMPA HP	POPPET PLUNGER	KOLBENZAPFEN	PIVOT PISTON INVERSEUR	PERNO
R3234	*	GUARNIZIONE TENUTA FRONT. POMP	HEAD GASKET	DICHTUNG	JOINT D'ETANCHEITE FRONTAL	JUNTA
R3235		RACCORDO VALVOLA LIMIT. POMPA	CONNECTION	UEBERDRUCKVENTIL-HOHLKOERPER	RACCORD SOUPAPE DE LIMITATION	RACOR VÁLVULA LIMITADORA BOMBA
R3236		SPINGIMOLLA POMPA HP700	PLUG PUMP HP 700	FEDERSCHIEBER	PRESSE-RESSORT	EMPUJE DE MUELLE BOMBA HP700
R3237		MOLLA VALV. LIMITATR. POMPA HP	SPRING	VENTILFEDER	RESSORT SOUPAPE DE LIMITATION	MUELLE VÁLVULA LIMITADORA BOMBA
R3238		OTTURATORE VALV. LIMITATR. POM	CONE	VENTILVERSCHLUSS	OBTURATEUR SOUPAPE DE LIMITATION	OBTURADOR VALV.LIMITAD. BOMBA
R3239		SEDE VALV. LIMITATR. POMPA HP7	SEAT	VENTILSITZTELLER	SIEGE SOUPAPE DE LIMITATION	SEDE VALV. LIMTAD. BOMBA
R3240		RONDELLA RAME 8X12X1,5 POMPA A	WASHER	UNTERLEGSCHIEBE	RONDELLE CUIVRE	ARANDELA
R3241		SEDE VALV. MANDATA POMPA HP700	BALL SEAT	VENTILSITZ	SIEGE SOUPAPE DE REFOULEMENT	SEDE VALV. DISTRIBUCIÓN BOMBA

R3242		MOLLA VALV. MANDATA POMPA HP70	SPRING	VENTILFEDER	RESSORT SOUPAPE DE REFOULEMENT	MUELLE VALV. DISTRIBUCIÓN BOMBA
R3243		RACCORDO VALV. MANDATA POMPA H	CONNECTION	UEBERDRUCKVENTIL-HOHLKOERPER	RACCORD SOUPAPE DE REFOULEMENT	RACOR VALV. DISTRIBUCIÓN BOMBA
R3244		RONDELLA NYLON POMPA HP700	SPACER	UNTERLEGSCHIEBE	RONDELLE NYLON	ARANDELA
R3245		RACCORDO ORIENTABILE POMPA HP7	CONNECTION	ANSCHLUSSBLOCK SCHWENKBAR	RACCORD ORIENTABLE	RACOR ORIENTABLE BOMBA
R3246		ANELLO ANTIESTRUSIONE POMPA HP	BK-RING	RING	BAGUE ANTI-EXTRUSION	ANILLO ANTI-EXTRUSIÓN BOMBA
R3247		SPINA PEDALE POMPA HP700	PIN	DREHSTIFT F. PEDAL	TENON PEDALE	CLAVIJA PEDAL BOMBA HP700
R3248		TAPPO OLIO TCNS 1/4 POMPA HP70	FILTER PLUG	OELEINFUELLSCHRAUBE	BOUCHON HUILE	TAPÓN ACEITE TCNS ¼ BOMBA
R3249		RONDELLA FERMO MOLLA HP700	SPRING WASHER HP 700 - HP 500 - HP 250	FEDERHALTEPLATTE	RONDELLE SECURITE RESSORT	ARANDELA
R3250		PERNO POMPA HP700	PIN	ZAPFEN	GOUJON	PERNO
R3251	*	VALVOLA SICUREZZA POMPA HP700	SAFETY VALVE	SICHERHEITSVENTIL HP700	SOUPAPE DE SECURITE	VALVULA
R3252		RACCORDO ARIA POMPA HP700	CONNECTION	LUFTANSCHLUSS	RACCORD AIR	RACOR AIRE BOMBA HP700
R3253		FILTRO ARIA POMPA HP700	AIR FILLTER	LUFTFILTER	FILTRE A AIR	FILTRO AIRE BOMBA HP700
R3254		GUIDA SFERA POMPA HP700	BALL GUIDE	KUGELSITZ	GUIDE ROTULE	GUÍA ESFERA BOMBA HP700
R3255		RONDELLA RAME 16X20X1,5 POMPA	WASHER	UNTERLEGRING	RONDELLE CUIVRE	ARANDELA
R3256		SILENZIATORE POMPA HP700	FOAM TUBE	SCHALLDAEMPFER	SILENCIEUX	SILENCIADOR BOMBA HP700
R3257		PROTEZIONE SFERA POMPA HP700	FOAM TUBE	KUGELSCHUTZ	PROTECTION ROTULE	PROTECCIÓN ESFERA BOMBA HP700
R3258		O'RING 104 1A008	O-RING 104	O-RING 104	JOINT TORIQUE 104	ARANDELA 104
R3259		ANELLO ANTIESTRUSIONE POMPA HP	BK-RING	RING	BAGUE ANTI-EXTRUSION	EMPAQUE
R3261		ANELLO ANTIESTRUSIONE POMPA HP	BK-RING	RING	BAGUE ANTI-EXTRUSION	ANILLO ANTI-EXTRUSIÓN BOMBA
R3262		TAPPO PIOMBO POMPA HP700 (107)	LEADEN SEAL	BLEISTOPFEN	BOUCHON EN PLOMB	TAPÓN PLOMO BOMBA HP700 (107)
R3264		ANELLO ANTIESTRUSIONE POMPA HP	BK-RING	RING	BAGUE ANTI-EXTRUSION	ANILLO ANTI-EXTRUSIÓN BOMBA
R3265		RASCHIATORE G6-10-2 POMPA HP70	WIPER D.6	ABSTREIFRING D6	RACLEUR G6-10-2	PALA G6-10-2 BOMBA
R3272	*	O'RING 114	O-RING 114	O-RING 114	JOINT TORIQUE 114	ARANDELA 114
R3273	*	O'RING 2050	O-RING 2050	O-RING 2050	JOINT TORIQUE	ARANDELA 2050
R3274	*	O'RING 2010	O-RING 2010	O-RING 2010	JOINT TORIQUE 2010	ARANDELA 2010
R3275	*	O'RING 2012	O-RING 2012	O-RING 2012	JOINT TORIQUE 2012	ARANDELA 2012
R3276		GUARNIZIONE COPERCHIO SERBATOI	SEAL	TANKDECKELDICHTUNG	JOINT COUVERCLE RESERVOIR	GUARNICIÓN TAPA DEPÓSITOS
R3277		AMMORTIZZATORE POMPA HP700	SHOCK ABSORBER HP700-HP500	STOSSDAEMPFER HP700	AMORTISSEUR	AMORTIGUADOR BOMBA HP700
R3278		O'RING 3268	O-RING 3268	O-RING 3268	JOINT TORIQUE 3268	EMPAQUE 3268
R3279		GUARNIZIONE POMPANTE POMPA HP7	"U" CUP HP 700	KOLBENDICHTUNG HP700	JOINT PISTON	GUARNICIÓN BOMBEADOR BOMBA
R3280	*	GUARNIZIONE PISTONE ARIA POMPA	"U" CUP	LUFTKOLBENDICHTUNG	JOINT PISTON AIR	GUARNICIÓN PISTÓN AIRE BOMBA
R3281	*	GUARNIZIONE CANNA POMPA HP700	SEEL	LAUFBUCHSENDICHTUNG	JOINT CYLINDRE	JUNTA
R3282		GUARNIZIONE	GASKET	DICHTUNG	JOINT	JUNTA
R3283		O'RING 2100	O-RING 2100	O-RING 2100	JOINT TORIQUE 2100	ARANDELA 2100

R3284		O'RING 3200	O-RING 3200	O-RING 3200	JOINT TORIQUE 3200	ARANDELA 3200
R3285		VITE TCEI M5X10 UNI 5931 ZB	HEX. SOCKET HEAD SCREW M5X10 UNI 5931 ZB	SCHRAUBE*	VIS M5X10 UNI 5931*	TORNILLO*
R3286		O'RING 3218	O-RING 3218	O-RING 3218	JOINT TORIQUE 3218	ARANDELA 3218
R3287		O'RING 115	O-RING 115	O-RING 115	JOINT TORIQUE 115	ARANDELA 115
R3288		SEEGER POMPA HP700	RETAINING RING	SEEGER	BAGUE SEEGER	SEEGER
R3289		VITE TSCE 90° M5X18 UNI 5933 Z	SCREW M5X18 UNI 5933 Z	SCHRAUBE 90° M5X18 UNI 5933 Z	VIS TSCE 90° M5X18 UNI 5933 Z	TORNILLO 90° M5X18 UNI 5933 Z
R3290		VITE TCTC M5X10 UNI 6107 ZB	SCREW M5X10 UNI 6107 ZB	SCHRAUBE M5X10 UNI 6107 ZB	VIS TCTC M5X10 UNI 6107 ZB	TORNILLO M5X10 UNI 6107 ZB
R3291		GRANO BLOK STEI M6X104 POMPA H	SET SCREW (NYLOCK)	GEWINDESTIFT	GRAIN BLOK STEI M6X104	GRANO
R3293		RIVETTO ACC. 1,9X3,5 UNI 7346	RIVET	SCHRAUBE 1,9X3,5 UNI 7346	RIVET 1,9X3,5 UNI 7346	REMACHE 1,9X3,5 UNI 7346
R3295		O'RING 119	O-RING 119	O-RING 119	JOINT TORIQUE 119	ARANDELA 119
R3296		SEEGER AV20 POMPA HP700	SEEGER AV20	SEEGER AV20	BAGUE SEEGER AV20	SEEGER AV20
R3333		VITE (COPPIA 2,5 NM)	SCREW (TORQUE TO 25 IN-LBS)	SCHRAUBE (ANZUGSMOMENT 2,5 NM)	VIS (COUPLE 2,5 NM)	TORNILLO
R3334	*	GRANO	SCREW	DORN	GRAIN	GRANO
R3335		SPINA	PIN	SPANNSTIFT	TANON	CLAVIJA
R3340		RONDELLA POMPA HP700	WASHER	DICHTUNG	RONDELLE	ARANDELA
Z_RICAMBI		* = RICAMBI CONSIGLIATI	* = RECOMMENDED SPARE PARTS	* = EMPFOHLENE E-TEILE	* = PIECES DE RECHANGE CONSEILLEES	* = REPUESTOS ACONSEJAIOS