

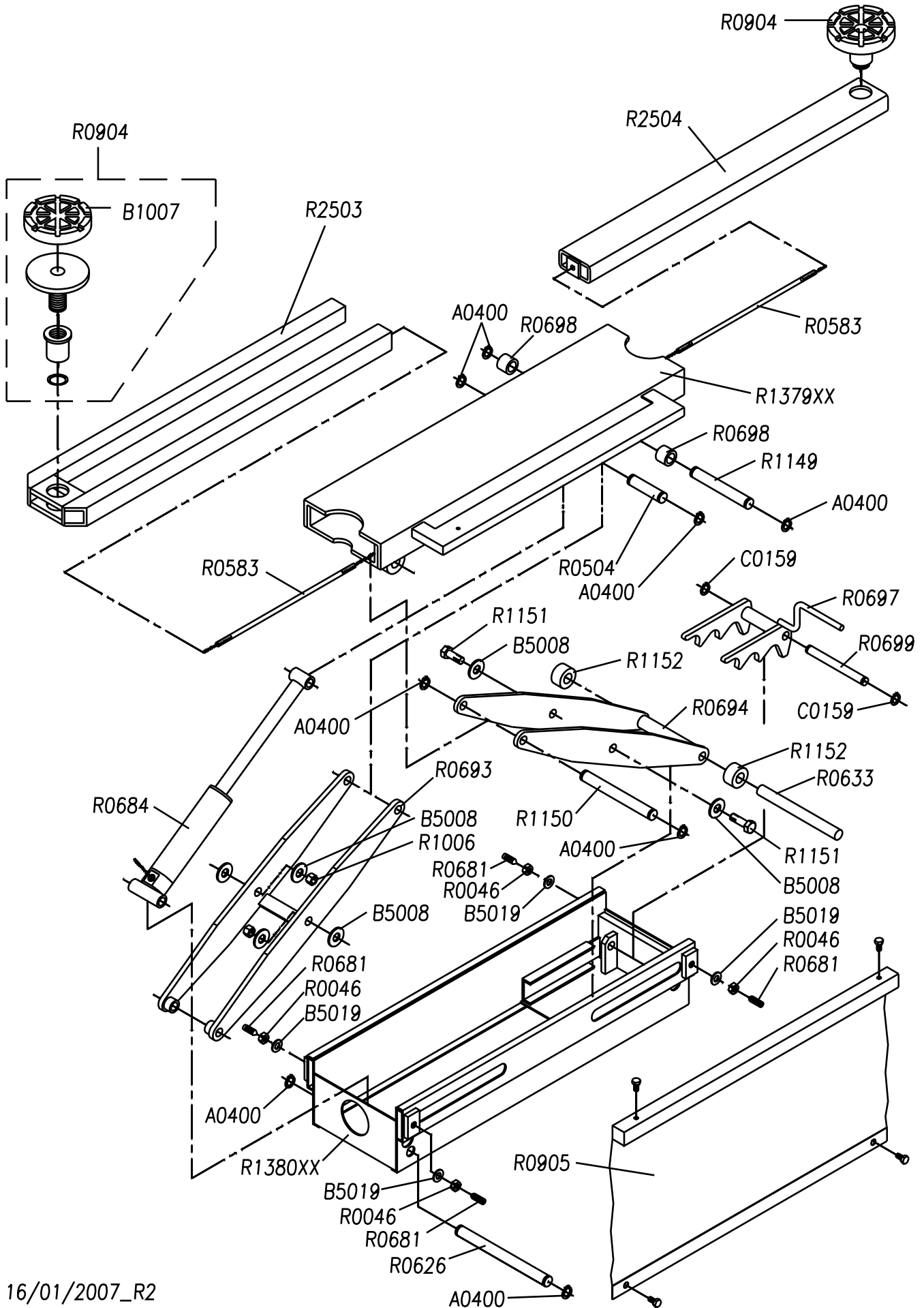
TRAVERSA IDRAULICA

HIDRAULIC JACKING BEAM

HYDRAULIKHEBER

TRAVERSE HYDRAULIQUE

VIGA HIDRÁULICA



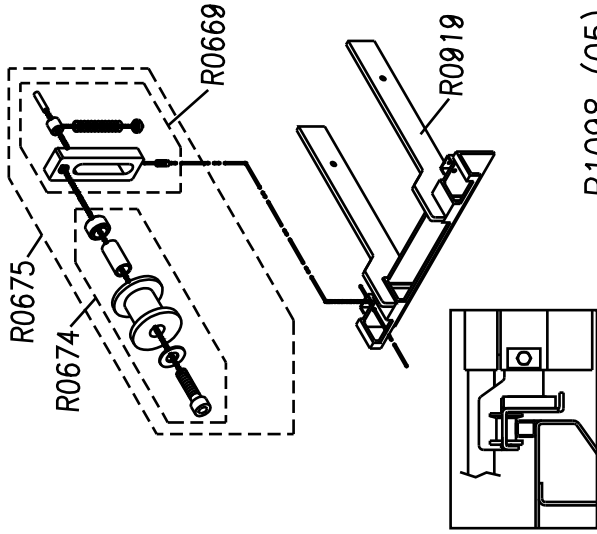
KIT ATTACCO STRUTTURA

KIT CONNECTING STRUCTURE

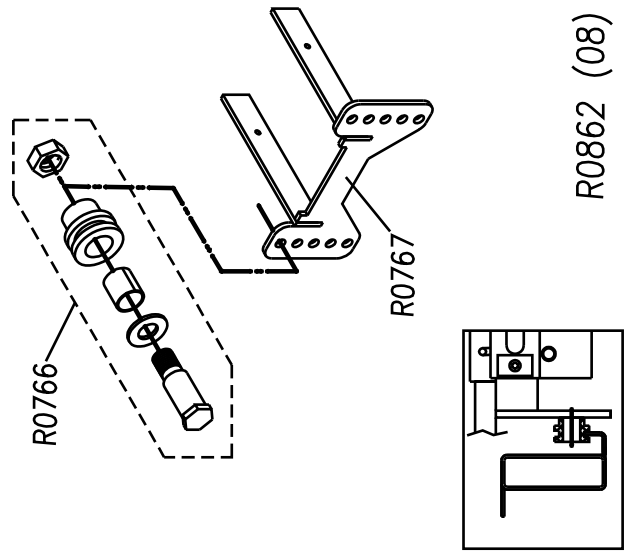
STRUKTURANSCHLUSSSATZ

KIT FIXATION STRUCTURE

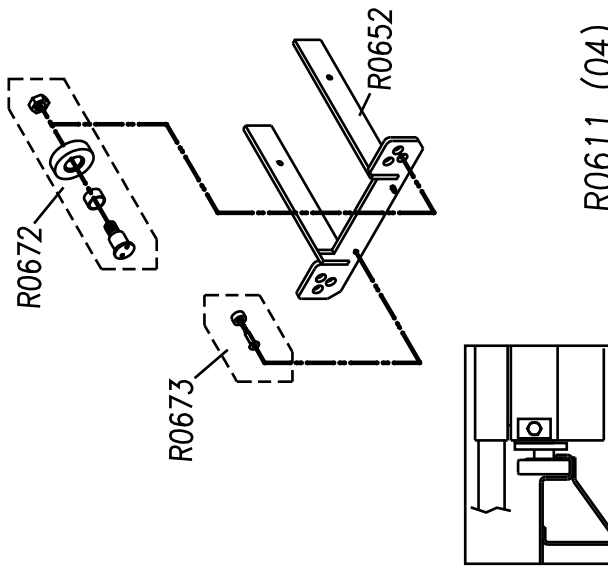
KIT CONEXIÓN ESTRUCTURA



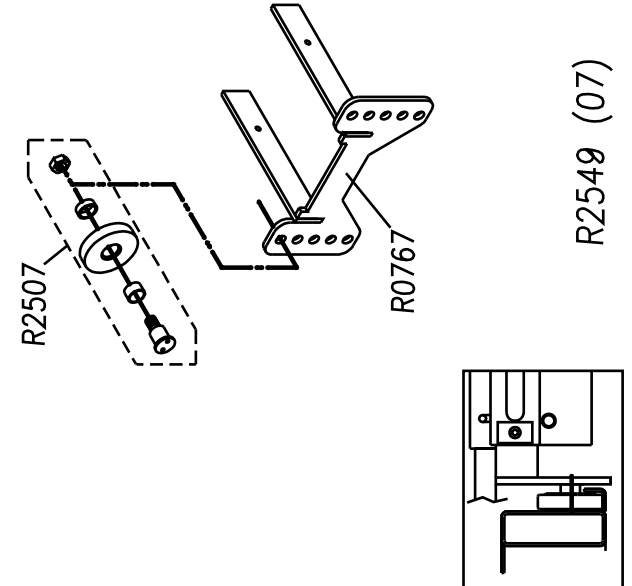
R1098 (05)



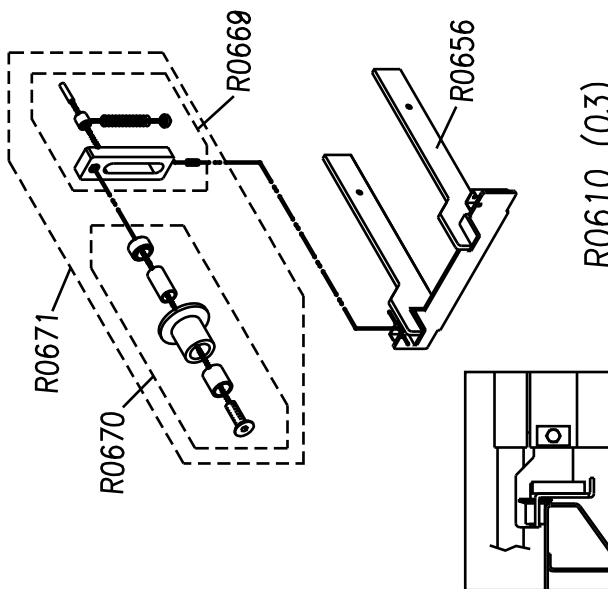
R0862 (08)



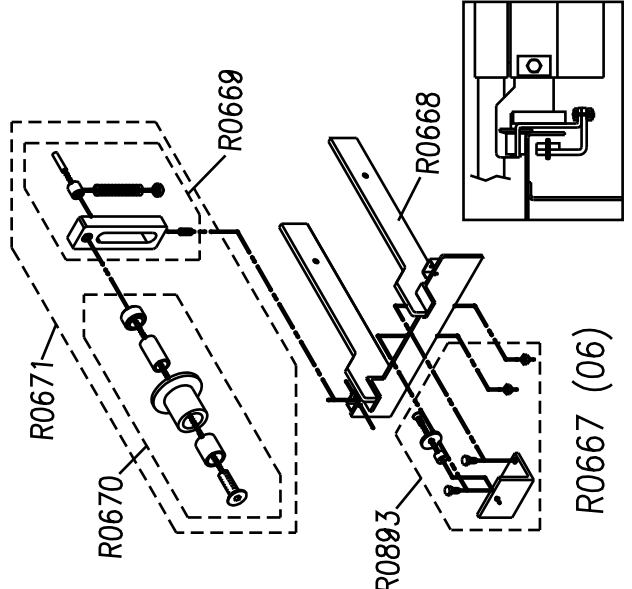
R0611 (04)



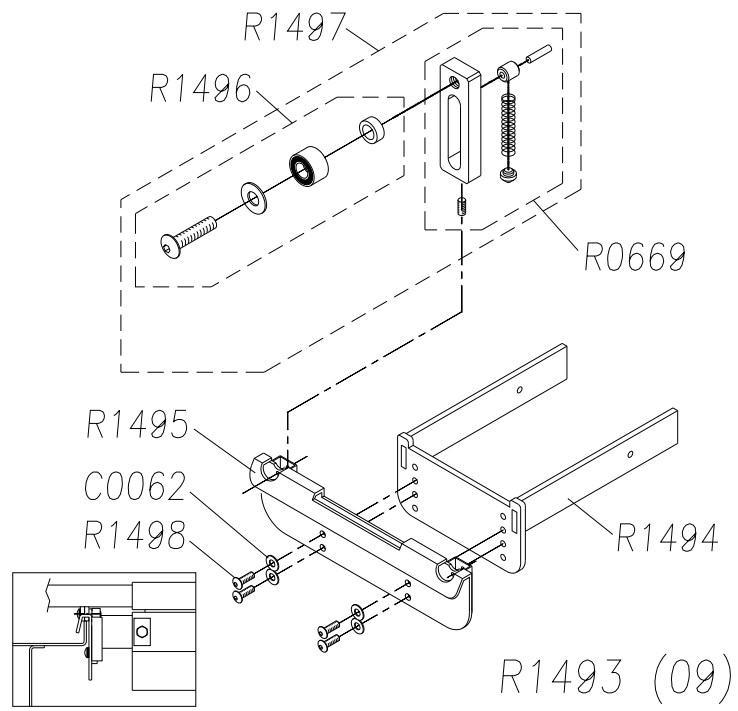
R2549 (07)



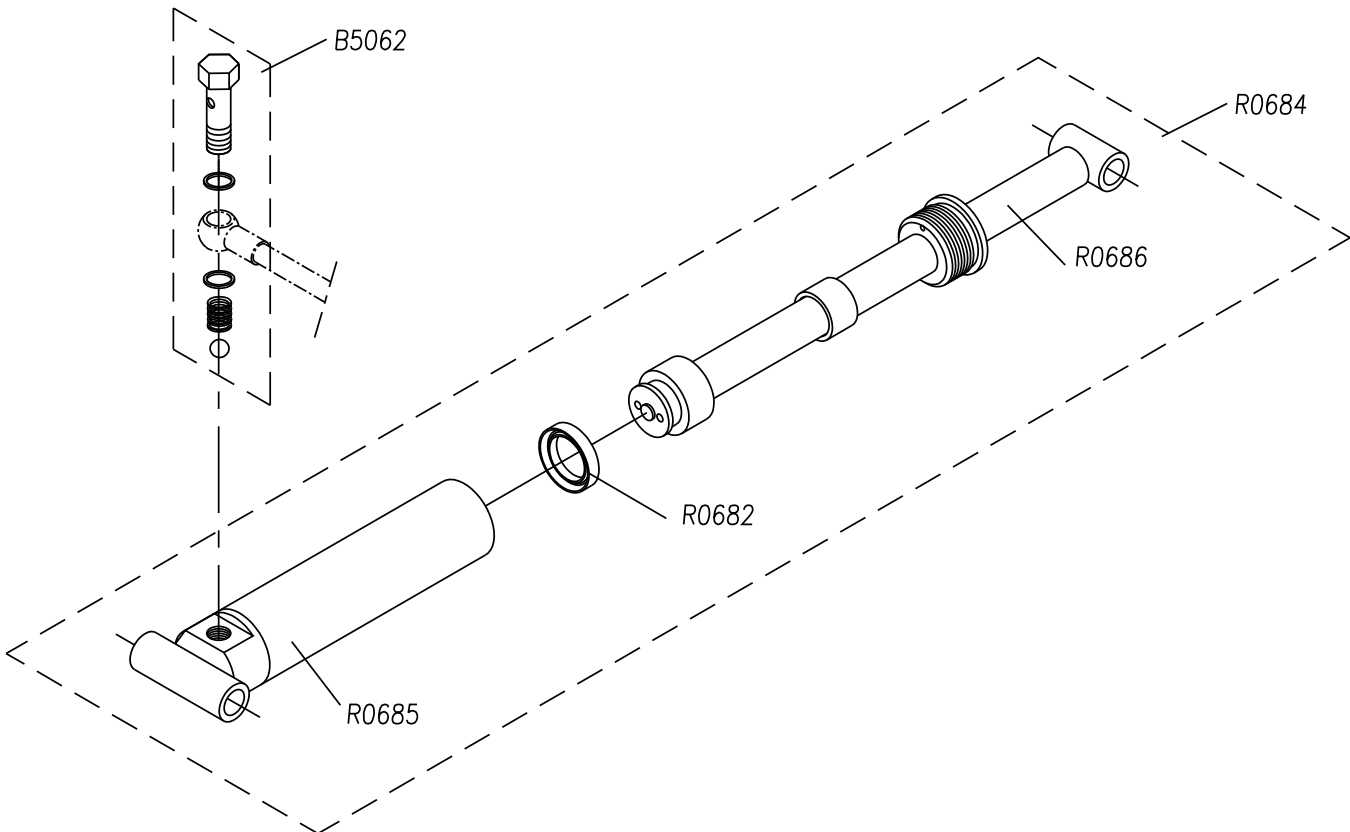
R0610 (03)



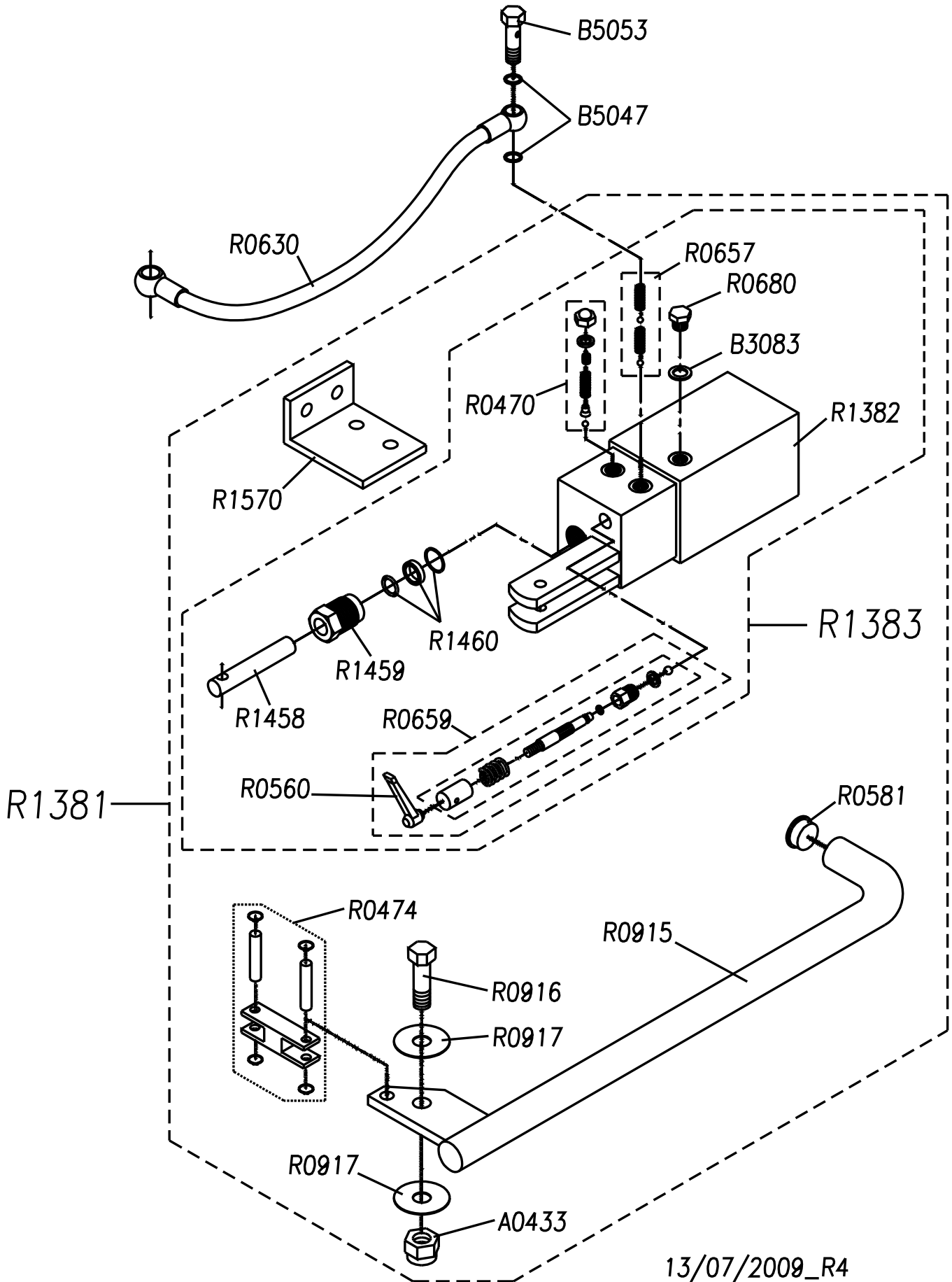
R0667 (06)

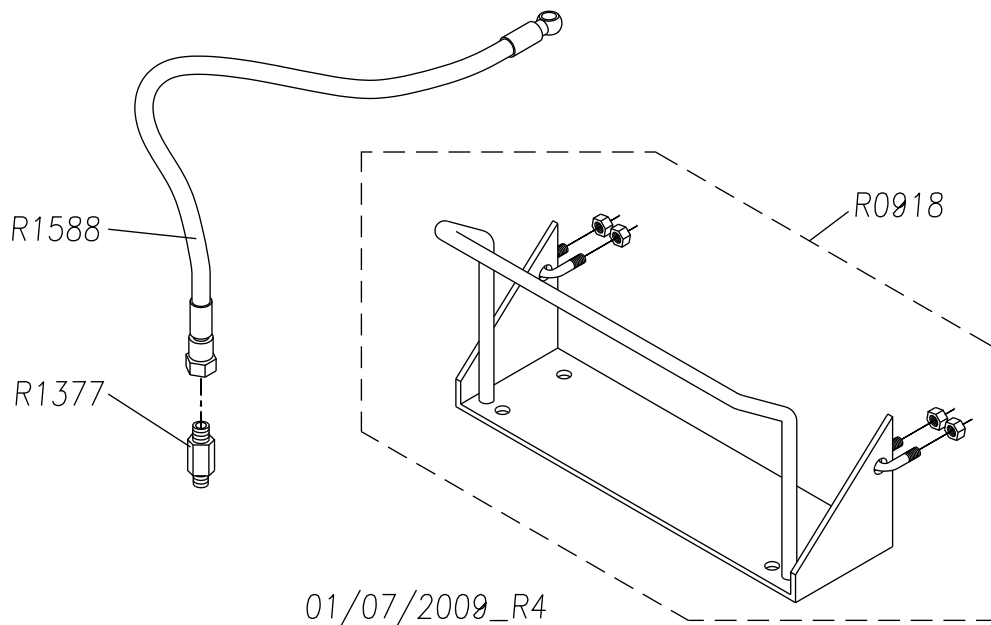


CILINDRO IDRAULICO	
HYDRAULIC CYLINDER	ZYLINDER
CYLINDRE	CILINDRO

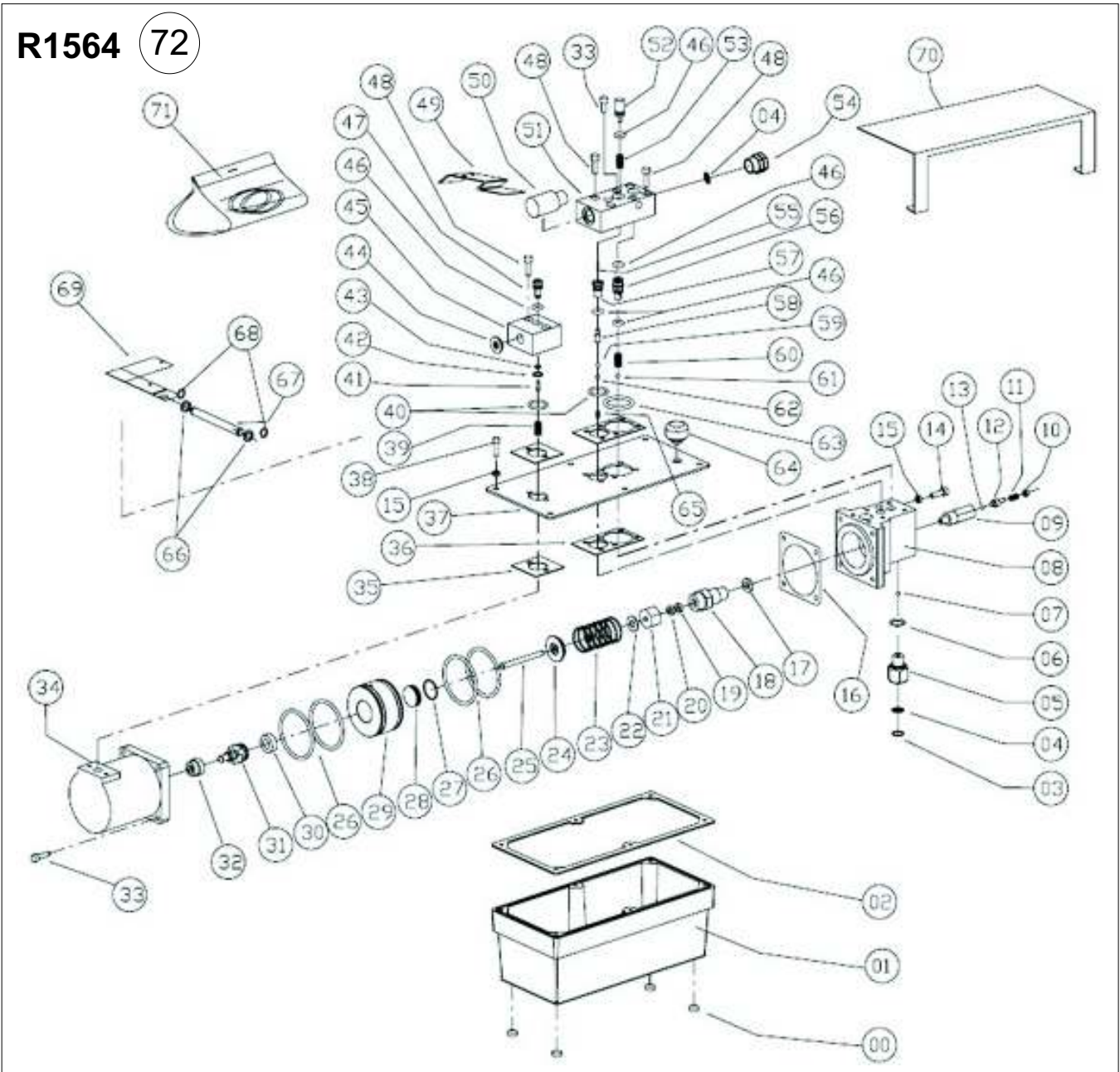


POMPA MANUALE	
MANUAL PUMP	PUMPE
POMPE	BOMBA





POMPA PNEUMATICA	
PNEUMATIC PUMP	PUMPE
POMPE	BOMBA



Part Code	Sugg	Descrizione	Description	Beschreibung	Description	Denominacion
A0400		SEEGER E20 UNI 7435	SNAP RING E20 UNI 7435	SEEGER-RING E20 UNI 7435	CIRCLIPS E 20 UNI 7435	SEEGER E20 UNI 7435
A0433		DADO AUTOBLOCCANTE M12 ZINCATO	SELF-LOCKING NUT M12	SELBSTSPERRENDE MUTTER M12	ECROU FREIN M12	TUERCA AUTOBLOQUEADORA M12 ZINCADA
B1007	*	DISCO GOMMA	RUBBER PAD	PLATTE	PLATEAU	DISCO
B3083		RONDELLA RAME 1/2	1/2" COPPER WASHER	KUPFERSCHEIBE 1/2	RONDELLE DE CUIVRE 1/2	ARANDELA DE COBRE 1/2
B5008		RONDELLA P 21X37X3 UNI 6592	WASHER Ø21X37X3 UNI 6592	UNTERLEGSCHNEIBE Ø21X37X3 UNI 6592	RONDELLE PLATE 21X37 UNI 6592	ARANDELA 21X37 UNI 6592
B5019		PERNO AZIONAMENTO T.L.C. W435	COMMAND SIDE CROSS PIN	STIFT T.L.C.	GOUJON D'ACTIONNEMENT T.L.C	PERNO ACCIONAMIENTO T.L.C.
B5047	*	RONDELLA DI TENUTA CON GUARNIZIONE 1/4"	GASKET WITH 1/4" SEAL	DICHTUNGSUNTERLEGSCHNEIBE MIT DICHTUNG 1/4"	RONDELLE D'ÉTANCHÉITÉ 1/4"	ARANDELA DE CIERRE CON GUARNICIÓN 1/4"
B5053	*	VITE FORATA 1/4	SCREW 1/4	SCHRAUBE 1/4"	BOUCHON RENIFLARD 1/4"	TORNILLO CON ORIFICIO 1/4"
B5062	*	KIT VALVOLA BLOCCA CILINDRO	CYLINDER SAFETY VALVE ASSEMBLY	ZYLINDERSPERRVENTIL	ENSEMBLE CLAPET PARACHUTE	KIT VÁLVULA DE BLOQUEO
C0062		RONDELLA Ø10,5X21 UNI 6592	WASHER Ø10,5X21 UNI 6592	SCHEIBE Ø10,5X21	RONDELLE Ø10,5X21	ARANDELA PLANA Ø10 5X21
C0159		ANELLO SEEGER E15 UNI 7435	SEEGER E15 UNI 7435	SEEGER-RING E15 UNI 7435	BAGUE EXTÉRIEUR Ø15	ARO ELÁSTICO ØE 15 UNI 7435
R0046		DADO MEDIO M12 UNI 5588	NUT M12	MUTTER M12 UNI 5588	ECROU M12 UNI 5588	TUERCA M12 UNI 5588
R0470		KIT VALVOLA DI MASSIMA POMPA	SAFETY VALVE KIT	SET UEBERDRUCKVENTIL	ENSEMBLE VALVE DE SURPRESSION	KIT VÁLVULA DE MÁXIMA
R0474		KIT BIELLA POMPA+FLANGIA	FLANGE + CONNECTING MOD KIT	SET FLANSCH	ENSEMBLE FLASQUE	KIT BIELLA BOMBA
R0504		PERNO SUP. SNODO CILINDRO	UPPER CYLINDER JOINT PIN	OBERER ZYLINDER-LAGERBOLZEN	AXE SUP. ARTICULATION VERIN	PERNO
R0560		MANIGLIA SPILLO	PIN HANDLE	HANDGRIFF	POIGNEE DESCENTE	ASA
R0581		TAPPO LEVA	LEVER PLUG	STÖPSEL	BOUCHON	TAMPÓN
R0583		TIRANTE 496	ROD	STANGE	TIRANTE	TIRANTE
R0610		KIT ATTACCO STRUT.COMPL. .03	KIT CONNECTING STRUCTURE .03	STRUKTURANSCHLUSSBLECH SET .03	KIT FIXATION STRUCTURE .03	BASTIDOR DE ENGANCHE .03
R0611		KIT ATTACCO STRUT.COMPL. .04	KIT CONNECTING STRUCTURE .04	STRUKTURANSCHLUSSBLECH SET .04	KIT FIXATION STRUCTURE .04	BASTIDOR DE ENGANCHE .04
R0626		PERNO CIL.TELAID.20X229 496R	CYLINDER FRAME PIN	STIFT	AXE	PERNO
R0630		TUBO FLESS.	FLEX HOSE	WASSERSCHLAUCH	FLEXIBLE HAUTE	TUBO
R0633		PERNO INF RULLI D.20X202	LOWER PIN FOR ROLL D.20X202	STIFT	AXE	PERNO
R0652		APPOGGIO SCORREVOLE .04	SLIDING SUPPORT	VERSCHIEBBARE HALTERUNG	APPUI COULISSANT	APOYO DESLIZABLE
R0656		APPOGGIO SCORREVOLE .03	SLIDING SUPPORT	VERSCHIEBBARE HALTERUNG	APPUI COULISSANT	APOYO DESLIZABLE
R0657		VALVOLA ASPIR.COMPRESSI.	SUCTION VALVE	VENTIL	SOUPAPE	VÁLVULA
R0659		VALVOLA SCAR.	DISCHARGE VALVE	VENTIL	SOUPAPE	VÁLVULA
R0667		KIT ATTACCO STRUT.COMPL. .06	KIT CONNECTING STRUCTURE .06	STRUKTURANSCHLUSSBLECH SET .06	KIT FIXATION STRUCTURE .06	BASTIDOR DE ENGANCHE .06
R0668		APPOGGIO SCORREVOLE .06	SLIDING SUPPORT	VERSCHIEBBARE HALTERUNG	APPUI COULISSANT	APOYO DESLIZABLE
R0669		KIT PIATTO SCORRIM. .03 - .05 - .06	GUIDING PAD ASSY	GLEITPLATTENSATZ 401:3:5:6	KIT PLAQUE COULISSEMENT 401:3:5:6	KIT PLANO DESLIZAMIENTO 496.6
R0670		KIT RULLO .3 - 6	WHEEL KIT .03 - .06	KIT FESTES .6	KIT ROUE .6	KIT RODILLO 401:3:6

R0671	KIT RULLO+SUPPORTO .03 - .06	ROLLER+SUPPORT ASSY	SATZ ROLLE + HALTERUNG 401.3.6	KIT ROUE + SUPPORT 401.3.6	KIT RODILLO + SOPORTE 401.3.6
R0672	KIT RULLO .04	WHEEL KIT .04	KIT FESTES .4	KIT ROUE .4	KIT RODILLO 401.4
R0673	KIT PATTINO LATERALE .4	LATERALL PAD ASSY	SATZ SEITLICHER GLEITSCHUH 401.4	KIT PATIN LATERAL 401.4	KIT PATÍN LATERAL 401.4
R0674	KIT RULLO .05	WHEEL KIT .05	KIT FESTES .5	KIT ROUE .5	KIT RODILLO 401.5
R0675	KIT RULLO+SUPPORTO .05	ROLLER+SUPPORT ASSY	SATZ ROLLE + HALTERUNG 401.5	KIT ROUE + SUPPORT 401.5	KIT RODILLO + SOPORTE 401.5
R0680	TAPPO SFIATO TE 1/2 401M	BLEED PLUG	ENTLUEFTUNGSDECKEL	BOUCHON RENIFLAR	TAPON DE ESCAPE
R0681	GRANO M12X30 UNI 5927 ZB	SCREW	STIFT	GRAIN	GRANO
R0682	* GUARNIZIONE RSE 50 35	GASKET RSE 50 35	DICHTUNG O RING RSE 50 35	ANNEAU DE ÉTANCHÉITE RSE 50 35	ARO DE SELLADO RSE 50 35
R0684	CILINDRO COMPL 401M-P	COMPLETE CYLINDRE	ZYLINDER KOMPLETT	VEREIN COMPLÈTE	CILINDRO COMPLETO
R0685	CANNA CILINDRO X 401M-P	CYLINDER TUBE	ZYLINDERROHR	CANNE DU CYLINDRE	CAÑA CILINDRO
R0686	STELO CILINDRO 401M-P	CYLINDER ROD	ZYLINDERSCHAFT	TIGE DE VÉRIN	VÁSTAGO CILINDRO
R0693	LEVA INTERNA 401M-P ZB	INSIDE LEVER	HEBEL	LEVIER INTERNE	PALANCA
R0694	LEVA ESTERNA 401M-P ZB	EXTERNAL LEVER	HEBEL	LEVIER	PALANCA
R0697	SICUREZZA MECC.401M-P ZB	MECHANICAL SAFETY	MECHANISCHE SICHERHEIT	SÉCURITÉ MÉCANIQUE	SEGURIDAD MECANICA
R0698	DISTANZ.PERNO MOBILE SUP.401M	SPACER	DISTANZSTÜCK	ENTRETOISE	DISTANCIADOR
R0699	PERNO SICUREZZA MECC.401M-P	SAFETY PIN	MECHANISCHE STIFT	SÉCURITÉ AXE	SEGURIDAD PERNO
R0766	KIT RULLO .08	WHEEL KIT .08	KIT FESTES .8	KIT ROUE .8	KIT RODILLO .8
R0767	APOGGIO SCORREVOLE .07-.08	SLIDING SUPPORT	VERSCHIEBBARE HALTERUNG	APUI COULISSANT	APOYO DESLIZABLE
R0862	KIT ATTACCO STRUT.COMPL..08	KIT CONNECTING STRUCTURE .08	STRUKTURANSCHLUSSBLECH SET 08	KIT FIXATION STRUCTURE .08	KIT BASTIDOR DE ENGANCHE .08
R0893	KIT PATTINO LATERALE .06	LATERALL PAD ASSY	KIT SEITLICHER GLEITSCHUH .06	KIT PATIN LATÉRAL .06	KIT PATÍN LATERAL .06
R0904	KIT PIATTIELLO REGISTRABILE	KIT PAD	AUFNAHMETELLER	KIT PLATEAU	KIT PLATILLO
R0905	TENDINE PROTEZIONE	PROTECTION	SCHUTZ	PROTECTION	PROTECCIÓN
R0915	MANICO POMPANTE	PUMP HANDLE	PUMPENREHKNOPF	LEVIER DE CYLINDER-POMPE	ASA BOMBEADOR
R0916	VITE MANICO POMPA	PUMP HANDLE SCREW	VENTILFEDER SCHRAUBE	VIS RESSORT POMPE	TORNILLO MUELLE VÁLVULA
R0917	RONDELLA MANICO POMPA	WASHER	SCHEIBE	RONDELLE	ARANDELA
R0918	KIT SUPPORTO POMPA PNEUMATICA	PUMP HOLDER		KIT SUPPORT POMPE	KIT SOPORTE BOMBA
R0919	APOGGIO SCORREVOLE 402-496.5	SLIDING SUPPORT	VERSCHIEBBARE HALTERUNG	APUI COULISSANT	APOYO DESLIZABLE
R1006	DADOBKL M20X1.5 UNI 7474 ZB	SELF-LOCKING NUT M20X1.5 UNI 7474 ZB	MUTTER M20X1.5 UNI 7474	ÉCROU AUTOBLOQUANT M20X1.5 UNI 7474 ZB	TUERCA M20X1.5 UNI 7474
R1098	ATTACCO STRUTTURA COMPL.402.5	SIDE-CONNECTION PLATE	STRUKTURANSCHLUSSBLECH	TÔLE RACCORD STRUCTURE	JUNTURA DE STRUCTURA
R1149	PERNO SUP.MOBILE 401M-P	PIN	STIFT	AXE	PERNO
R1150	PERNO SUP.FISSO 401M-P	PIN	STIFT	AXE	PERNO
R1151	PERNO CENTRALE LEVE 401M-P	PIN	STIFT	AXE	PERNO
R1152	RULLO INF.401M-P ZG	ROLL	ROLLE	ROULEAU	RODILLO INFERIOR
R1377	VALVOLA CONTROLLO DISCESA TRAV	LOWERING CONTROL VALVE	SENKVENTIL	CLAPET CONTROL DESCENTE	VÁLVULA
R1379XX	TRAVERSA MOBILE 402 9005	CROSSBEAM	TRAVERSE	TRAVERSE	TRAVESAÑO
R1380XX	SCATOLA 402 9005	BOX	GEHÄUSE	BIOTE	CAJA

R1381		KIT POMPA MANUALE+LEVA 402	KIT MANUAL PUMP WITH LEVER	PUMPE MIT DREHKNOFF	KIT POMPE MANUELLE AVEC LEVIER	KIT BOMBA MANUAL
R1382		CORPO POMPA 402	PUMP BODY	PUMPENKÖRPER	CORPS DE POMPE	CUERPO BOMBA
R1383		POMPA SIMANICO 402	PUMP	PUMPE	POMPE	
R1458		POMPANTE 11/2002	PUMPING	STEMPEL	POMPE	MANDO DE BOMBEO
R1459		CILINDRO POMPANTE 11/2002	CYLINDER PUMPING	ZYLINDER	VÉRIN	CILINDRO
R1460	*	KIT GUARNIZ.POMPA 11/2002	PUMP GASKETS SET	DICHTUNGSSATZ	JEU DE JOINTS	JUEGO DE JUNTAS
R1493		KIT ATTACCO STRUT.COMPL. .09	KIT CONNECTING STRUCTURE .09	STRUKTURANSCHLUSSBLECH SET .09	KIT FIXATION STRUCTURE .09	BASTIDOR DE ENGANCHE .09
R1494		SUPPORTO APPOGGIO SMONTABILE .09	SUPPORT FOR SLIDING PLATE .09	HALTERUNG NUR VESCHIEBBARE .09	SUPPORT POUR APPUI COULISSANT .09	SOPORTE POR APOYO DESLIZABLE .09
R1495		APPOGGIO SCORREVOLE .09	SLIDING SUPPORT .09	VERSCHIEBBARE HALTERUNG .09	APPUI COULISSANT .09	APOYO DESLIZABLE .09
R1496		KIT RULLO .07	WHEEL KIT .07	KIT FESTES .7	KIT ROUE .7	KIT RODILLO .7
R1497		KIT RULLO+SUPPORTO .03 - .06	ROLLER+SUPPORT ASSY	SATZ ROLLE + HALTERUNG 401.3.6	KIT ROUE + SUPPORT 401.3.6	KIT RODILLO + SOPORTE 401.3.6
R1498		VITE TBCE M10x20 UNI 7380	SCREW M10x20 UNI 7380	SCHRAUBE M10x20 UNI 7380	VIS M10x20 UNI 7380	TORNILLO M10x20 UNI 7380
R1588		TUBO PER POMPA PNEUMATICA	PIPE	SCHLAUCH	TUYAU	TUBO
R1570		SUPPORTO POMPA	PUMP SUPPORT	HALTER	SUPPORT	SOPORTE
R2503		PROLUNGA LATERALE 496.7 9005	EXTENSION LEVER	HEBEL,AUSSEN ZECHTS	BRAS EXTERIEUR DROIT	DISTANCIADOR
R2504		PROLUNGA CENTRALE 496.7 9005	CENTRAL EXTENSION	HEBEL,AUSSEN HNKS	BRAS EXTERIEUR CENTAL	DISTANCIADOR
R2507		KIT RULLO .07	WHEEL KIT .07	KIT FESTES .7	KIT ROUE .7	KIT RODILLO .7
R2549		KIT ATTACCO STRUT.COMPL. .07	KIT CONNECTING STRUCTURE .07	STRUKTURANSCHLUSSBLECH SET .07	KIT FIXATION STRUCTURE .07	KIT BASTIDOR DE ENGANCHE .07
Z_RICAMBI		* = RICAMBI CONSIGLIATI	* = RECOMMENDED SPARE PARTS	* = EMPFOHLENE E-TEILE	* = PIECES DE RECHANGE CONSEILLEES	* = REPUESTOS ACONSEJADOS