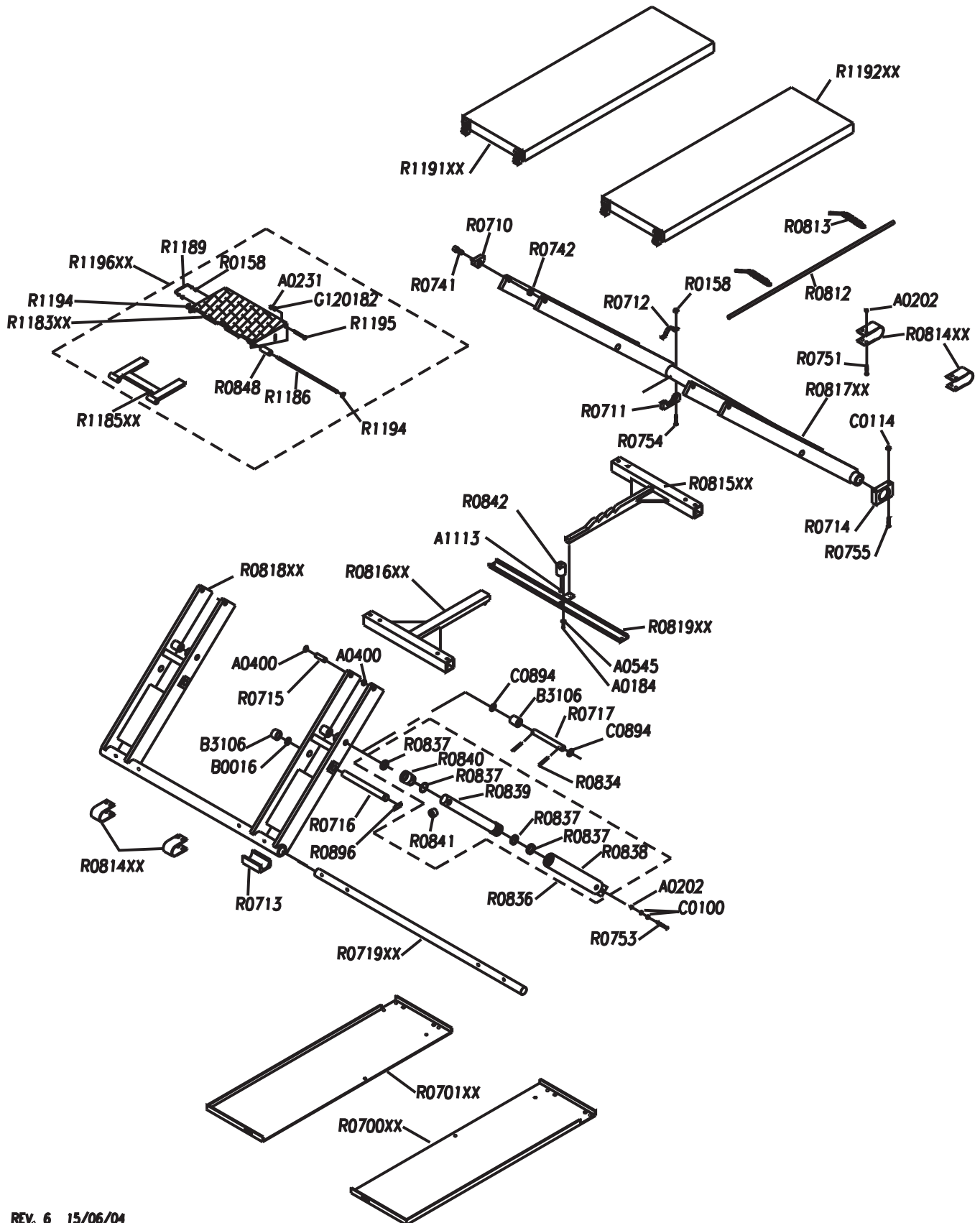
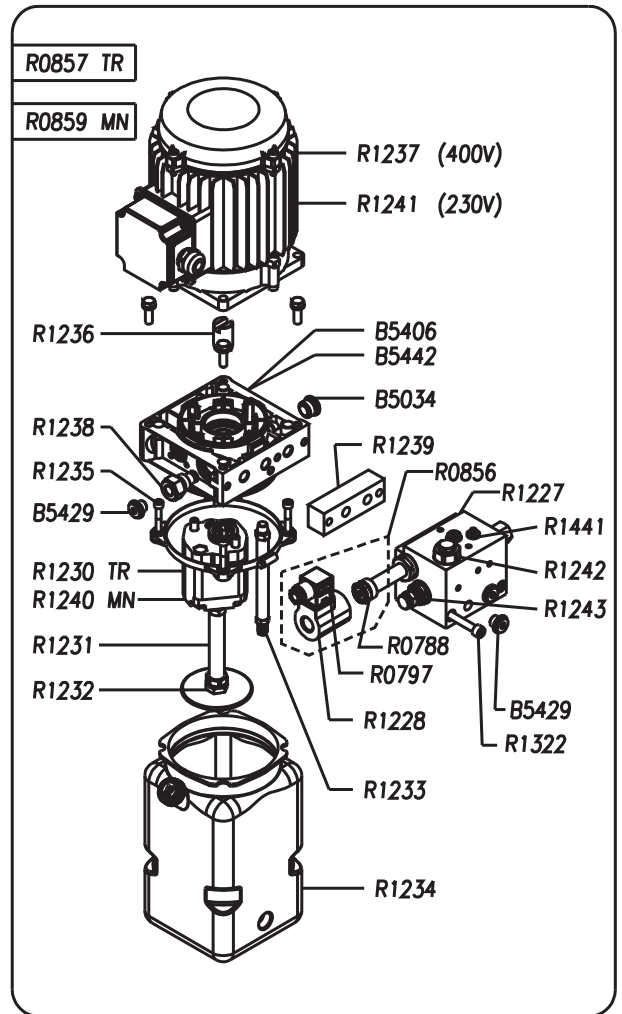
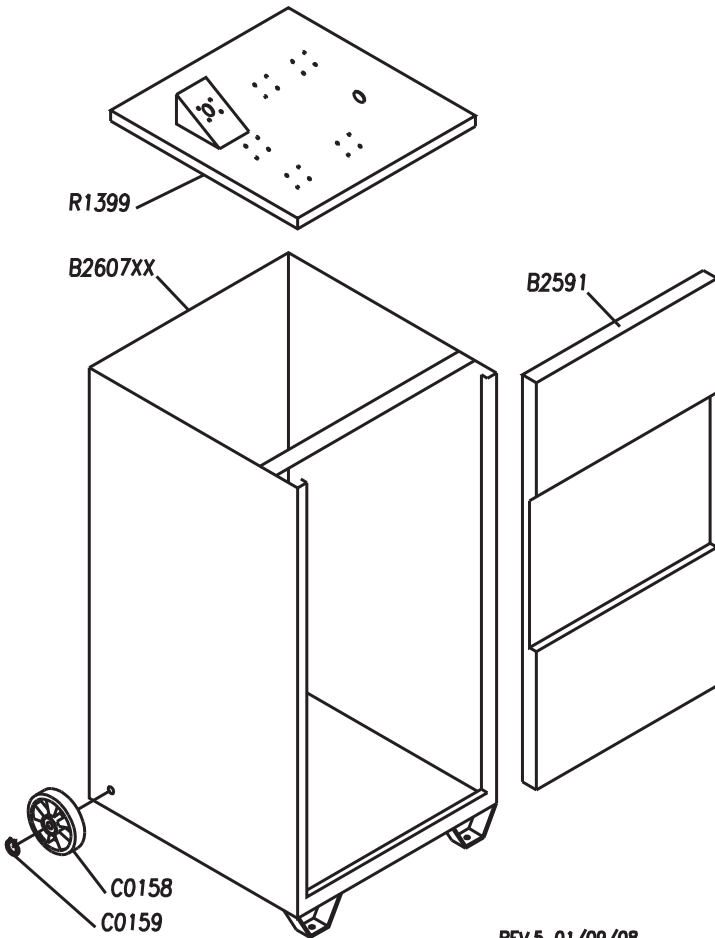
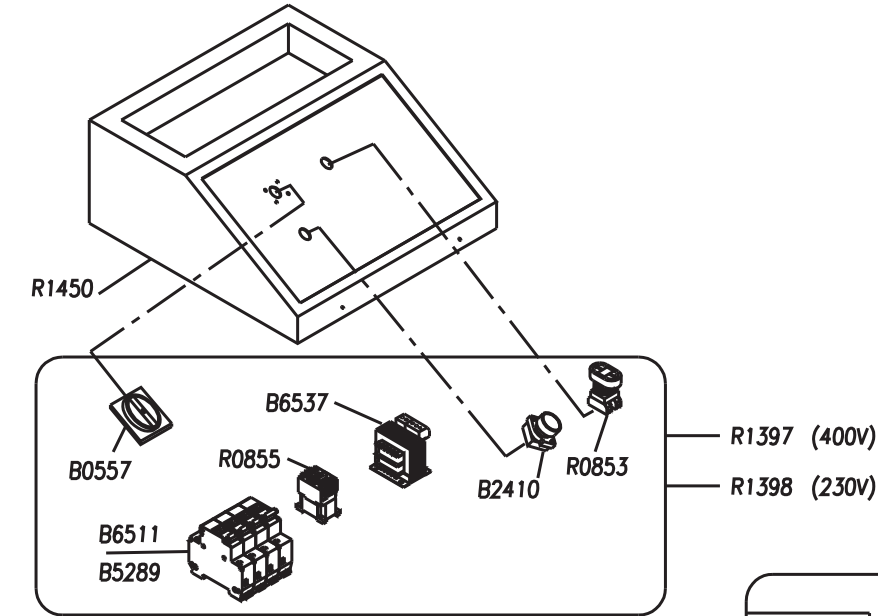


ESPLOSO SOLLEVATORE	
EXPLODED VIEW OF THE LIFT	EXPLOSIONSZEICHNUNG HEBEBÜNNE
VUE ÉCLATÉE - ÉLÉVATEUR	DESPIECE ELEVADOR

(C)2011 Werther Polska
do użytku wewnętrznego
nieautoryzowane użycie prawnie zabronione



CENTRALINA	
CONTROL UNIT	SCHALTGEHÄUSE
CENTRALE	CENTRALITA HIDRÁULICA



REV.5 01/09/08

Part Code	Sugg	Descrizione	Description	Beschreibung	Description	Denominacion
A0184		VITE TE M6X16 ZINCATA	SCREW TE M6X16 UNI 5739	SCHRAUBE TE M6 X 16 UNI 5739	VIS TH M6X16 GALVANISÉE	TORNILLO TE M6X16 ZINCADO
A0202		DADO AUTOBLOCCANTE M8 ZINCATO	GALVANIZED SELF-LOCKING NUT M8	VERZINKT S.BLOCK MUTTER M8	ÉCROU FREIN M8 GALVANISÉ	TUERCA AUTOBLOQUEADORA M8 ZINCADA
A0231		DADO ALTO M10 6S UNI 5587 ZB	NUT M10	MUTTER M10	ECROU HAUT M10 6S UNI 5587 ZB	TUERCA ALTA M10 ZINCADA
A0400		SEEGER E20 UNI 7435	SNAP RING E20 UNI 7435	SEEGER-RING E20 UNI 7435	CIRCLIPS E 20 UNI 7435	SEEGER E20 UNI 7435
A0545		RONDELLA P6 6,6X18X1,5) UNI 6593 ZB	WASHER 6 (6,6X18X1,5)	SCHEIBE 6 (6,6X18X1,5)	RONDELLEØ 6 (6,6X18X1,5)	ARANDELA PLANA Ø6 ZINCADA
A1113		GRANO M10X12 UNI 5927	DOWEL M10X12 UNI 5923	DUEBEL M10X12 UNI 7435	VIS SANS TETE M10X12	GRANO
B0016	*	CUSCINETTO 6007 ZZ	BALL BEARING 6007 ZZ	LAGER 6007 ZZ	ROULEMENT 6007 ZZ	COJINETE 6007 ZZ
B0557	*	INTERRUT.3LD1118-OTB53	MASTER SWITCH ASSEMBLY 3LD1118-OTB53	SCHALTER 3LD1118-OTB53	INTERRUPTEUR 3LD1118-OTB53	INTERRUPTOR 3LD1118-OTB53
B2410	*	LAMPADA BIANCA 24V MM25	WHITE LAMP	KONTROLLEUCHE	LAMPE POUR VOYANT LUMINEUX	LAMPARA DE SEÑALIZACION
B2591		SPORTELLO ANTERIORE ARMADIO	CABINET FRONT DOOR	VORDERE SCHRANKTÜR	VOLET ANTERIEUR ARMOIRE	PUERTA ANTERIOR ARMARIO
B2607XX		ARMADIETTO	CABINET	SCHRANK	ARMOIRE	CAJÓN
B3081		NIPPLO M-M 1/4 IDRAULICA	1/4" NIPPLES	DOPPEL GEWINDENIPPEL 1/4"	NIPPLE 1/4"	NIPLE M-M 1/4 HIDRAULICA
B3106		BOCCOLA AUTOLUBR.30X34X30	SELF-LUBRIFICATING BUSHING Ø30X34X30	SELBSTSCHMIERENDE BUCHSE D 30X34X30	DOUILLE AUTOLUBRIFIANTE Ø30X34X30	CASQUILLO AUTOLUBRIC. DIAM. 30X34X30
B5034		VITE TSPEI M8X12 UNI 5933	SCREW TSPEI M8X12 UNI 5933	SCHRAUBE TSPEI M8X12 UNI 5933	VIS TPSCE M8 X 12 UNI 5933	TORNILLO TPSCE M8X12 UNI 5933
B5289	*	FUSIBILE 10X38 1A AM	FUSE 10X38 1A AM	SCHMELZSICHERUNG 10X38 1A AM	FUSIBLE 10X38 1A AM	FUSIBILE 10X38 1A AM
B5406	*	COLLETTORE KE2000 80-250BAR	MANIFOLD	KOLLEKTOR	COLLECTEUR	COLECTOR
B5429		TAPPO DIN 908 1/4+RONDELL.RAME	PLUG	DECKEL	BOUCHON	TAPÓN
B5442	*	VALVOLA DI MASSIMA15 80-250BAR	MAX. PRESSURE VALVE15 80-250BAR	UEBERDRUCKVENTIL15 80-250BAR	CLAPET DE PRESSION MAX.15 80-250BAR	VALVULA DE MAXIMA PRESION15 80-250BAR
B6511		PORTAFUSIBILE 10X38 WIMEX PCH1	FUSE HOUSING 10X38 WIMEX PCH10X38	SCHMELZSICHERUNGHALTER	PORTE-FUSIBLE 10X38 WIMEX PCH 10X38	PORTAFUSIBLES 10X38 WIMEX PCH1
B6537	*	TRASFORMATORE 0-220-380 0-24V 50VA +/-10%	TRANSFORMER 0-230-400 0-24V 50VA	TRANSFORMATOR 0-220-380 0-24V 50VA +/-10%	TRANSFORMATEUR 0-220-380 0-24V 50VA +/-10%	TRANSFORMADOR 0-220-380 0-24V 50VA +/-10%
C0051		TUBO RILSAN Ø4/6	RYLSAN HOSEØ4/6	SCHLAUCH 6X4	TUYAU RILSAN D.6X4	TUBO RILSAN Ø6X4
C0100		RONDELLA Ø8,4X17 UNI 6592	WASHER Ø8,4X17 UNI 6592	SCHEIBE Ø8,4X17 UNI 6592	RONDELLE Ø8,4X17 UNI 6592	ARANDELA Ø8 ZINCADA
C0114		DADO BASSO M8 UNI 5589 ZB	NUT M8 UNI 5589	FLACHE MUTTER M8 UNI 5589	ECROU BAS M8 UNI 5589	TUERCA BAJA M8 ZINCADA
C0158		RUOTA GOMMATA D 125 FORO 15	RUBBER WHEEL D 125 HOLE 15	GUMMI RAD D 125, BOHRUNG 15	ROUE CAOUTCHOU D125 TROU 15	RUEDA DE GOMA D 125 AGUJERO 15
C0159		ANELLO SEEGER E15 UNI 7435	SEEGER E15 UNI 7435	SEEGER-RING E15 UNI 7435	BAGUE EXTÉRIEUR Ø15	ARO ELÁSTICO ØE 15 UNI 7435
C0630		RONDELLA IN RAME Ø14X20	COPPER WASHER Ø14X20	MUTTER M10 UNI 5588	ECROU M10 UNI 5588	TUERCA
C0894		RONDELLA P 25X44 UNI 6592 ZB	WASHER P 25X44 UNI 6592 ZB	SCHEIBE 25X44 UNI 6592 ZB	RONDELLE P 25X44 UNI 6592 ZB	ARANDELA P 25X44 UNI 6592 ZB
G120182		RONDELLA GROVER D 10 GAMMA	WASHER D10	SCHEIBE D10	RONDELLE D10	ARANDELA D10
R0158		DADO MEDIO M 8 6S UNI 5588 ZB	NUT M8	MUTTER M8	ECROU M8	TUERCA M8 UNI 5588

R0700XX		BASE 262 DX	RIGHT LOWER BASE	GRUNDRAHMEN RECHTS	TOLE INFÉRIEURE DROITE	CHAPA INFERIOR DERECHA
R0701XX		BASE 262 SX	LEFT LOWER BASE	GRUNDRAHMEN LINKS	TOLE INFÉRIEURE GAUCHE	CHAPA INFERIOR IZQUIERDA
R0710		PATTINO SUPERIORE	UPPER SLIDE PAD	OBERER GLEITER	PATIN SUPERIEUR	PATÍN SUPERIOR
R0711	*	SUPPORTO INFERIORE BRACCIO CERNIERA	ARM HINGE LOWER SUPPORT	HALTER UNTERE UNTERSTUETZUNG	SUPPORT INFÉRIEUR BRAS CHARNIERE	SOPORTE INFERIOR BRAZO CREMALLERA
R0712	*	SUPPORTO SUPERIORE BRACCIO CERNIERA	ARM HINGE UPPER SUPPORT	HALTER OBERE UNTERSTUETZUNG	SUPPORT SUPERIEUR BRAS CHARNIERE	SOPORTE SUPERIOR BRAZO CREMALLERA
R0713	*	PATTINO INFERIORE BRACCIO CERNIERA	HINGE ARM LOWER SLIDE PAD	AUFHAENGUNG UNTERER GLEITER	PATIN INFÉRIEUR BRAS CHARNIERE	PATÍN INFERIOR BRAZO CREMALLERA
R0714	*	SUPPORTO COMPLETO BRACCIO CERNIERA	HINGE ARM COMPLETE SUPPORT	LAGERBOCK UNTERER TRAVERSE	SUPPORT COMPLET BRAS CHARNIERE	SOPORTE COMPLETO BRAZO CREMALLERA
R0715		PERNO ATTACCO BRACCIO	ARM ATTACHMENT PIN	HALTEBOLZEN	AXE FIXATION BRAS	PERNO CONEXIÓN BRAZO
R0716		PERNO BRACCI	ARM PIN	BOLZEN	AXE BRAS	PERNO BRAZO
R0717		PERNO ATTACCO CILINDRO	CYLINDER ATTACHMENT PIN	ZYLINDER HALTEBOLZEN	AXE FIXATION VERIN	PERNO CONEXIÓN CILINDRO
R0719XX		PERNO DI TORSIONE	TORSION PIN	VERBINDER ACHSE	BARRE DE TORSION	PERNO DE TORSIÓN
R0741		VITE TCCE M16X40 UNI 5931	SCREW TCCE M16X40 UNI 5931	SCHRAUBE TCCE M16 X 40 UNI 5931	VIS TCCE M16X40 UNI 5931	TORNILLO TCCE M16X40 UNI 5931
R0742		DADO ALTO M16	HIGH NUT M16	MUTTER M16	ECROU HAUT M16	TUERCA ALTA M16
R0751		VITE TCEI 90° M8X80	SCREW TCEI 90° M8X80	SCHRAUBE TCEI 90° M8X80	VIS TCEI 90° M8X80	TORNILLO TCEI 90° M8X80
R0753		VITE TE M8X85	SCREW TE M8X85	SCHRAUBE TE M8X85	VIS TE M8X85	TORNILLO TE M8X85
R0754		VITE TCEI 90° M8X50	SCREW TCEI 90° M8X50	SCHRAUBE TCEI 90° M8X80	VIS TCEI 90° M8X50	TORNILLO TCEI 90° M8X50
R0755		VITE TCEI 90° M8X90	SCREW TCEI 90° M8X90	SCHRAUBE TCEI 90° M8X80	VIS TCEI 90° M8X90	TORNILLO TCEI 90° M8X90
R0763		RACCORDO RAPIDO "Y" D6	QUICK "Y" CONNECTION D6	FITTING "Y" D6	RACCORD EN "Y" D6	CONEXION "Y" D6
R0765		RACCORDO FORATO METRICO M12X1,5	DRILLED FITTING M12X1,5	GEWINDEVERSCHRAUBUNG	VIS CREUSE METRIQUE M12X1,5	RACOR AGUJERADO MÉTRICO M12X1,5
R0788	*	VALVOLA V4D-CEI-2P	VALVE	VENTIL	SOUPAPE	VÁLVULA V4D-CEI-2P
R0797		CONNETTORE+RADDRIZZATORE 230V	CONNECTOR FOR SOLENOID VALVE	ANSCHLUSS FUER MAGNETVENTIL	CONNECTEUR POUR ELECTROVANNE	CONECTOR+RECTIFICADOR 230V
R0812		SALVAPIEDI	FOOT GUARDS	FUSS-SCHUTZ	CHASSE-PIED	PROTECCIÓN PIES
R0813		MOLLA+BULLONE 10X16 SALVAP.	FOOT GUARDS SPRING-SCREW	FEDER	RESSORT+VIS	MUELLE+BULON
R0814XX		CERNIERA ATTACCO SICUREZZA	SAFETY COUPLER HINGE	AUFHÄNGUNG SPERKLINKE	CHARNIERE CREMAILLERE	CREMALLERA ENGANCHE DE SEGURIDAD
R0815XX		BRACCIO SICURA	SAFETY RACK	MECHANISCHE SICHERHEITSVORRICHTUNG	CRÉMAILLÈRE FIXE	BRAZO SEGURIDAD
R0816XX		BRACCIO AGGANCIAMENTO SICUREZZA	ENGAGING ARM	MECHANISCHE EINRASTVORRICHTUNG	CRÉMAILLÈRE MOBILE	BRAZO ENGANCHE SEGURIDAD
R0817XX		BRACCI SCORREVOLI	SLIDING ARMS	GLEITARME	BRAS AVEC SUPPORT	BRAZO CORREDIZO
R0818XX		BRACCIO SCORREVOLE	SLIDING ARM	GLEITARM/ZYLINDERHALTETRAVERS E	BRAS COULISSANT	BRAZO CORREDERO
R0819XX		TRAVERSA SUPPORTO CILINDRO SICUREZZA	SAFETY RACK CYLINDER HOLDING BEAM	SICHERHEITSVORRICHTUNG	SUPPORT VÉRIN SÉCURITÉ	TRAVIESA SOPORTE CILINDRO SEGURIDAD

R0821		VITE FORATA DOPPIA 1/4	HOLED SCREW	SCHRAUBE	BOUCHON RENIFLARD	TORNILLO CON ORIFICIO
R0823		TUBO 3/16 1/4ORI.12X1,5 ORI	HOSE	SCHLAUCH	TUYAU	TUBO
R0824		TUBO 3/16 1/4ORI.12X1,5 ORI	HOSE 3/16	SCHLAUCH 3/16	TUYAU 3/16	TUBO 3/16
R0825		TUBO 3/16 1/8FG-1/4FG 90Ø	HOSE	SCHLAUCH	TUYAU	TUBO
R0826		RONDELLA RAME 1/8"	WASHER	KUPFERSCHEIBE	RONDELLE CUIVRE	ARANDELA
R0834		COPIGLIA EL D6,3X40 UNI 1336	ELASTIC SPLIT PIN D6,3X40 UNI 1336	SPLINT D. D6,3X40 UNI 1336	GOUPILLE ÉLAST. D6,3X40 UNI 1336	CLAVIJA ELÁSTICA D6,3X40 UNI 1336
R0836		CILINDRO IDRAULICO	CYLINDER	ZYLINDER	VÉRIN	CILINDRO
R0837	*	KIT GUARNIZ.CIL.262	GASKETS KIT	DICHTUNGSSATZ	JEU DE JOINTS	JUEGO DE JUNTAS
R0838		CAMICIA CILINDRO	CYLINDER LINER	ZYLINDERROHR	CHEMISE CYLINDRE	FORRO CILINDRO
R0839		STELO+PISTONE	PISTON+ROD	KOLBENSTAGE UND KOLBEN	TIGE+PISTON	VÁSTAGO+PISTÓN
R0840		TESTATA CILINDRO	CYLINDER HEAD	ZYLINDERKOPF	TÊTE VÉRIN	CABEZAL CILINDRO
R0841		BOCCOLA AUTOLUBR.25X28X35 262	SELF LUBRICATING BUSHING	SELBSTSCHMIERENDE BUCHSE	DOUILLE AUTOLUBRIFIANTE	CASQUILLO AUTOLUBRIC.
R0842		CILINDRO IDR.SIC.262 1FOR+SCAR	COMPLETE CYLINDER	ZYLINDER KOMPLET	VERIN COMPLET	CILINDRO HIDRAUL.COMPL.
R0848		RULLO RAMPA BASCULANTE	BALANCE RAMP ROLLER	FFUEHRUNGSBUCHSE	ROULEAU RAMPE BASCULANTE	RODILLO RAMPA BASCULANTE
R0853	*	PULSANTE 3 CONTATTI	PUSH BUTTON WITH CONTACT	KNOPF+KONTAKTGEBER	POUSSOIR	PULSADOR CON CONTACTO
R0855	*	TELERUTTORE AEG 4KW 24AC	CONTACTOR AEG 4KW 24AC	FERNSCHALTER AEG 4KW 24AC	TÉLÉRUPTEUR AEG 4KW 24AC	CONTACTO AEG 4KW 24AC
R0856	*	ELETTROVALVOLA V4D 24V COMPL 262	ELECTRO-VALVE V4D 24V	ELEKTROVENTIL V4D 24V	ELECTROVANNE V4D 24V	ELECTROVÁLVULA V4D 24V
R0857		CENTRALINA 400/50T 262 2004	HYDR.POWER UNIT 400/50T	HYDRAULIK GERAET 400/50T	CENTRALE HYDRAULIQUE 400/50T	CENTRALITA OLEODINÁMICA 400/50T
R0859		CENTRALINA 230/50M 262 2004	HYDR.POWER UNIT 230/50M	HYDRAULIK GERAET 230/50M	CENTRALE HYDRAULIQUE 230/50M	CENTRALITA OLEODINÁMICA 230/50M
R0896		FERMO PERNO BRACCIO 262 ZG				
R1183XX		RAMPA BASCULANTE	RAMP	RAMPE	RAMPE	RAMPA
R1185XX		PUNTONE X RAMPA	STRUT	STREBE	POUSSARD	POSTE
R1186		PERNO X RAMPA ZB	PIN	STIFT	AXE	PERNO
R1189		MANIGLIA RAMPA	HANDLE	HANDGRIFF	POIGNEE	ASA
R1191XX		PEDANA SUPERIORE DX	RIGHT UPPER PLATFORM	AUFNAHMEPLATTFORM RECHTS	PLATE-FORME SUPERIEURE DROITE	PLATAFORMA SUPERIOR DERECHA
R1192XX		PEDANA SUPERIORE SX	LEFT UPPER PLATFORM	AUFNAHMEPLATTFORM LINKS	PLATE-FOR,ME SUPERIEURE GAUCHE	PLATAFORMA SUPERIOR IZQUIERDA
R1194		SEEGER E11 UNI 7435	SEEGER RING E11 UNI 7435	SEEGER E11 UNI 7435	BAGUE E11 UNI 7435	SEEGER E11 UNI 7435
R1195		VITE TE M10X100 PF UNI 5737 ZB	SCREW TE M10X100 PF UNI 5737 ZB	SECHSKANTSCHRAUBE M10X100 PF UNI 5737 ZB	VIS TH M10X100 PF UNI 5737 ZB	TORNILLO M10X100 PF UNI 5737 ZB
R1196XX		KIT RAMPA BASCULANTE	KIT BALANCE RAMP	AUFFAHR RAMPE	KIT RAMPE BASCULANTE	KT RAMPA BASCULANTE IZQ.
R1227		BLOCCHETTO ELETTRO VALVOLE 262	ELECTROVALVE BLOCK	BLOCK ELEKTROVENTIL	BLOC ÉLECTROVANNES	BLOQUE DE ELECTROVÁLVULAS
R1228	*	BOBINA ELETTRO VALVOLA 24V 262	ELECTRO VALVE COIL	SPULE ELEKTROVENTIL	BOBINE ELECTROVANNE	BOBINA ELECTROVÁLVULA
R1230		POMPA 3,2CC 262/TR	PUMP 3,2CC	PUMPE 3,2CC	POMPE 3,2CC	BOMBA 3,2CC

R1231		TUBO ASPIRAZIONE CENT.262	SUCTION PIPE	ANSAUGROHR	TUBE ASPIRATION	TUBO ASPIRACION
R1232		FILTRO FUNGO □80 3/8" CENT.262	FILTER	FILTER	FILTRE	FILTRO
R1233		TUBO SCARICO CENT	EXHAUST PIPE	ABLASS-SCHLAUCH	TUYAU ÉVACUATION	TUBO DE DESCARGA
R1234		SERBATOIO PVC 2,5L CENT.262	TANK	BEÄHELTER	RÉSERVOIR	DEPOSITO
R1235		KIT ASSEMBLAGGIO SERBATOIO 262	KIT ASSEMBLAGE TANK	INSTALLATIONSSATZ-MONTAGE BEHÄLTER	KIT D'ASSEMBLAGE RÉSERVOIR	KIT ENSAMBLADURA DEL DEPOSITO
R1236		GIUNTO TRASC.POMPA CEN.262	CONNECTING PUMP	GELENK PUMPE	ACCOUPEMENT DE POMPE	ACOPAMIENTO BOMBA
R1237	*	MOTORE KW2,2 230-400/50T	MOTOR KW2,2 230-400/50T	ELEKTRO-MOTOR KW2,2 230-400/50T	MOTEUR ÉLECTRIQUE KW2,2 230-400/50T	MOTOR ELÉCTRICO KW2,2 230-400/50T
R1238		TAPPO PER CAVITA'1/4" CENT.262	PLUG	DECKEL	BOUCHON	TAPÓN
R1239		BLOCCHETTO DISTANZ.CEN.262	BLOCK	BLOCK	CORPS	BLOQUE
R1240		POMPA 2,6CC 262/MN	PUMP 2,6CC	PUMPE 2,6CC	POMPE 2,6CC	BOMBA 2,6CC
R1241	*	MOTORE KW2,2 230/50M	ELECTRIC MOTOR KW2,2 230/50M	ELEKTRO-MOTOR KW2,2 230/50M	MOTEUR ÉLECTRIQUE KW2,2 230/50M	MOTOR ELÉCTRICO KW2,2 230/50M
R1242		VALVOLA VUP30-SE	VALVE VUP30-SE	VENTIL VUP30-SE	SOUPAPE VUP30-SE	VÁLVULA VUP30-SE
R1243	*	VALVOLA MAX VM15 30-120 BAR	MAX. PRESSURE VALVE VM15 30-120 BAR	UEBERDRUCKVENTIL VM15 30-120 BAR	CLAPET DE PRESSION MAX.VM15 30-120 BAR	VALVULA DE MAXIMA PRESION VM15 30-120 BAR
R1322		VITE TCCE M8X105 UNI 5931 ZB	SCREW TCCE M8X105 UNI 5931 ZB	SCHRAUBE TCCE M8X105 UNI 5931 ZB	VIS TCCE M8X105 UNI 5931 ZB	TORNILLO TCCE M8X105 UNI 5931 ZB
R1397		QUADRO/T 400/50 262 2008	ELECTRIC BOX	KASTEN DREHSTROM	COFFRET ÉLECTRIQUE	CUADRO ELÉCTRICO
R1398		QUADRO/M 230/50-60 262 2008	ELECTRIC BOX	KASTEN EINPHASE	COFFRET ÉLECTRIQUE	CUADRO ELÉCTRICO
R1399		SUPPORTO COMPONENTI ELETTRICI 262	SUPPORT ELECTRICAL COMPONENTS	UNTERSTÜTZUNG ELEKTRISCHEN KOMPONENTEN	SOUTIEN COMPOSANTS ÉLECTRIQUES	APOYO COMPONENTES ELÉCTRICOS
R1441	*	VALVOLA EMERGENZA CENT.262	VALVE	VENTIL	SOUPAPE	VÁLVULA
R1450		PLANCIA COMANDO	CONTROL PANEL	INSTRUMENTENTAFEL	PANNEAU FRONTAL	TABLERO DE MANDOS
R2205		RONDELLA IN RAME Ø12X18X1.5	COPPER WASHER	KUPFER-UNTERLEGSCHIEBE	RONDELLE EN CUIVRE	ARANDELA EN RAME
Z_RICAMBI		* = RICAMBI CONSIGLIATI	* = RECOMMENDED SPARE PARTS	* = EMPFOHLENE E-TEILE	* = PIÉCES DE RECHANGE CONSEILLÉES	* = REPUESTOS ACONSEJAIOS